

(12) INTERNATIONAL APPLICATION PUBLISHED UNDER THE PATENT COOPERATION TREATY (PCT)

(19) World Intellectual Property
Organization
International Bureau



(43) International Publication Date
6 January 2005 (06.01.2005)

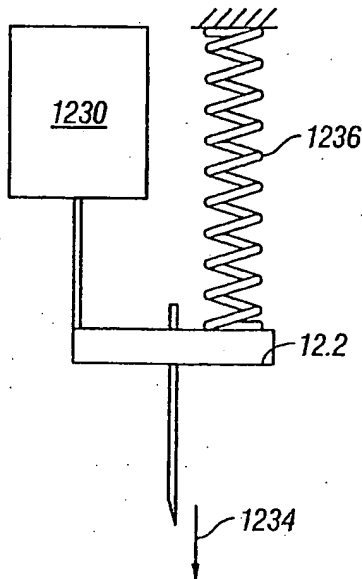
PCT

(10) International Publication Number
WO 2005/001418 A2

- (51) International Patent Classification⁷: G01N Don [US/US]; 1312 Nelson Way, Sunnyvale, CA 94087 (US). SHUMANN, Matt [GB/GB]; The Old Horse Yard, Comberton Road Toft, Cambridge CB3 7RY (GB). BEADMAN, Mike [GB/GB]; The Old Horse Yard, Comberton Road Toft, Cambridge CB3 7RY (GB).
- (21) International Application Number: PCT/US2004/017063
- (22) International Filing Date: 28 May 2004 (28.05.2004)
- (25) Filing Language: English
- (26) Publication Language: English
- (30) Priority Data:
10/452,815 30 May 2003 (30.05.2003) US
60/474,915 30 May 2003 (30.05.2003) US
10/613,517 3 July 2003 (03.07.2003) US
- (71) Applicant (for all designated States except US): PELIKAN TECHNOLOGIES, INC. [US/US]; 1072 East Meadow Circle, Palo Alto, CA 94303 (US).
- (72) Inventors; and
(73) Inventors/Applicants (for US only): BOECKER, Dirk [DE/US]; 1652 Castilleja Avenue, Palo Alto, CA 94306 (US). FREEMAN, Dominique, M. [GB/US]; 4545 La Honda Road, La Honda, CA 94020 (US). ALDEN,
- (74) Agent: TUNG, Hao, Y.; Heller Ehrman White & McAuliffe LLP, 275 Middlefield Road, Menlo Park, CA 94025-3506 (US).
- (81) Designated States (unless otherwise indicated, for every kind of national protection available): AE, AG, AL, AM; AT, AU, AZ, BA, BB, BG, BR, BW, BY, BZ, CA, CH, CN, CO, CR, CU, CZ, DE, DK, DM, DZ, EC, EE, EG, ES, FI, GB, GD, GE, GH, GM, HR, HU, ID, IL, IN, IS, JP, KE, KG, KP, KR, KZ, LC, LK, LR, LS, LT, LU, LV, MA, MD, MG, MK, MN, MW, MX, MZ, NA, NI, NO, NZ, OM, PG, PH, PL, PT, RO, RU, SC, SD, SE, SG, SK, SL, SY, TJ, TM, TN, TR, TT, TZ, UA, UG, US, UZ, VC, VN, YU, ZA, ZM, ZW.
- (84) Designated States (unless otherwise indicated, for every kind of regional protection available): ARIPO (BW, GH, GM, KE, LS, MW, MZ, NA, SD, SL, SZ, TZ, UG, ZM, ZW), Eurasian (AM, AZ, BY, KG, KZ, MD, RU, TJ, TM), European (AT, BE, BG, CH, CY, CZ, DE, DK, EE, ES, FI,

[Continued on next page]

(54) Title: METHOD AND APPARATUS FOR BODY FLUID SAMPLING AND ANALYTE SENSING



(57) Abstract: A body fluid sampling system is provided for use on a tissue site. In one embodiment, the system comprises a cartridge; a penetrating member driver; a plurality of penetrating members arranged in a radial configuration on the cartridge wherein sharpened distal tips of the penetrating members point radially outward; wherein an active one of the penetrating members may be operatively coupled to the penetrating member driver, the penetrating member driver moving the active one along a path out of a housing having a penetrating member exit, into the tissue site, stopping in the tissue site, and withdrawing out of the tissue site; and a plurality of analyte detecting members, wherein at least one of the analyte detecting members is positioned to receive fluid from a wound created by the active one of the penetrating members, wherein the detecting members are not pierced by the active one of the penetrating members.

WO 2005/001418 A2

WO 2005/001418 A2



FR, GB, GR, HU, IE, IT, LU, MC, NL, PL, PT, RO, SE, SI,
SK, TR), OAPI (BF, BJ, CF, CG, CI, CM, GA, GN, GQ,
GW, ML, MR, NE, SN, TD, TG).

For two-letter codes and other abbreviations, refer to the "Guidance Notes on Codes and Abbreviations" appearing at the beginning of each regular issue of the PCT Gazette.

Published:

— *without international search report and to be republished upon receipt of that report*

METHOD AND APPARATUS FOR BODY FLUID SAMPLING AND ANALYTE SENSING

5

BACKGROUND OF THE INVENTION

Lancing devices are known in the medical health-care products industry for piercing the skin to produce blood for analysis. Typically, a drop of blood for this type of analysis is obtained by making a small incision in the fingertip, creating a small wound, which generates a small blood droplet on the surface of the skin.

10 Early methods of lancing included piercing or slicing the skin with a needle or razor. Current methods utilize lancing devices that contain a multitude of spring, cam and mass actuators to drive the lancet. These include cantilever springs, diaphragms, coil springs, as well as gravity plumbs used to drive the lancet. The device may be held against the skin and mechanically triggered to ballistically launch the lancet.

15 Unfortunately, the pain associated with each lancing event using known technology discourages patients from testing. In addition to vibratory stimulation of the skin as the driver impacts the end of a launcher stop, known spring based devices have the possibility of firing lancets that harmonically oscillate against the patient tissue, causing multiple strikes due to recoil. This recoil and multiple strikes of the lancet is one major impediment to patient compliance with a structured glucose monitoring regime.

20 Another impediment to patient compliance is the lack of spontaneous blood flow generated by known lancing technology. In addition to the pain as discussed above, a patient may need more than one lancing event to obtain a blood sample since spontaneous blood generation is unreliable using known lancing technology. Thus the pain is multiplied by the number of attempts required by a patient to successfully generate spontaneous blood flow. Different skin thickness may yield different results in terms of pain perception, blood yield and success rate of obtaining blood between different users of the lancing device. Known devices poorly account for these skin thickness variations.

30 A still further impediment to improved compliance with glucose monitoring are the many steps and inconvenience associated with each lancing event. Many diabetic patients that are insulin dependent may need to self-test for blood glucose levels five to

six times daily. The large number of steps required in traditional methods of glucose testing, ranging from lancing, to milking of blood, applying blood to a test strip, and getting the measurements from the test strip, discourages many diabetic patients from testing their blood glucose levels as often as recommended. Older patients and those with
5 deteriorating motor skills encounter difficulty loading lancets into launcher devices, transferring blood onto a test strip, or inserting thin test strips into slots on glucose measurement meters. Additionally, the wound channel left on the patient by known systems may also be of a size that discourages those who are active with their hands or who are worried about healing of those wound channels from testing their glucose levels.

10

SUMMARY OF THE INVENTION

The present invention provides solutions for at least some of the drawbacks discussed above. Specifically, some embodiments of the present invention provide a multiple lancet solution to measuring analyte levels in the body. The invention may use a
15 high density design. The invention may provide a plurality of analyte detecting members used to sample fluid from tissue. At least some of these and other objectives described herein will be met by embodiments of the present invention.

In one aspect of the present invention, a body fluid sampling system is provided for use on a tissue site. In one embodiment, the system comprises a cartridge; a
20 penetrating member driver; a plurality of penetrating members arranged in a radial configuration on the cartridge wherein sharpened distal tips of the penetrating members point radially outward; wherein an active one of the penetrating members may be operatively coupled to the penetrating member driver, the penetrating member driver moving the active one along a path out of a housing having a penetrating member exit,
25 into the tissue site, stopping in the tissue site, and withdrawing out of the tissue site; and a plurality of analyte detecting members, wherein at least one of the analyte detecting members is positioned to receive fluid from a wound created by the active one of the penetrating members, wherein the detecting members are not pierced by the active one of the penetrating members.

30

In one embodiment of the present invention, a body fluid sampling system for use on a tissue site is provided. The system comprises a cartridge; a penetrating member driver; a plurality of penetrating members, each having a proximal end, an elongate

portion, and a sharpened distal end, the members arranged in a radial configuration on the cartridge wherein sharpened distal tips of the penetrating members point radially outward; wherein an active one of the penetrating members may be operatively coupled to the penetrating member driver, the penetrating member driver moving the active one along a path out of a housing having a penetrating member exit, into the tissue site, stopping in the tissue site, and withdrawing out of the tissue site; and a plurality of analyte detecting members, wherein at least one of the analyte detecting members is positioned to receive fluid from a wound created by the active one of the penetrating members; wherein the unused analyte detecting members are arranged in a stack, the penetrating member driver configured to be controlled to follow a velocity trajectory into the tissue and out of the tissue, wherein the velocity into the tissue is at an average speed greater than an average speed of the penetrating member on the withdrawal.

In another embodiment of the present invention, a body fluid sampling system for use on a tissue site is provided. The system comprises a cartridge; a penetrating member driver; a plurality of penetrating members arranged in a radial configuration on the cartridge wherein sharpened distal tips of the penetrating members point radially outward; wherein an active one of the penetrating members may be operatively coupled to the penetrating member driver, the penetrating member driver moving the active one along a path out of a housing having a penetrating member exit, into the tissue site, stopping in the tissue site, and withdrawing out of the tissue site; and a plurality of analyte detecting members, wherein at least one of the analyte detecting members is positioned to receive fluid from a wound created by the active one of the penetrating members, wherein the detecting members are not pierced by the active one of the penetrating members; a position sensor positioned to provide an indication of a position of the penetrating member during actuation.

In yet another embodiment of the present invention, a body fluid sampling system for use on a tissue site is provided. The system comprises a cartridge; a penetrating member driver; a plurality of penetrating members arranged in a radial configuration on the cartridge wherein sharpened distal tips of the penetrating members point radially outward; wherein an active one of the penetrating members may be operatively coupled to the penetrating member driver, the penetrating member driver moving the active one along a path out of a housing having a penetrating member exit, into the tissue site,

stopping in the tissue site, and withdrawing out of the tissue site; and a plurality of analyte detecting members, wherein at least one of the analyte detecting members is positioned to receive fluid from a wound created by the active one of the penetrating members, wherein the detecting members are not pierced by the active one of the penetrating members; a coupler on the penetrating member driver configured to engage at least a portion of the elongate portion of the penetrating member and drive the member along a path into a tissue site and withdrawn from a tissue site.

In a still further another embodiment of the present invention, a body fluid sampling system for use on a tissue site is provided. The system comprises a cartridge; a penetrating member driver; a plurality of penetrating members arranged in a radial configuration on the cartridge wherein sharpened distal tips of the penetrating members point radially outward; wherein an active one of the penetrating members may be operatively coupled to the penetrating member driver, the penetrating member driver moving the active one along a path out of a housing having a penetrating member exit, into the tissue site, stopping in the tissue site, and withdrawing out of the tissue site; and a plurality of analyte detecting members, wherein at least one of the analyte detecting members is positioned to receive fluid from a wound created by the active one of the penetrating members, wherein the detecting members are not pierced by the active one of the penetrating members; a sterility enclosure covering at least a tip of the penetrating member, the sterility enclosure removed from the penetrating member prior to actuation of the member and positioned so that the penetrating member will not contact the enclosure during actuation.

In another embodiment of the present invention, a body fluid sampling system for use on a tissue site is provided. The system comprises a cartridge; a penetrating member driver; a plurality of penetrating members arranged in a radial configuration on the cartridge wherein sharpened distal tips of the penetrating members point radially outward; wherein an active one of the penetrating members may be operatively coupled to the penetrating member driver, the penetrating member driver moving the active one along a path out of a housing having a penetrating member exit, into the tissue site, stopping in the tissue site, and withdrawing out of the tissue site; and a plurality of analyte detecting members, wherein at least one of the analyte detecting members is positioned to receive fluid from a wound created by the active one of the penetrating members, wherein the

detecting members are not pierced by the active one of the penetrating members; a user interface for transmitting at least one input between a user.

In one aspect, a body fluid sampling device is provided using a penetrating member to extract fluid from an anatomical feature. The device comprises a penetrating member actuator for moving the penetrating member inbound towards the anatomical feature and a non-spring based, penetrating member retractor for moving the penetrating member outbound away from the anatomical feature. The penetrating member actuator may be adapted to move the penetrating member at a velocity greater than a velocity achieved by the penetrating member retractor.

In another embodiment of the present invention, a body fluid sampling device is provided for extracting bodily fluid from an anatomical feature. The device comprises a cartridge having a plurality of cavities. The device may also include a plurality of penetrating members, each slidably movable between a first position and a second position to extend outward from the cartridge to penetrate the anatomical feature. The device may further include a penetrating member driver structured to selectively and independently engage the penetrating members, the driver comprising a first resilient member for moving an active one of the penetrating members on an inbound path toward the anatomical feature to create a wound, and a second resilient member for moving the active one of the penetrating members on an outbound path away from the wound.

In yet another embodiment, a body fluid sampling device is provided using a penetrating member to extract fluid from an anatomical feature. The device comprises a penetrating member driver, the driver selected from one of the following: a motor and gear box, a nanomuscle, pneumatic device, a liquid magnetic coil actuation device, a stepper motor, a micro-clutch device, and an inductive motor. The device may also include a penetrating coupler attached to the driver, the coupler for releasably connecting the penetrating member to the driver.

The system may further comprise means for coupling the force generator with one of the penetrating members.

The system may further comprise a penetrating member sensor positioned to monitor a penetrating member coupled to the force generator, the penetrating member sensor configured to provide information relative to a depth of penetration of a penetrating member through a skin surface.

The depth of penetration may be about 100 to 2500 microns.

The depth of penetration may be about 500 to 750 microns.

The depth of penetration may be, in this nonlimiting example, no more than about 1000 microns beyond a stratum corneum thickness of a skin surface.

5 The depth of penetration may be no more than about 500 microns beyond a stratum corneum thickness of a skin surface.

The depth of penetration may be no more than about 300 microns beyond a stratum corneum thickness of a skin surface.

10 The depth of penetration may be less than a sum of a stratum corneum thickness of a skin surface and 400 microns.

The penetrating member sensor may be further configured to control velocity of a penetrating member.

The active penetrating member may move along a substantially linear path into the tissue.

15 The active penetrating member may move along an at least partially curved path into the tissue.

The driver may be a voice coil drive force generator.

The driver may be a rotary voice coil drive force generator.

20 The penetrating member sensor may be coupled to a processor with control instructions for the penetrating member driver.

The processor may include a memory for storage and retrieval of a set of penetrating member profiles utilized with the penetrating member driver.

The processor may be utilized to monitor position and speed of a penetrating member as the penetrating member moves in a first direction.

25 The processor may be utilized to adjust an application of force to a penetrating member to achieve a desired speed of the penetrating member.

The processor may be utilized to adjust an application of force to a penetrating member when the penetrating member contacts a target tissue so that the penetrating member penetrates the target tissue within a desired range of speed.

30 The processor may be utilized to monitor position and speed of a penetrating member as the penetrating member moves in the first direction toward a target tissue.

wherein the application of a launching force to the penetrating member is controlled based on position and speed of the penetrating member.

The processor may be utilized to control a withdraw force to the penetrating member so that the penetrating member moves in a second direction away from the target tissue.

In the first direction, the penetrating member may move toward the target tissue at a speed that is different than a speed at which the penetrating member moves away from the target tissue.

In the first direction the penetrating member may move toward the target tissue at a speed that is greater than a speed at which the penetrating member moves away from the target tissue.

The speed of a penetrating member in the first direction may be the range of about 2.0 to 10.0 m/sec.

The average velocity of the penetrating member during a tissue penetration stroke in the first direction may be about 100 to about 1000 times greater than the average velocity of the penetrating member during a withdrawal stroke in a second direction.

A further understanding of the nature and advantages of the invention will become apparent by reference to the remaining portions of the specification and drawings.

20

BRIEF DESCRIPTION OF THE DRAWINGS

Figure 1 is a perspective view illustrating a system, according to an embodiment for use in piercing skin to obtain a blood sample;

Figure 2 is a plan view of a portion of a replaceable penetrating member cartridge forming part of the system;

Figure 3 is a cross-sectional end view on 3-3 in Figure 2;

Figure 4 is a cross-sectional end view on 4-4 in Figure 2;

Figure 5 is a perspective view of an apparatus forming part of the system and used for manipulating components of the cartridge, illustrating pivoting of a penetrating member accelerator in a downward direction;

Figure 6A is a view similar to Figure 5, illustrating how the cartridge is rotated or advanced;

Figure 6B is a cross-sectional side view illustrating how the penetrating member accelerator allows for the cartridge to be advanced;

Figure 7A and 7B are views similar to Figures 6A and 6B, respectively, illustrating pivoting of the penetrating member accelerator in an opposite direction to engage with a select one of the penetrating members in the cartridge;

Figures 8A and 8B are views similar to Figures 7A and 7B, respectively, illustrating how the penetrating member accelerator moves the selected penetrating member to pierce skin;

Figures 9A and 9B are views similar to Figures 8A and 8B, respectively, illustrating how the penetrating member accelerator returns the penetrating member to its original position;

Figure 10 is a block diagram illustrating functional components of the apparatus; and

Figure 11 is an end view illustrating a cartridge according to an optional embodiment that allows for better adhesion of sterilization barriers.

Figure 12 is a cross-sectional view of an embodiment having features of the invention.

Figure 13 is a cross-sectional view of an embodiment having features of the invention in operation.

Figure 14 is a cross-sectional view illustrating a low-friction coating applied to one penetrating member contact surface.

Figure 15 is a cross-sectional view illustrating a coating applied to one penetrating member contact surface which increases friction and improves the microscopic contact area between the penetrating member and the penetrating member contact surface.

Figure 16 illustrates a portion of a penetrating member cartridge having an annular configuration with a plurality of radially oriented penetrating member slots and a distal edge of a drive member disposed in one of the penetrating member slots.

Figure 17 is an elevational view in partial longitudinal section of a coated penetrating member in contact with a coated penetrating member contact surface.

Figure 18 illustrates an embodiment of a lancing device having features of the invention.

Figure 19 is a perspective view of a portion of a penetrating member cartridge base plate having a plurality of penetrating member slots and drive member guide slots disposed radially inward of and aligned with the penetrating member slots.

Figures 20-22 illustrate a penetrating member cartridge in section, a drive member, a penetrating member and the tip of a patient's finger during three sequential phases of a lancing cycle.

Figure 23 illustrates an embodiment of a penetrating member cartridge having features of the invention.

Figure 24 is an exploded view of a portion of the penetrating member cartridge of Figure 12.

Figures 25 and 26 illustrate a multiple layer sterility barrier disposed over a penetrating member slot being penetrated by the distal end of a penetrating member during a lancing cycle.

Figures 27 and 28 illustrate an embodiment of a drive member coupled to a driver wherein the drive member includes a cutting member having a sharpened edge which is configured to cut through a sterility barrier of a penetrating member slot during a lancing cycle in order for the drive member to make contact with the penetrating member.

Figures 29 and 30 illustrate an embodiment of a penetrating member slot in longitudinal section having a ramped portion disposed at a distal end of the penetrating member slot and a drive member with a cutting edge at a distal end thereof for cutting through a sterility barrier during a lancing cycle.

Figures 31-34 illustrate drive member slots in a penetrating member cartridge wherein at least a portion of the drive member slots have a tapered opening which is larger in transverse dimension at the top of the drive member slot than at the bottom of the drive member slot.

Figures 35-37 illustrate an embodiment of a penetrating member cartridge and penetrating member drive member wherein the penetrating member drive member has a contoured jaws configured to grip a penetrating member shaft.

Figures 38 and 39 show a portion of a lancing device having a lid that can be opened to expose a penetrating member cartridge cavity for removal of a used penetrating member cartridge and insertion of a new penetrating member cartridge.

Figures 40 and 41 illustrate a penetrating member cartridge that has penetrating member slots on both sides.

Figures 42-44 illustrate end and perspective views of a penetrating member cartridge having a plurality of penetrating member slots formed from a corrugated surface of the penetrating member cartridge.

Figures 45-48 illustrate embodiments of a penetrating member and drive member wherein the penetrating member has a slotted shaft and the drive member has a protuberance configured to mate with the slot in the penetrating member shaft.

Figure 49 is a perspective view of a cartridge according to the present invention.

Figures 50 and 51 show close-ups of outer peripheries various cartridges.

Figure 52 is a perspective view of an underside of a cartridge.

Figure 53A shows a top down view of a cartridge and the punch and pusher devices.

Figure 53B is a perspective view of one embodiment of a punch plate.

Figures 54A-54G show a sequence of motion for the punch plate, the cartridge, and the cartridge pusher.

Figures 55A-55B show cross-sections of the system according to the present invention.

Figure 56A shows a perspective view of the system according to the present invention.

Figures 56B-56D are cut-away views showing mechanisms within the present invention.

Figures 57-65B show optional embodiments according to the present invention.

Figure 66-68 shows a still further embodiment of a cartridge according to the present invention.

Figures 69A-69L show the sequence of motions associated with an optional embodiment of a cartridge according to the present invention.

Figure 70-72 show views of a sample modules used with still further embodiments of a cartridge according to the present invention.

Figure 73 shows a cartridge with a sterility barrier and an analyte detecting member layer.

Figure 74-78 show still further embodiments of analyte detecting members coupled to a cartridge.

Figures 79-84 show optional configurations for a cartridge for use with the present invention.

5 Figure 85 shows a see-through view of one embodiment of a system according to the present invention.

Figure 86 is a schematic of an optional embodiment of a system according to the present invention.

10 Figures 87A-87B show still further embodiments of cartridges according to the present invention.

Figure 88 shows a cartridge having an array of analyte detecting members.

Figures 89-90 show embodiments of illumination systems for use with the present invention.

15 Figures 91-96 show further embodiments using optical methods for analyte detection.

Figure 97 shows a chart of varying penetrating member velocity in different parts of the tissue.

Figures 98 and 99 show schematic views of penetrating member drivers according to the present invention.

20 Figure 100 shows a penetrating member driver according to the present invention for use with a cartridge containing a plurality of penetrating members.

Figures 101 and 102 show a penetrating member driver using a magnetically controllable fluid device.

Figures 103-104 show embodiments of an improved penetrating member.

25 Figures 105-109 shows a penetrating member driver using a spring and a non-spring based retractor device.

Figure 110 shows an embodiment of a damper according to the present invention.

Figures 111-116 shows a cartridge and a penetrating member driver according to the present invention.

30 Figures 117 and 118 show penetrating member drivers according to the present invention.

Figures 119-120 show a depth setting device according to the present invention.

Figure 121 shows a cam groove according to the present invention.

Figures 122-124 show various penetrating member devices according to the present invention.

Figures 125A-125B show kits according to the present invention.

5 Figures 126-129 show embodiments of the present invention according to the present invention using a test strip.

Figure 130 shows one embodiment of a cartridge according to the present invention.

10 Figures 131 and 132 shows a top down view and side view of another embodiment according to the present invention.

Figures 133 and 135 show a still further embodiment of a cartridge according to the present invention.

Figure 136 shows a penetrating member device used with a stack of analyte detecting members.

15 Figure 137 shows one embodiment of a voice coil based actuator.

Figure 138 shows another embodiment of a voice coil based actuator.

Figure 139 shows another embodiment of a voice coil based actuator.

Figure 140 shows an embodiment of a voice coil based actuator with a shaped core.

20 Figure 141 illustrates a displacement over time profile of a penetrating member driven by a harmonic spring/mass system.

Figure 142 illustrates the velocity over time profile of a penetrating member driver by a harmonic spring/mass system.

25 Figure 143 illustrates a displacement over time profile of an embodiment of a controllable force driver.

Figure 144 illustrates a velocity over time profile of an embodiment of a controllable force driver.

Figure 145 is a graph of force vs. time during the advancement and retraction of a penetrating member showing some characteristic phases of a lancing cycle.

30 Figure 146 is a graph showing displacement of a penetrating member over time.

Figure 147 is a graph showing an embodiment of a velocity profile, which includes the velocity of a penetrating member over time including reduced velocity during retraction of the penetrating member.

Figure 148 is a graphical representation of position and velocity vs. time for a lancing cycle.

Figure 149 illustrates a sectional view of the layers of skin with a penetrating member disposed therein.

Figure 150 is a graphical representation of velocity vs. position of a lancing cycle.

Figure 151 is a graphical representation of velocity vs. time of a lancing cycle.

DESCRIPTION OF THE SPECIFIC EMBODIMENTS

The present invention provides a multiple analyte detecting member solution for body fluid sampling. Specifically, some embodiments of the present invention provides a multiple analyte detecting member and multiple penetrating member solution to measuring analyte levels in the body. The invention may use a high density design. It may use penetrating members of smaller size, such as but not limited to diameter or length, than known lancets. The device may be used for multiple lancing events without having to remove a disposable from the device. The invention may provide improved sensing capabilities. At least some of these and other objectives described herein will be met by embodiments of the present invention.

It is to be understood that both the foregoing general description and the following detailed description are exemplary and explanatory only and are not restrictive of the invention, as claimed. It must be noted that, as used in the specification and the appended claims, the singular forms "a", "an" and "the" include plural referents unless the context clearly dictates otherwise. Thus, for example, reference to "a material" may include mixtures of materials, reference to "a chamber" may include multiple chambers, and the like. References cited herein are hereby incorporated by reference in their entirety, except to the extent that they conflict with teachings explicitly set forth in this specification.

In this specification and in the claims which follow, reference will be made to a number of terms which shall be defined to have the following meanings:

"Optional" or "optionally" means that the subsequently described circumstance may or may not occur, so that the description includes instances where the circumstance

occurs and instances where it does not. For example, if a device optionally contains a feature for analyzing a blood sample, this means that the analysis feature may or may not be present, and, thus, the description includes structures wherein a device possesses the analysis feature and structures wherein the analysis feature is not present.

5 “Analyte detecting member” refers to any use, singly or in combination, of chemical test reagents and methods, electrical test circuits and methods, physical test components and methods, optical test components and methods, and biological test reagents and methods to yield information about a blood sample. Such methods are well known in the art and may be based on teachings of, e.g. Tietz Textbook of Clinical
10 Chemistry, 3d Ed., Sec. V, pp. 776-78 (Burtis & Ashwood, Eds., W.B. Saunders Company, Philadelphia, 1999); U.S. Pat. No. 5,997,817 to Chrismore et al. (Dec. 7, 1999); U.S. Pat. No. 5,059,394 to Phillips et al. (Oct. 22, 1991); U.S. Pat. No. 5,001,054 to Wagner et al. (Mar. 19, 1991); and U.S. Pat. No. 4,392,933 to Nakamura et al. (July 12, 1983), the teachings of which are hereby incorporated by reference, as well as others.
15 Analyte detecting member may include tests in the sample test chamber that test electrochemical properties of the blood, or they may include optical means for sensing optical properties of the blood (e.g. oxygen saturation level), or they may include biochemical reagents (e.g. antibodies) to sense properties (e.g. presence of antigens) of the blood. The analyte detecting member may comprise biosensing or reagent material
20 that will react with an analyte in blood (e.g. glucose) or other body fluid so that an appropriate signal correlating with the presence of the analyte is generated and can be read by the reader apparatus. By way of example and not limitation, analyte detecting member may be “associated with”, “mounted within”, or “coupled to” a chamber or other structure when the analyte detecting member participates in the function of providing an
25 appropriate signal about the blood sample to the reader device. Analyte detecting member may also include nanowire analyte detecting members as described herein. Analyte detecting member may use any, singly or in combination, potentiometric, coulometric, or other method useful for detection of analyte levels.

30 Figures 1-11 of the accompanying drawings illustrates one embodiment of a system 10 for piercing tissue to obtain a blood sample. The system 10 may include a replaceable cartridge 12 and an apparatus 14 for removably receiving the cartridge 12 and for manipulating components of the cartridge 12.

Referring jointly to Figures 1 and 2, the cartridge 12 may include a plurality of penetrating members 18. The cartridge 12 may be in the form of a circular disc and has an outer circular surface 20 and an opening forming an inner circular surface 22. A plurality of grooves 24 are formed in a planar surface 26 of the cartridge 12. Each groove 24 is elongated and extends radially out from a center point of the cartridge 12. Each groove 24 is formed through the outer circular surface 20. Although not shown, it should be understood that the grooves 24 are formed over the entire circumference of the planar surface 26. As shown in Figures 3 and 4, each groove 24 is relatively narrow closer to the center point of the cartridge 12 and slightly wider further from the center point. These grooves 24 may be molded into the cartridge 12, machined into the cartridge, forged, pressed, or formed using other methods useful in the manufacture of medical devices.

In the present embodiment, each penetrating member 18 has an elongated body 26 and a sharpened distal end 27 having a sharp tip 30. The penetrating member 18 may have a circular cross-section with a diameter in this embodiment of about 0.315 mm. All outer surfaces of the penetrating member 18 may have the same coefficient of friction. The penetrating member may be, but is not necessarily, a bare lancet. The lancet is "bare", in the sense that no raised formations or molded parts are formed thereon that are complementarily engageable with another structure. Traditional lancets include large plastic molded parts that are used to facilitate engagement. Unfortunately, such attachments add size and cost. In the most basic sense, a bare lancet or bare penetrating member is an elongate wire having sharpened end. If it is of sufficiently small diameter, the tip may be penetrating without having to be sharpened. A bare lancet may be bent and still be considered a bare lancet. The bare lancet in one embodiment may be made of one material.

In the present embodiment, each penetrating member 18 is located in a respective one of the grooves 24. The penetrating members 18 have their sharpened distal ends 27 pointed radially out from the center point of the cartridge 12. A proximal end of each penetrating member 18 may engage in an interference fit with opposing sides of a respective groove 24 as shown in Figure 3. Other embodiments of the cartridge 12 may not use such an interference fit. As a nonlimiting example, they may use a fracturable adhesive to releasably secure the penetrating member 18 to the cartridge 12. As shown in

Figure 4, more distal portions of the penetrating member 18 are not engaged with the opposing sides of the groove 24 due to the larger spacing between the sides.

The cartridge 12 may further include a sterilization barrier 28 attached to the upper surface 26. The sterilization barrier 28 is located over the penetrating members 18 and serves to insulate the penetrating members 18 from external contaminants. The sterilization barrier 28 is made of a material that can easily be broken when an edge of a device applies a force thereto. The sterilization barrier 28 alone or in combination with other barriers may be used to create a sterile environment about at least the tip of the penetrating member prior to lancing or actuation. The sterilization barrier 28 may be made of a variety of materials such as but not limited to metallic foil, aluminum foil, paper, polymeric material, or laminates combining any of the above. Other details of the sterilization barrier are detailed herein.

In the present embodiment, the apparatus 14 may include a housing 30, an initiator button 32, a penetrating member movement subassembly 34, a cartridge advance subassembly 36, batteries 38, a capacitor 40, a microprocessor controller 42, and switches 44. The housing 30 may have a lower portion 46 and a lid 48. The lid 48 is secured to the lower portion 46 with a hinge 50. The lower portion 46 may have a recess 52. A circular opening 54 in the lower portion 46 defines an outer boundary of the recess 52 and a level platform 56 of the lower portion 46 defines a base of the recess 52.

In use, the lid 48 of the present embodiment is pivoted into a position as shown in Figure 1. The cartridge 12 is flipped over and positioned in the recess 52. The planar surface 26 rests against the level platform 56 and the circular opening 54 contacts the outer circular surface 20 to prevent movement of the cartridge 12 in a plane thereof. The lid 48 is then pivoted in a direction 60 and closes the cartridge 12.

Referring to the embodiment shown in Figure 5, the penetrating member movement subassembly 34 includes a lever 62, a penetrating member accelerator 64, a linear actuator 66, and a spring 68. Other suitable actuators including but not limited to rotary actuators are described in commonly assigned, copending U.S. Patent Application Ser. No. 10/127,395 (Attorney Docket No. 38187-2551) filed April 19, 2002. The lever 62 may be pivotably secured to the lower portion 46. The button 32 is located in an accessible position external of the lower portion 46 and is connected by a shaft 70 through the lower portion 46 to one end of the lever 62. The penetrating member

accelerator 64 is mounted to an opposing end of the lever 62. A user depresses the button 32 in an upward direction 66 so that the shaft 70 pivots the end of the lever 62 to which it is connected in an upward direction. The opposing end of the lever pivots in a downward direction 66. The spring 46 is positioned between the button 32 and the base 40 and
5 compresses when the button 32 is depressed to create a force that tends to move the button 32 down and pivot the penetrating member accelerator upward in a direction opposite to the direction 64.

Referring to Figures 6A and 6B in this particular embodiment, the movement of the button into the position shown in Figure 5 also causes contact between a terminal 74
10 on the shaft 20 with a terminal 70 secured to the lower portion 46. Contact between the terminals 74 and 76 indicates that the button 32 has been fully depressed. With the button 32 depressed, the cartridge 12 can be rotated without interference by the penetrating member actuator 64. To this effect, the cartridge advancer subsystem 36 includes a pinion gear 80 and a stepper motor 82. The stepper motor 82 is secured to the lower
15 portion 46. The pinion gear 80 is secured to the stepper motor 82 and is rotated by the stepper motor 82. Teeth on the pinion gear 80 engage with teeth on the inner circular surface 22 of the cartridge 12. Rotation of the pinion gear 80 causes rotation of the cartridge 12 about the center point thereof. Each time that the terminals 74 and 76 make contact, the stepper motor 82 is operated to rotate the cartridge 12 through a discrete
20 angle equal to an angular spacing from a centerline of one of the penetrating members 18 to a centerline of an adjacent penetrating member. A select penetrating member 18 is so moved over the penetrating member accelerator 64, as shown in Figure 6B. Subsequent depressions of the button 32 will cause rotation of subsequent adjacent penetrating members 18 into a position over the penetrating member accelerator 64.

25 The user then releases pressure from the button, as shown in Figure 7A. The force created by the spring 68 or other resilient member moves the button 32 in a downward direction 76. The shaft 70 is pivotably secured to the lever 62 so that the shaft 70 moves the end of the lever 62 to which it is connected down. The opposite end of the lever 62 pivots the penetrating member accelerator 64 upward in a direction 80. As shown in
30 Figure 7B, an edge 82 of the penetrating member accelerator 64 breaks through a portion of the sterilization barrier 28 and comes in to physical contact with a lower side surface of the penetrating member 18.

Referring to Figure 8A, the linear actuator 66 includes separate advancing coils 86A and retracting coils 86B, and a magnetizable slug 90 within the coils 86A and 86B. The coils 86A and 86B are secured to the lower portion of 46, and the slug 90 can move within the coils 86A and 86B. Once the penetrating member accelerator 64 is located in the position shown in Figures 7A and 7B, electric current is provided to the advancing coils 86 only. The current in the advancing coils 86 creates a force in a direction 88 on the slug 90 according to conventional principles relating to electromagnetics.

A bearing 91 is secured to the lever and the penetrating member accelerator 64 has a slot 92 over the bearing 91. The slot 92 allows for the movement of the penetrating member accelerator 64 in the direction 88 relative to the lever 62, so that the force created on the slug moves the penetrating member accelerator 64 in the direction 88.

The spring 68 is not entirely relaxed, so that the spring 68, through the lever 62, biases the penetrating member accelerator 64 against the lower side surface of the penetrating member 18 with a force F1. The penetrating member 18 rests against a base 88 of the cartridge 12. An equal and opposing force F2 is created by the base 88 on an upper side surface of the penetrating member 18.

The edge 82 of the penetrating member accelerator 64 has a much higher coefficient of friction than the base 88 of the cartridge 12. The higher coefficient of friction of the edge contributes to a relatively high friction force F3 on the lower side surface of the penetrating member 18. The relatively low coefficient of friction of the base 88 creates a relatively small friction force F4 on the upper side surface of the penetrating member 18. A difference between the force F3 and F4 is a resultant force that accelerates the penetrating member in the direction 88 relative to the cartridge 12. The penetrating member is moved out of the interference fit illustrated in Figure 3. The bare penetrating member 18 is moved without the need for any engagement formations on the penetrating member. Current devices, in contrast, often make use a plastic body molded onto each penetrating member to aid in manipulating the penetrating members. Movement of the penetrating member 18 moves the sharpened end thereof through an opening 90 in a side of the lower portion 46. The sharp end 30 of the penetrating member 18 is thereby moved from a retracted and safe position within the lower portion 46 into a position wherein it extends out of the opening 90. Accelerated, high-speed

movement of the penetrating member is used so that the sharp tip 30 penetrates skin of a person. A blood sample can then be taken from the person, typically for diabetic analysis.

Reference is now made to Figures 9A and 9B. After the penetrating member is accelerated (for example, but not limitation, less than .25 seconds thereafter), the current to the accelerating coils 86A is turned off and the current is provided to the retracting coils 86B. The slug 90 moves in an opposite direction 92 together with the penetrating member accelerator 64. The penetrating member accelerator 64 then returns the used penetrating member into its original position, i.e., the same as shown in Figure 7B.

Subsequent depression of the button as shown in Figure 5 will then cause one repetition of the process described, but with an adjacent sterile penetrating member. Subsequent sterile penetrating members can so be used until all the penetrating members have been used, i.e., after one complete revolution of the cartridge 12. In this embodiment, a second revolution of the cartridge 12 is disallowed to prevent the use of penetrating members that have been used in a previous revolution and have become contaminated. The only way in which the user can continue to use the apparatus 14 is by opening the lid 48 as shown in Figure 1, removing the used cartridge 12, and replacing the used cartridge with another cartridge. A detector (not shown) detects whenever a cartridge is removed and replaced with another cartridge. Such a detector may be but is not limited to an optical sensor, an electrical contact sensor, a bar code reader, or the like.

Figure 10 illustrates the manner in which the electrical components may be functionally interconnected for the present embodiment. The battery 38 provides power to the capacitor 40 and the controller 42. The terminal 76 is connected to the controller 42 so that the controller recognizes when the button 32 is depressed. The capacitor to provide power (electric potential and current) individually through the switches (such as field-effect transistors) to the advancing coils 86A, retracting coils 86B and the stepper motor 82. The switches 44A, B, and C are all under the control of the controller 42. A memory 100 is connected to the controller. A set of instructions is stored in the memory 100 and is readable by the controller 42. Further functioning of the controller 42 in combination with the terminal 76 and the switches 44A, B, and C should be evident from the foregoing description.

Figure 11 illustrates a configuration for another embodiment of a cartridge having penetrating members. The cartridge 112 has a corrugated configuration and a plurality of

penetrating members 118 in grooves 124 formed in opposing sides of the cartridge 112. Sterilization barriers 126 and 128 are attached over the penetrating members 118 at the top and the penetrating members 118 at the bottom, respectively. Such an arrangement provides large surfaces for attachment of the sterilization barriers 126 and 128. All the penetrating members 118 on the one side are used first, whereafter the cartridge 112 is turned over and the penetrating members 118 on the other side are used. Additional aspects of such a cartridge are also discussed in Figures 42-44.

Referring now to Figures 12-13, a friction based method of coupling with and driving bare lancets or bare penetrating members will be described in further detail. Any embodiment of the present invention disclosed herein may be adapted to use these methods. As seen in Figure 12, surface 201 is physically in contact with penetrating member 202. Surface 203 is also physically in contact with penetrating member 202. In the present embodiment of the invention, surface 201 is stainless steel, penetrating member 202 is stainless steel, and surface 203 is polytetrafluoroethylene-coated stainless steel.

Figure 13 illustrates one embodiment of the friction based coupling in use. Normal force 206 may be applied vertically to surface 201, pressing it against penetrating member 202. Penetrating member 202 is thereby pressed against surface 203. Normal force 206 is transmitted through surface 201 and penetrating member 202 to also act between penetrating member 202 and surface 203. Surface 203 is held rigid or stationary with respect to a target of the lancet. Using the classical static friction model, the maximum frictional force between surface 201 and penetrating member 202 is equal to the friction coefficient between surface 201 and penetrating member 202 multiplied by the normal force between surface 201 and penetrating member 202. In this embodiment, the maximum frictional force between surface 203 and penetrating member 202 is equal to the coefficient of friction between the surface 203 and the penetrating member 202 multiplied by the normal force between the surface 203 and the penetrating member 202. Because friction coefficient between surface 203 and penetrating member 202 is less than friction coefficient between surface 201 and penetrating member 202, the interface between surface 201 and penetrating member 202 can develop a higher maximum static friction force than can the interface between surface 203 and penetrating member 202.

Driving force as indicated by arrow 207 is applied to surface 201 perpendicular to normal force 206. The sum of the forces acting horizontally on surface 201 is the sum of driving force 207 and the friction force developed at the interface of surface 201 and penetrating member 202, which acts in opposition to driving force 207. Since the
5 coefficient of friction between surface 203 and penetrating member 202 is less than the coefficient of friction between surface 201 and penetrating member 202, penetrating member 202 and surface 201 will remain stationary with respect to each other and can be considered to behave as one piece when driving force 207 just exceeds the maximum frictional force that can be supported by the interface between surface 203 and
10 penetrating member 202. Surface 201 and penetrating member 202 can be considered one piece because the coefficient of friction between surface 201 and penetrating member 202 is high enough to prevent relative motion between the two.

In one embodiment, the coefficient of friction between surface 201 and penetrating member 202 is approximately 0.8 corresponding to the coefficient of friction
15 between two surfaces of stainless steel, while the coefficient of friction between surface 203 and penetrating member 202 is approximately 0.04, corresponding to the coefficient of friction between a surface of stainless steel and one of polytetrafluoroethylene. Normal force 206 has a value of 202 Newtons. Using these values, the maximum frictional force that the interface between surface 201 and penetrating member 202 can
20 support is 1.6 Newtons, while the maximum frictional force that the interface between surface 203 and penetrating member 202 can support is 0.08 Newtons. If driving force 207 exceeds 0.08 Newtons, surface 201 and penetrating member 202 will begin to accelerate together with respect to surface 203. Likewise, if driving force 207 exceeds 1.6 Newtons and penetrating member 202 encounters a rigid barrier, surface 201 would
25 move relative to penetrating member 202.

Another condition, for example, for surface 201 to move relative to penetrating member 202 would be in the case of extreme acceleration. In an embodiment, penetrating member 202 has a mass of 8.24×10^{-6} kg. An acceleration of 194,174 m/s² of penetrating member 202 would therefore be required to exceed the frictional force
30 between penetrating member 202 and surface 201, corresponding to approximately 19,800 g's. Without being bound to any particular embodiment or theory of operation, other methods of applying friction base coupling may also be used. For example, the

penetrating member 202 may be engaged by a coupler using an interference fit to create the frictional engagement with the member.

Figure 14 illustrates a polytetrafluoroethylene coating on stainless steel surface 203 in detail. It should be understood that the surface 203 may be coated with other materials such as but not limited to Teflon®, silicon, polymer or glass. The coating may cover all of the penetrating member, only the proximal portions, only the distal portions, only the tip, only some other portion, or some combination of some or all of the above. Figure 15 illustrates a doping of lead applied to surface 201, which conforms to penetrating member 202 microscopically when pressed against it. Both of these embodiments and other coated embodiments of a penetrating member may be used with the actuation methods described herein.

The shapes and configurations of surface 201 and surface 102 could be some form other than shown in Figures 12-15. For example, surface 201 could be the surface of a wheel, which when rotated causes penetrating member 202 to advance or retract relative to surface 203. Surface 201 could be coated with another conformable material besides lead, such as a plastic. It could also be coated with particles, such as diamond dust, or given a surface texture to enhance the friction coefficient of surface 201 with penetrating member 202. Surface 202 could be made of or coated with diamond, fluorinated ethylene propylene, perfluoroalkoxy, a copolymer of ethylene and tetrafluoroethylene, a copolymer of ethylene and chlorotrifluoroethylene, or any other material with a coefficient of friction with penetrating member 202 lower than that of the material used for surface 201.

Referring to Figure 16, a portion of a base plate 210 of an embodiment of a penetrating member cartridge is shown with a plurality of penetrating member slots 212 disposed in a radial direction cut into a top surface 214 of the base plate. A drive member 216 is shown with a distal edge 218 disposed within one of the penetrating member slots 212 of the base plate 210. The distal edge 218 of the drive member 216 is configured to slide within the penetrating member slots 212 with a minimum of friction but with a close fit to minimize lateral movement during a lancing cycle.

Figure 17 shows a distal portion 220 of a coated penetrating member 222 in partial longitudinal section. The coated penetrating member 222 has a core portion 224, a coating 226 and a tapered distal end portion 228. A portion of a coated drive member 230

is shown having a coating 234 with penetrating member contact surface 236. The penetrating member contact surface 236 forms an interface 238 with an outer surface 240 of the coated penetrating member 222. The interface 238 has a characteristic friction coefficient that will depend in part on the choice of materials for the penetrating member coating 226 and the drive member coating 234. If silver is used as the penetrating member and drive member coating 226 and 236, this yields a friction coefficient of about 1.3 to about 1.5. Other materials can be used for coatings 226 and 236 to achieve the desired friction coefficient. For example, gold, platinum, stainless steel and other materials may be used for coatings 226 and 236. It may be desirable to use combinations of different materials for coatings 226 and 236. For example, an embodiment may include silver for a penetrating member coating 226 and gold for a drive member coating. Some embodiments of the interface 238 can have friction coefficients of about 1.15 to about 5.0, specifically, about 1.3 to about 2.0.

Embodiments of the penetrating member 222 can have an outer transverse dimension or diameter of about 200 to about 400 microns, specifically, about 275 to about 325 microns. Embodiments of penetrating member 222 can have a length of about 10 to about 30 millimeters, specifically, about 15 to about 25 millimeters. Penetrating member 222 can be made from any suitable high strength alloy such as stainless steel or the like.

Figure 18 is a perspective view of a lancing device 242 having features of the invention. A penetrating member cartridge 244 is disposed about a driver 246 that is coupled to a drive member 248 by a coupler rod 250. The penetrating member cartridge 244 has a plurality of penetrating member slots 252 disposed in a radial configuration in a top surface 254 a base plate 256 of the penetrating member cartridge 244. The distal ends 253 of the penetrating member slots 252 are disposed at an outer surface 260 of the base plate 256. A fractureable sterility barrier 258, shown partially cut away, is disposed on the top surface 254 of base plate 256 over the plurality of penetrating member slots 252. The sterility barrier 258 is also disposed over the outer surface 260 of the base plate 256 in order to seal the penetrating member slots from contamination prior to a lancing cycle. A distal portion of a penetrating member 262 is shown extending radially from the penetrating member cartridge 244 in the direction of a patient's finger 264.

Figure 19 illustrates a portion of the base plate 256 used with the lancing device 242 in more detail and without sterility barrier 258 in place (for ease of illustration). The

base plate 256 includes a plurality of penetrating member slots 252 which are in radial alignment with corresponding drive member slots 266. The drive member slots 266 have an optional tapered input configuration that may facilitate alignment of the drive member 248 during downward movement into the drive member slot 266 and penetrating member slot 252. Penetrating member slots 252 are sized and configured to accept a penetrating member 262 disposed therein and allow axial movement of the penetrating member 262 within the penetrating member slots 252 without substantial lateral movement.

Referring again to Figure 18, in use, the present embodiment of penetrating member cartridge 242 is placed in an operational configuration with the driver 246. A lancing cycle is initiated and the drive member 248 is brought down through the sterility barrier 258 and into a penetrating member slot 252. A penetrating member contact surface of the drive member then makes contact with an outside surface of the penetrating member 262 and is driven distally toward the patient's finger 264 as described above with regard to the embodiment discussed in Figure 20. The friction coefficient between the penetrating member contact surface of the drive member 248 and the penetrating member 262 is greater than the friction coefficient between the penetrating member 262 and an interior surface of the penetrating member slots 252. As such, the drive member 248 is able to drive the penetrating member 262 distally through the sterility barrier 258 and into the patient's finger 264 without any relative movement or substantial relative movement between the drive member 248 and the penetrating member 262.

Referring to Figures 20-22, a lancing cycle sequence is shown for a lancing device 242 with another embodiment of a penetrating member cartridge 244 as shown in Figures 23 and 24. The base plate 256 of the penetrating member cartridge 242 shown in Figures 23 and 24 has a plurality of penetrating member slots 252 with top openings 268 that do not extend radially to the outer surface 260 of the base plate 256. In this way, the penetrating member slots 252 can be sealed with a first sterility barrier 270 disposed on the top surface 254 of the base plate 256 and a second sterility barrier 272 disposed on the outer surface 260 of the base plate 256. Penetrating member outlet ports 274 are disposed at the distal ends of the penetrating member slots 252.

Referring again to Figure 20, the penetrating member 262 is shown in the proximally retracted starting position within the penetrating member slot 252. The outer surface of the penetrating member 276 is in contact with the penetrating member contact

surface 278 of the drive member 248. The friction coefficient between the penetrating member contact surface 278 of the drive member 248 and the outer surface 276 of the penetrating member 262 is greater than the friction coefficient between the penetrating member 262 and an interior surface 280 of the penetrating member slots 252. A distal drive force as indicated by arrow 282 in Figure 10 is then applied via the drive coupler 250 to the drive member 248 and the penetrating member is driven out of the penetrating member outlet port 274 and into the patient's finger 264. A proximal retraction force, as indicated by arrow 284 in Figure 22, is then applied to the drive member 248 and the penetrating member 262 is withdrawn from the patient's finger 264 and back into the penetrating member slot 252.

Figures 25 and 26 illustrate an embodiment of a multiple layer sterility barrier 258 in the process of being penetrated by a penetrating member 62. It should be understood that this barrier 258 may be adapted for use with any embodiment of the present invention. The sterility barrier 258 shown in Figures 25 and 26 is a two layer sterility barrier 258 that facilitates maintaining sterility of the penetrating member 262 as it passes through and exits the sterility barrier 258. In Figure 25, the distal end 286 of the penetrating member 262 is applying an axial force in a distal direction against an inside surface 288 of a first layer 290 of the sterility barrier 258, so as to deform the first layer 290 of the sterility barrier 258. The deformation 291 of the first layer 290 in turn applies a distorting force to the second layer 292 of the sterility barrier 258. The second layer of the sterility barrier is configured to have a lower tensile strength than the first layer 290. As such, the second layer 292 fails prior to the first layer 290 due to the strain imposed on the first layer 290 by the distal end 286 of the penetrating member 262, as shown in Figure 26. After the second layer 292 fails, it then retracts from the deformed portion 291 of the first layer 290 as shown by arrows 294 in Figure 26. As long as the inside surface 288 and outside surface 296 of the first layer 290 are sterile prior to failure of the second layer 292, the penetrating member 262 will remain sterile as it passes through the first layer 290 once the first layer eventually fails. Such a multiple layer sterility barrier 258 can be used for any of the embodiments discussed herein. The multiple layer sterility barrier 258 can also include three or more layers.

Referring to Figures 27 and 28, an embodiment of a drive member 300 coupled to a driver 302 wherein the drive member 300 includes a cutting member 304 having a

sharpened edge 306 which is configured to cut through a sterility barrier 258 of a penetrating member slot 252 during a lancing cycle in order for the drive member 300 to make contact with a penetrating member. An optional lock pin 308 on the cutting member 304 can be configured to engage the top surface 310 of the base plate in order to prevent distal movement of the cutting member 304 with the drive member 300 during a lancing cycle.

Figures 29 and 30 illustrate an embodiment of a penetrating member slot 316 in longitudinal section having a ramped portion 318 disposed at a distal end 320 of the penetrating member slot. A drive member 322 is shown partially disposed within the penetrating member slot 316. The drive member 322 has a cutting edge 324 at a distal end 326 thereof for cutting through a sterility barrier 328 during a lancing cycle. Figure 30 illustrates the cutting edge 324 cutting through the sterility barrier 328 during a lancing cycle with the cut sterility barrier 328 peeling away from the cutting edge 324.

Figures 31-34 illustrate drive member slots in a base plate 330 of a penetrating member cartridge wherein at least a portion of the drive member slots have a tapered opening which is larger in transverse dimension at a top surface of the base plate than at the bottom of the drive member slot. Figure 31 illustrates a base plate 330 with a penetrating member slot 332 that is tapered at the input 334 at the top surface 336 of the base plate 330 along the entire length of the penetrating member slot 332. In such a configuration, the penetrating member slot and drive member slot (not shown) would be in communication and continuous along the entire length of the slot 332. As an optional alternative, a base plate 338 as shown in Figure 32 and 33 can have a drive member slot 340 that is axially separated from the corresponding penetrating member slot 342. With this configuration, the drive member slot 340 can have a tapered configuration and the penetrating member slot 342 can have a straight walled configuration. In addition, this configuration can be used for corrugated embodiments of base plates 346 as shown in Figure 34. In Figure 34, a drive member 348 is disposed within a drive member slot 350. A penetrating member contact surface 352 is disposed on the drive member 348. The contact surface 352 has a tapered configuration that will facilitate lateral alignment of the drive member 348 with the drive member slot 350.

Figures 35-37 illustrate an embodiment of a penetrating member cartridge 360 and drive member 362 wherein the drive member 362 has contoured jaws 364 configured to

grip a penetrating member shaft 366. In Figure 35, the drive member 362 and penetrating member shaft 366 are shown in transverse cross section with the contoured jaws 364 disposed about the penetrating member shaft 366. A pivot point 368 is disposed between the contoured jaws 364 and a tapered compression slot 370 in the drive member 362. A
5 compression wedge 372 is shown disposed within the tapered compression slot 370. Insertion of the compression wedge 372 into the compression slot 370 as indicated by arrow 374, forces the contoured jaws 364 to close about and grip the penetrating member shaft 366 as indicated by arrows 376.

Figure 36 shows the drive member 362 in position about a penetrating member
10 shaft 366 in a penetrating member slot 378 in the penetrating member cartridge 360. The drive member can be actuated by the methods discussed above with regard to other drive member and driver embodiments. Figure 37 is an elevational view in longitudinal section of the penetrating member shaft 166 disposed within the penetrating member slot 378. The arrows 380 and 382 indicate in a general way, the path followed by the drive member
15 362 during a lancing cycle. During a lancing cycle, the drive member comes down into the penetrating member slot 378 as indicated by arrow 380 through an optional sterility barrier (not shown). The contoured jaws of the drive member then clamp about the penetrating member shaft 366 and move forward in a distal direction so as to drive the penetrating member into the skin of a patient as indicated by arrow 382.

20 Figures 38 and 39 show a portion of a lancing device 390 having a lid 392 that can be opened to expose a penetrating member cartridge cavity 394 for removal of a used penetrating member cartridge 396 and insertion of a new penetrating member cartridge 398. Depression of button 400 in the direction indicated by arrow 402 raises the drive member 404 from the surface of the penetrating member cartridge 396 by virtue of lever
25 action about pivot point 406. Raising the lid 392 actuates the lever arm 408 in the direction indicated by arrow 410 which in turn applies a tensile force to cable 412 in the direction indicated by arrow 414. This action pulls the drive member back away from the penetrating member cartridge 396 so that the penetrating member cartridge 396 can be removed from the lancing device 390. A new penetrating member cartridge 398 can then
30 be inserted into the lancing device 390 and the steps above reversed in order to position the drive member 404 above the penetrating member cartridge 398 in an operational position.

Figures 40 and 41 illustrate a penetrating member cartridge 420 that has penetrating member slots 422 on a top side 424 and a bottom side 426 of the penetrating member cartridge 420. This allows for a penetrating member cartridge 420 of a diameter D to store for use twice the number of penetrating members as a one sided penetrating member cartridge of the same diameter D.

Figures 42-44 illustrate end and perspective views of a penetrating member cartridge 430 having a plurality of penetrating member slots 432 formed from a corrugated surface 434 of the penetrating member cartridge 430. Penetrating members 436 are disposed on both sides of the penetrating member cartridge 430. A sterility barrier 438 is shown disposed over the penetrating member slots 432 in Figure 44.

Figures 45-48 illustrate embodiments of a penetrating member 440 and drive member 442 wherein the penetrating member 440 has a transverse slot 444 in the penetrating member shaft 446 and the drive member 442 has a protuberance 448 configured to mate with the transverse slot 444 in the penetrating member shaft 446. Figure 45 shows a protuberance 448 having a tapered configuration that matches a tapered configuration of the transverse slot 444 in the penetrating member shaft 446. Figure 46 illustrates an optional alternative embodiment wherein the protuberance 448 has straight walled sides that are configured to match the straight walled sides of the transverse slot 444 shown in Figure 46. Figure 47 shows a tapered protuberance 448 that is configured to leave an end gap 450 between an end of the protuberance 448 and a bottom of the transverse slot in the penetrating member shaft 446.

Figure 48 illustrates a mechanism 452 to lock the drive member 442 to the penetrating member shaft 446 that has a lever arm 454 with an optional bearing 456 on the first end 458 thereof disposed within a guide slot 459 of the drive member 442. The lever arm 454 has a pivot point 460 disposed between the first end 458 of the lever arm 454 and the second end 462 of the lever arm 454. A biasing force is disposed on the second end 462 of the lever arm 454 by a spring member 464 that is disposed between the second end 462 of the lever arm 454 and a base plate 466. The biasing force in the direction indicated by arrow 468 forces the penetrating member contact surface 470 of the drive member 442 against the outside surface of the penetrating member 446 and, in addition, forces the protuberance 448 of the drive member 442 into the transverse slot 444 of the penetrating member shaft 446.

Referring now to Figure 49, another embodiment of a replaceable cartridge 500 suitable for housing a plurality of individually moveable penetrating members (not shown) will be described in further detail. Although cartridge 500 is shown with a chamfered outer periphery, it should also be understood that less chamfered and unchamfered embodiments of the cartridge 500 may also be adapted for use with any embodiment of the present invention disclosed herein. The penetrating members slidably coupled to the cartridge may be a bare lancet or bare elongate member without outer molded part or body pieces as seen in conventional lancet. The bare design reduces cost and simplifies manufacturing of penetrating members for use with the present invention.

5 The penetrating members may be retractable and held within the cartridge so that they are not able to be used again. The cartridge is replaceable with a new cartridge once all the piercing members have been used. The lancets or penetrating members may be fully contained in the used cartridge so as to minimize the chance of patient contact with such waste.

15 As can be seen in Figure 49, the cartridge 500 may include a plurality of cavities 501 for housing a penetrating member. In this embodiment, the cavity 501 may have a longitudinal opening 502 associated with the cavity. The cavity 501 may also have a lateral opening 503 allowing the penetrating member to exit radially outward from the cartridge. As seen in Figure 49, the outer radial portion of the cavity may be narrowed.

20 The upper portion of this narrowed area may also be sealed or swaged to close the top portion 505 and define an enclosed opening 506 as shown in Figure 50. Optionally, the narrowed area 504 may retain an open top configuration, though in some embodiments, the foil over the gap is unbroken, preventing the penetrating member from lifting up or extending upward out of the cartridge. The narrowed portion 504 may act as a bearing and/or guide for the penetrating member. Figure 51 shows that the opening 506 may have a variety of shapes such as but not limited to, circular, rectangular, triangular, hexagonal, square, or combinations of any or all of the previous shapes. Openings 507 (shown in phantom) for other microfluidics, capillary tubes, or the like may also be incorporated in the immediate vicinity of the opening 506. In some optional embodiments, such openings

25 30 507 may be configured to surround the opening 506 in a concentric or other manner.

Referring now to Figure 52, the underside of a cartridge 500 will be described in further detail. This figure shows many features on one cartridge 500. It should be

understood that a cartridge may include some, none, or all of these features, but they are shown in Figure 52 for ease of illustration. The underside may include indentations or holes 510 close to the inner periphery for purpose of properly positioning the cartridge to engage a penetrating member gripper and/or to allow an advancing device (shown in Figure 56B and 56C) to rotate the cartridge 500. Indentations or holes 511 may be formed along various locations on the underside of cartridge 500 and may assume various shapes such as but not limited to, circular, rectangular, triangular, hexagonal, square, or combinations of any or all of the previous shapes. Notches 512 may also be formed along the inner surface of the cartridge 500 to assist in alignment and/or rotation of the cartridge. It should be understood of course that some of these features may also be placed on the topside of the cartridge in areas not occupied by cavities 501 that house the penetrating members. Notches 513 may also be incorporated along the outer periphery of the cartridge. These notches 513 may be used to gather excess material from the sterility barrier 28 (not shown) that may be used to cover the angled portion 514 of the cartridge.

15 In the present embodiment, the cartridge has a flat top surface and an angled surface around the outside. Welding a foil type sterility barrier over that angled surface, the foil folds because of the change in the surfaces which is now at 45 degrees. This creates excess material. The grooves or notches 513 are there as a location for that excess material. Placing the foil down into those grooves 513 which may tightly stretch the material across the 45 degree angled surface. Although in this embodiment the surface is shown to be at 45 degrees, it should be understood that other angles may also be used. For example, the surface may be at any angle between about 3 degrees to 90 degrees, relative to horizontal. The surface may be squared off. The surface may be unchamfered. The surface may also be a curved surface or it may be combinations of a variety of angled surfaces, curved and straight surfaces, or any combination of some or all of the above.

Referring now to Figures 53-54, the sequence in which the cartridge 500 is indexed and penetrating members are actuated will now be described. It should be understood that some steps described herein may be combined or taken out of order without departing from the spirit of the invention. These sequence of steps provides vertical and horizontal movement used with the present embodiment to load a penetrating member onto the driver.

As previously discussed, each cavity on the cartridge may be individually sealed with a foil cover or other sterile enclosure material to maintain sterility until or just before the time of use. In the present embodiment, penetrating members are released from their sterile environments just prior to actuation and are loaded onto a launcher mechanism for use. Releasing the penetrating member from the sterile environment prior to launch allows the penetrating member in the present embodiment to be actuated without having to pierce any sterile enclosure material which may dull the tip of the penetrating member or place contaminants on the member as it travels towards a target tissue. A variety of methods may be used accomplish this goal.

Figure 53A shows one embodiment of penetrating member release device, which in this embodiment is a punch plate 520 that is shown in a see-through depiction for ease of illustration. The punch plate 520 may include a first portion 521 for piercing sterile material covering the longitudinal opening 502 and a second portion 522 for piercing material covering the lateral opening 503. A slot 523 allows the penetrating member gripper to pass through the punch plate 520 and engage a penetrating member housed in the cartridge 500. The second portion 522 of the punch plate down to engage sterility barrier angled at about a 45 degree slope. Of course, the slope of the barrier may be varied. The punch portion 522 first contacts the rear of the front pocket sterility barrier and as it goes down, the cracks runs down each side and the barrier is pressed down to the bottom of the front cavity. The rear edge of the barrier first contacted by the punch portion 522 is broken off and the barrier is pressed down, substantially cleared out of the way. These features may be more clearly seen in Figure 53B. The punch portion 521 may include a blade portion down the centerline. As the punch comes down, that blade may be aligned with the center of the cavity, cutting the sterility barrier into two pieces. The wider part of the punch 521 then pushes down on the barrier so the they align parallel to the sides of the cavity. This creates a complete and clear path for the gripper throughout the longitudinal opening of the cavity. Additionally, as seen in Figure 53B and 54A, a plurality of protrusion 524 are positioned to engage a cam (Figure 55A) which sequences the punching and other vertical movement of punch plate 520 and cartridge pusher 525. The drive shaft 526 from a force generator (not shown) which is used to actuate the penetrating member 527.

Referring now to Figures 54A-F, the release and loading of the penetrating members are achieved in the following sequence. Figure 54A shows the release and loading mechanism in rest state with a dirty bare penetrating member 527 held in a penetrating member gripper 530. This is the condition of the device between lancing events. When the time comes for the patient to initiate another lancing event, the used penetrating member is cleared and a new penetrating member is loaded, just prior to the actual lancing event. The patient begins the loading of a new penetrating member by operating a setting lever to initiate the process. The setting lever may operate mechanically to rotate a cam (see Figure 55A) that moves the punch plate 520 and cartridge pusher 525. In other embodiments, a stepper motor or other mover such as but not limited to, a pneumatic actuator, hydraulic actuator, or the like are used to drive the loading sequence.

Figure 54B shows one embodiment of penetrating member gripper 530 in more detail. The penetrating member gripper 530 may be in the form of a tuning fork with sharp edges along the inside of the legs contacting the penetrating member. In some embodiments, the penetrating member may be notched, recessed, or otherwise shaped to receive the penetrating member gripper. As the gripper 530 is pushed down on the penetrating member, the legs are spread open elastically to create a frictional grip with the penetrating member such as but not limited to bare elongate wires without attachments molded or otherwise attached thereon. In some embodiments, the penetrating member is made of a homogenous material without any additional attachments that are molded, adhered, glued or otherwise added onto the penetrating member.

In some embodiments, the gripper 530 may cut into the sides of the penetrating member. The penetrating member in one embodiment may be about 300 microns wide. The grooves that form in the side of the penetrating member by the knife edges are on the order of about 5-10 microns deep and are quite small. In this particular embodiment, the knife edges allow the apparatus to use a small insertion force to get the gripper onto the penetrating member, compared to the force to remove the penetrating member from the gripper the longitudinal axis of an elongate penetrating member. Thus, the risk of a penetrating member being detached during actuation are reduced. The gripper 530 may be made of a variety of materials such as, but not limited to high strength carbon steel that is heat treated to increased hardness, ceramic, substrates with diamond coating, composite

reinforced plastic, elastomer, polymer, and sintered metals. Additionally, the steel may be surface treated. The gripper 130 may have high gripping force with low friction drag on solenoid or other driver.

As seen in Figure 54C, the sequence begins with punch plate 520 being pushed
5 down. This results in the opening of the next sterile cavity 532. In some embodiment, this movement of punch plate 520 may also result in the crimping of the dirty penetrating member to prevent it from being used again. This crimping may result from a protrusion on the punch plate bending the penetrating member or pushing the penetrating member into a groove in the cartridge that hold the penetrating member in place through an
10 interference fit. As seen in Figures 53B and 54C, the punch plate 520 has a protrusion or punch shaped to penetrate a longitudinal opening 502 and a lateral opening 503 on the cartridge. The first portion 521 of the punch that opens cavity 532 is shaped to first pierce the sterility barrier and then push, compresses, or otherwise moves sterile enclosure material towards the sides of the longitudinal opening 502. The second portion
15 522 of the punch pushes down the sterility barrier at lateral opening or penetrating member exit 503 such that the penetrating member does not pierce any materials when it is actuated toward a tissue site.

Referring now to Figure 54D, the cartridge pusher 525 is engaged by the cam 550
(not shown) and begins to push down on the cartridge 500. The punch plate 520 may also
20 travel downward with the cartridge 500 until it is pushed down to its maximum downward position, while the penetrating member gripper 530 remains vertically stationary. This joint downward motion away from the penetrating member gripper 530 will remove the penetrating member from the gripper. The punch plate 520 essentially pushes against the penetrating member with protrusion 534 (Figure 55A), holding the penetrating member
25 with the cartridge, while the cartridge 500 and the punch plate 520 is lowered away from the penetrating member gripper 530 which in this embodiment remains vertically stationary. This causes the stripping of the used penetrating member from the gripper 530 (Figure 45D) as the cartridge moves relative to the gripper.

At this point as seen in Figure 54E, the punch plate 520 retracts upward and the
30 cartridge 500 is pushed fully down, clear of the gripper 530. Now cleared of obstructions and in a rotatable position, the cartridge 500 increments one pocket or cavity in the direction that brings the newly released, sterile penetrating member in cavity 532 into

alignment with the penetrating member gripper 530, as seen in Figure 54F. The rotation of the cartridge occurs due to fingers engaging the holes or indentations 533 on the cartridge, as seen in Figure 54A. In some embodiments, these indentations 533 do not pass completely through cartridge 500. In other embodiments, these indentations are

5 holes passing completely through. The cartridge has a plurality of little indentations 533 on the top surface near the center of the cartridge, along the inside diameter. In the one embodiment, the sterility barrier is cut short so as not to cover these plurality of indentations 533. It should be understood of course that these holes may be located on

10 bottom, side or other accessible surface. These indentations 533 have two purposes. The apparatus may have one or a plurality of locator pins, static pins, or other keying feature that does not move. In this embodiment, the cartridge will only set down into positions where the gripper 530 is gripping the penetrating member. To index the cassette, the

15 cartridge is lifted off those pins or other keyed feature, rotated around, and dropped onto those pins for the next position. The rotating device is through the use of two fingers: one is a static pawl and the other one is a sliding finger. They engage with the holes 533. The fingers are driven by a slider that may be automatically actuated or actuated by the user. This may occur mechanically or through electric or other powered devices. Halfway through the stroke, a finger may engage and rotate around the cartridge. A more complete description can be found with text associated with Figures 56B-56C.

20 Referring now to Figure 54G, with the sterile penetrating member in alignment, the cartridge 500 is released as indicated by arrows 540 and brought back into contact with the penetrating member gripper 530. The new penetrating member 541 is inserted into the gripper 530, and the apparatus is ready to fire once again. After launch and in

25 between lancing events for the present embodiment, the bare lancet or penetrating member 541 is held in place by gripper 530, preventing the penetrating member from accidentally protruding or sliding out of the cartridge 500.

It should be understood of course, that variations can be added to the above embodiment without departing from the spirit of the invention. For example, the penetrating member 541 may be placed in a parked position in the cartridge 500 prior to

30 launch. As seen in Figure 55A, the penetrating member is held by a narrowed portion 542 of the cartridge, creating an interference fit which pinches the proximal end of the penetrating member. Friction from the molding or cartridge holds the penetrating

member during rest, preventing the penetrating member from sliding back and forth. Of course, other methods of holding the penetrating member may also be used. As seen in Figure 55B prior to launch, the penetrating member gripper 530 may pull the penetrating member 541 out of the portion 542. The penetrating member 541 may remain in this

5 portion until actuated by the solenoid or other force generator coupled to the penetrating member gripper. A cam surface 544 may be used to pull the penetrating member out of the portion 542. This mechanical cam surface may be coupled to the mechanical slider driven by the patient, which may be considered a separate force generator. Thus, energy from the patient extracts the penetrating member and this reduces the drain on the

10 device's battery if the solenoid or electric driver were to pull out the penetrating member. The penetrating member may be moved forward a small distance (on the order of about 1 mm or less) from its parked position to pull the penetrating member from the rest position gripper. After penetrating tissue, the penetrating member may be returned to the cartridge and eventually placed into the parked position. This may also occur, though not

15 necessarily, through force provided by the patient. In one embodiment, the placing of the lancet into the parked position does not occur until the process for loading a new penetrating member is initiated by the patient. In other embodiments, the pulling out of the parked position occurs in the same motion as the penetrating member actuation. The return into the parked position may also be considered a continuous motion.

20 Figure 55A also shows one embodiment of the cam and other surfaces used to coordinate the motion of the punch plate 520. For example, cam 550 in this embodiment is circular and engages the protrusions 524 on the punch plate 520 and the cartridge pusher 525. Figure 55A also more clearly shows protrusion 534 which helps to hold the penetrating member in the cartridge 500 while the penetrating member gripper 530 pulls

25 away from the member, relatively speaking. A ratchet surface 552 that rotates with the cam 550 may be used to prevent the cam from rotating backwards. The raising and lowering of cartridge 500 and punch plate 50 used to load/unload penetrating members may be mechanically actuated by a variety of cam surfaces, springs, or the like as may be determined by one skilled in the art. Some embodiments may also use electrical or

30 magnetic device to perform the loading, unloading, and release of bare penetrating members. Although the punch plate 520 is shown to be punching downward to displace, remove, or move the foil or other sterile environment enclosure, it should be understood

that other methods such as stripping, pulling, tearing, or some combination of one or more of these methods may be used to remove the foil or sterile enclosure. For example, in other embodiments, the punch plate 520 may be located on an underside of the cartridge and punch upward. In other embodiments, the cartridge may remain vertically stationary while other parts such as the penetrating member gripper and punch plate move to load a sterile penetrating member on to the penetrating member gripper.

Figure 55B also shows other features that may be included in the present apparatus. A fire button 560 may be included for the user to actuate the penetrating member. A front end interface 561 may be included to allow a patient to seat their finger or other target tissue for lancing. The interface 561 may be removable to be cleaned or replaced. A visual display 562 may be included to show device status, lancing performance, error reports, or the like to the patient.

Referring now to Figure 56A, a mechanical slider 564 used by the patient to load new penetrating member may also be incorporated on the housing. The slider 564 may also be coupled to activate an LCD or visual display on the lancing apparatus. In addition to providing a source of energy to index the cartridge, the slider 564 may also switch the electronics to start the display. The user may use the display to select the depth of lancing or other feature. The display may go back to sleep again until it is activated again by motion of the slider 564. The underside the housing 566 may also be hinged or otherwise removable to allow the insertion of cartridge 500 into the device. The cartridge 500 may be inserted using technology current used for insertion of a compact disc or other disc into a compact disc player. In one embodiment, there may be a tray which is deployed outward to receive or to remove a cartridge. The tray may be withdrawn into the apparatus where it may be elevated, lowered, or otherwise transported into position for use with the penetrating member driver. In other embodiments, the apparatus may have a slot into which the cartridge is partially inserted at which point a mechanical apparatus will assist in completing insertion of the cartridge and load the cartridge into proper position inside the apparatus. Such device is akin to the type of compact disc player found on automobiles. The insertions/ejection and loading apparatus of these compact disc players uses gears, pulleys, cables, trays, and/or other parts that may be adapted for use with the present invention.

Referring now to Figure 56B, a more detailed view of one embodiment of the slider 564 is provided. In this embodiment, the slider 564 will move initially as indicated by arrow 567. To complete the cycle, the patient will return the slider to its home position or original starting position as indicated by arrow 568. The slider 564 has an arm 569 which moves with the slider to rotate the cam 550 and engage portions 522. The motion of the slider 564 is also mechanically coupled to a finger 570 which engage the indentations 571 on cartridge 500. The finger 570 is synchronized to rotate the cartridge 500 by pulling as indicated by arrow 572 in the same plane as the cartridge. It should be understood that in some embodiments, the finger 570 pushes instead of pulls to rotate the cartridge in the correct direction. The finger 570 may also be adapted to engage ratchet surfaces 706 as seen in Figure 66 to rotate a cartridge. The finger 570 may also incorporate vertical motion to coordinate with the rising and lowering of the cartridge 500. The motion of finger 570 may also be powered by electric actuators such as a stepper motor or other device useful for achieving motion. Figure 56B also shows a portion of the encoder 573 used in position sensing.

Referring now to Figure 56C, a still further view of the slider 564 and arm 569 is shown. The arm 569 moves to engage portion 522 as indicated by arrow 575 and this causes the cam 550 to rotate as indicated by arrow 577. In this particular embodiment, the cam 550 rotates about 1/8 of an rotation with each pull of the slider 564. When the slider 564 is return to its home or start position, the arm 569 rides over the portion 522. The movement of the slider also allows the cam surface 544 to rotate about pivot point 579. A resilient member 580 may be coupled to the cam surface 544 to cause it to rotate counterclockwise when the arm 569 moves in the direction of arrow 567. The pin 580 will remain in contact with the arm 569. As the cam surface 544 rotates a first surface 582 will contact the pin 583 on the gripper block 584 and pull the pin 583 back to park a penetrating member into a coupling or narrowed portion 542 of the cartridge 500 as seen in Figure 55A. As the arm 569 is brought back to the home position, the cam surface 544 rotates back and a second surface 586 that rotates clockwise and pushes the penetrating member forward to be released from the narrowed portion 542 resulting in a position as seen in Figure 55B. It should be understood that in some embodiments, the release and/or parking of lancet from portion 542 may be powered by the driver 588 without using the mechanical assistance from cam surface 544.

In another embodiment of the cartridge device, a mechanical feature may be included on the cartridge so that there is only one way to load it into the apparatus. For example, in one embodiment holding 50 penetrating members, the cartridge may have 51 pockets or cavities. The 51st pocket will go into the firing position when the device is loaded, thus providing a location for the gripper to rest in the cartridge without releasing a penetrating member from a sterile environment. The gripper 530 in that zeroth position is inside the pocket or cavity and that is the reason why one of the pockets may be empty. Of course, some embodiments may have the gripper 530 positioned to grip a penetrating member as the cartridge 500 is loaded into the device, with the patient lancing themselves soon afterwards so that the penetrating member is not contaminated due to prolonged exposure outside the sterile enclosure. That zeroth position may be the start and finish position. The cartridge may also be notched to engage a protrusion on the apparatus, thus also providing a method for allowing the penetrating member to load or unload only in one orientation. Essentially, the cartridge 500 may be keyed or slotted in association with the apparatus so that the cartridge 500 can only be inserted or removed at one orientation. For example as seen in Figure 56D, the cartridge 592 may have a keyed slot 593 that matches the outline of a protrusion 594 such that the cartridge 592 may only be removed upon alignment of the slot 593 and protrusion 594 upon at the start or end positions. It should be understood that other keyed technology may be used and the slot or key may be located on an outer periphery or other location on the cartridge 592 in a manner useful for allowing insertion or removal of the cartridge from only one or a select number of orientations.

Referring now to Figure 57, a cross-section of another embodiment of a cavity 600 housing a penetrating member is shown. The cavity 600 may include a depression 602 for allowing the gripper 530 to penetrate sufficiently deeply into the cavity to frictionally engage the penetrating member 541. The penetrating member may also be housed in a groove 604 that holds the penetrating member in place prior to and after actuation. The penetrating member 541 is lifted upward to clear the groove 604 during actuation and exits through opening 506.

Referring now to Figure 58, another variation on the system according to the present invention will now be described. Figure 58 shows a lancing system 610 wherein the penetrating members have their sharpened tip pointed radially inward. The finger or

other tissue of the patient is inserted through the center hole 611 to be pierced by the member 612. The penetrating member gripper 530 coupled to drive force generator 613 operate in substantially the same manner as described in Figures 54A-G. The punch portions 521 and 522 operate in substantially the same manner to release the penetrating members from the sterile enclosures. The punch portion 522 may be placed on the inner periphery of the device, where the penetrating member exit is now located, so that sterile enclosure material is cleared out of the path of the penetrating member exit.

Referring now to Figure 59, a still further variation on the lancing system according to the present invention will now be described. In the embodiments shown in Figures 53-54, the penetrating member gripper 530 approaches the penetrating member from above and at least a portion of the drive system is located in a different plane from that of the cartridge 500. Figure 59 shows an embodiment where the penetrating member driver 620 is in substantially the same plane as the penetrating member 622. The coupler 624 engages a bent or L shaped portion 626 of the member 622. The cartridge 628 can rotate to engage a new penetrating member with the coupler 624 without having to move the cartridge or coupler vertically. The next penetrating member rotates into position in the slot provided by the coupler 624. A narrowed portion of the cartridge acts as a penetrating member guide 630 near the distal end of the penetrating member to align the penetrating member as it exits the cartridge.

The coupler 624 may come in a variety of configurations. For example, Figure 60A shows a coupler 632 which can engage a penetrating member 633 that does not have a bent or L-shaped portion. A radial cartridge carrying such a penetrating member 633 may rotate to slide penetrating member into the groove 634 of the coupler 632. Figure 60B is a front view showing that the coupler 632 may include a tapered portion 636 to guide the penetrating member 633 into the slot 634. Figure 60C shows an embodiment of the driver 620 using a coupler 637 having a slot 638 for receiving a T-shaped penetrating member. The coupler 637 may further include a protrusion 639 that may be guided in an overhead slot to maintain alignment of the drive shaft during actuation.

Referring now to Figure 61, a cartridge 640 for use with an in-plane driver 620 is shown. The cartridge 640 includes an empty slot 642 that allows the cartridge to be placed in position with the driver 620. In this embodiment, the empty slot 642 allows the coupler 644 to be positioned to engage an unused penetrating member 645 that may be

rotated into position as shown by arrow 646. As seen in Figure 61, the cartridge 640 may also be designed so that only the portion of the penetrating member that needs to remain sterile (i.e. the portions that may actually be penetrating into tissue) are enclosed. As seen in Figure 61, a proximal portion 647 of the penetrating member is exposed. This exposed proximal portion may be about 70% of the penetrating member. In other embodiments it may be between about 69% to about 5% of the penetrating member. The cartridge 640 may further include, but not necessarily, sealing protrusions 648. These protrusions 648 are releasably coupled to the cartridge 640 and are removed from the cartridge 640 by remover 649 as the cartridge rotates to place penetrating member 645 into the position of the active penetrating member. The sterile environment is broken prior to actuation of the member 645 and the member does not penetrate sterile enclosure material that may dull the tip of the penetrating member during actuation. A fracturable seal material 650 may be applied to the member to seal against an inner peripheral portion of the cartridge.

Referring now to Figure 62, a still further embodiment of a cartridge for use with the present invention will be described. This cartridge 652 includes a tapered portion 654 for allowing the coupler 655 to enter the cavity 656. A narrowed portion 657 guides the penetrating member 658. The coupler 655 may have, but does not necessarily have, movable jaws 659 that engage to grip the penetrating member 658. Allowing the coupler to enter the cavity 656 allows the alignment of the penetrating member to be better maintained during actuation. This tapered portion 654 may be adapted for use with any embodiment of the cartridge disclosed herein.

Referring now to Figure 63, a linear cartridge 660 for use with the present invention will be described. Although the present invention has been shown in use with radial cartridges, the lancing system may be adapted for use with cartridges of other shapes. Figures 79-83 show other cartridges of varying shapes adaptable for use with the present invention. Figure 63 illustrates a cartridge 660 with only a portion 662 providing sterile protection for the penetrating members. The cartridge 660, however, provides a base 664 on which a penetrating member 665 can rest. This provides a level of protection of the penetrating member during handling. The base 664 may also be shaped to provide slots 666 in which a penetrating member 667 may be held. The slot 666 may also be adapted to have a tapered portion 668. These configurations may be adapted for use with any of the embodiments disclosed herein, such as the cartridge 652.

Referring now to Figures 64A-64C, a variety of different devices are shown for releasing the sterility seal covering a lateral opening 503 on the cartridge 500. Figure 64A shows a rotating punch device 670 that has protrusions 672 that punch out the sterility barrier creating openings 674 from which a penetrating member can exit without touching the sterility barrier material. Figure 64B shows a vertically rotating device 676 with shaped protrusions 678 that punch down the sterility barrier 679 as it is rotated to be in the active, firing position. Figure 64C shows a punch 680 which is positioned to punch out barrier 682 when the cartridge is lowered onto the punch. The cartridge is rotated and the punch 680 rotates with the cartridge. After the cartridge is rotated to the proper position and lifted up, the punch 680 is spring loaded or otherwise configured to return to the position to engage the sterility barrier covering the next unused penetrating member.

Referring now to Figure 65A-65B, another type of punch mechanism for use with a punch plate 520 will now be described. The device shown in Figures 53-54 shows a mechanism that first punches and then rotates or indexes the released penetrating member into position. In this present embodiment, the cartridge is rotated first and then the gripper and punch may move down simultaneously. Figure 65A shows a punch 685 having a first portion 686 and a second portion 687. As seen in cross-sectional view of Figure 65B, the penetrating member gripper 690 is located inside the punch 685. Thus the penetrating of the sterility barrier is integrated into the step of engaging the penetrating member with the gripper 690. The punch 685 may include a slot 692 allowing a portion 694 of the gripper 690 to extend upward. A lateral opening 695 is provided from which a penetrating member may exit. In some embodiments, the punch portion 687 is not included with punch 686, instead relying on some other mechanism such as those shown in Figures 64A-64C to press down on barrier material covering a lateral opening 503.

Referring now to Figures 66, a still further embodiment of a cartridge according to the present invention will be described. Figure 66 shows a cartridge 700 with a plurality of cavities 702 and individual deflectable portions or fingers 704. The ends of the protective cavities 702 may be divided into individual fingers (such as one for each cavity) on the outer periphery of the disc. Each finger 704 may be individually sealed with a foil cover (not shown for ease of illustration) to maintain sterility until the time of use. Along the inner periphery of the cartridge 700 are raised step portions 706 to create

a ratchet type mechanism. As seen in Figure 67, a penetrating member 708 may be housed in each cavity. The penetrating member may rest on a raised portion 710. A narrowed portion 712 pinches the proximal portions of the penetration member 708. Each cavity may include a wall portion 714 into which the penetrating member 708 may be driven after the penetrating member has been used. Figure 68 shows the penetrating member gripper 716 lowered to engage a penetrating member 708. For ease of illustration, a sterility barrier covering each of the cavities is not shown.

Referring now to Figures 69A-69L, the sequence of steps for actuating a penetrating member in a cartridge 700 will be described. It should be understood that in other embodiments, steps may be combined or reduced without departing from the spirit of the present invention. The last penetrating member to be used may be left in a retracted position, captured by a gripper 716. The end of the protective cavity 704 may be deflected downward by the previous actuation. The user may operate a mechanism such as but not limited to a thumbwheel, lever, crank, slider, etc...that advances a new penetrating member 720 into launch position as seen in Figure 69A. The mechanism lifts a bar that allows the protective cavity to return to its original position in the plane of the disc.

In this embodiment as shown in Figure 69B, the penetrating member guide 722 presses through foil in rear of pocket to "home" penetrating member and control vertical clearance. For ease of illustration, actuation devices for moving the penetrating member guide 722 and other mechanisms are not shown. They may be springs, cams, or other devices that can lower and move the components shown in these figures. In some embodiments, the cartridge 700 may be raised or lowered to engage the penetrating member guide 722 and other devices.

As seen in Figure 69C, the plough or sterile enclosure release device 724 is lowered to engage the cartridge 700. In some embodiments, the disc or cartridge 700 may be raised part way upward until a plough or plow blade 724 pierces the sterility barrier 726 which may be a foil covering.

Referring now to Figure 69D, the plough 724 clears foil from front of pocket and leaves it attached to cartridge 700. The plough 724 is driven radially inward, cutting open the sterility barrier and rolling the scrap into a coil ahead of the plough. Foil naturally curls over and forms tight coil when plough lead angle is around 55deg to

horizontal. If angle of the plough may be between about 60-40degs, preferably closer to 55 degs. In some embodiments, the foil may be removed in such a manner that the penetrating member does not need to pierce any sterile enclosure materials during launch.

Referring now to Figure 69E, the gripper 716 may be lowered to engage the bare penetrating member or piercing member 720. Optionally, the disc or cartridge 8000 may be raised until the penetrating member 720 is pressed feirmlly into the gripper 716. Although not shown in the present figure, the penetrating member driver or actuator of the present embodiment may remain in the same horizontal plane as the penetrating member.

As seen in Figure 69F, a bar 730 may be pressed downward on the outer end 732 of the protective cavity to deflect it so it is clear of the path of the penetrating member. In the present embodiment, the bar 730 is shaped to allow the bare penetrating member 720 to pass through. It should be understood that other shapes and orientations of the bar (such as contacting only one side or part of end 732) may be used to engage the end 732.

Referring now to Figure 69G, an electrical solenoid or other electronic or feed-back controllable drive may actuate the gripper 716 radially outward, carrying the bare penetrating member 720 with it. The bare penetrating member projects from the protective case and into the skin of a finger or other tissue site that has been placed over the aperture of the actuator assembly. Suitable penetrating member drivers are described in commonly assigned, copending U.S. Patent Application Ser. No. 10/127,395 (Attorney Docket No. 38187-2551) filed April 19, 2002.

Referring now to Figure 69H, the solenoid or other suitable penetrating member driver retracts the bare penetrating member 720 into a retracted position where it parks until the beginning of the next lancing cycle.

Referring now to Figure 69I, bar 730 may be released so that the end 150 returns to an in-plane configuration with the cartridge 800.

As seen in Figure 69J, the gripper 716 may drive a used bare penetrating member radially outward until the sharpened tip is embedded into a plastic wall 714 at or near the outward end 732 of the cavity thus immobilizing the contaminated penetrating member.

As seen in Figures 69K and 69L, the plough 724, the gripper 716, and penetrating member guide 722 may all be disengaged from the bare penetrating member 720.

Optionally, it should be understood that the advance mechanism may lower the cartridge

700 from the gripper 716. The used penetrating member, restrained by the tip embedded in plastic, and by the cover foil at the opposite end, is stripped from the gripper. The disc or cartridge 700 may be rotated until a new, sealed, sterile penetrating member is in position under the launch mechanism.

Referring now to Figures 70 and 71, one object for some embodiments of the invention is to include blood sampling and sensing on this penetrating member actuation device. In the present embodiment, the drive mechanism (gripper 738 and solenoid drive coil 739) may be used to drive a penetrating member into the skin and couple this lancing event to acquire the blood sample as it forms at the surface of the finger. In a first 5 embodiment shown in Figure 70, microfluidic module 740 bearing the analyte detecting member chemistry and detection device 742 (Figure 71) is couple on to the shaft of the penetrating member 720. The drive cycle described above may also actuate the module 740 so that it rests at the surface of the finger to acquire blood once the penetrating 10 member retracts from the wound. The module 740 is allowed to remain on the surface of the finger or other tissue site until the gripper 738 has reached the back end 744 of the microfluidics module 740, at which point the module is also retracted into the casing. The amount of time the module 740 remains on the finger, in this embodiment, may be varied based on the distance the end 744 is located and the amount of time it takes the 15 gripper to engage it on the withdrawal stroke. The blood filled module 740, filled while the module remains on pierced tissue site, may then undergo analyte detection by means such as optical or electrochemical sensing.

The blood may be filled in the lumen that the penetrating member was in or the module may have separately defined sample chambers to the side of the penetrating 20 member lumen. The analyte detecting member may also be placed right at the immediate vicinity or slightly setback from the module opening receiving blood so that low blood volumes will still reach the analyte detecting member. In some embodiments, the analyte sensing device and a visual display or other interface may be on board the apparatus and thus provide a readout of analyte levels without need to plug apparatus or a test strip into 25 a separate reader device. As seen in Figure 71, the cover 746 may also be clear to allow for light to pass through for optical sensing. The analyte detecting member may be used with low volumes such as less than about 1 microliter of sample, preferably less than about 0.6 microliter, more preferably less than about 0.3 microliter, and most preferably less than about 0.1 microliter of sample.

30 In another embodiment as seen in Figure 72, sensing elements 760 may be directly printed or formed on the top or bottom of the penetrating member cartridge 700, depending on orientation. The bare penetrating member 720 is then actuated through a

hole 762 in the plastic facing, withdrawn into the radial cavity followed by the blood sample. Electrochemical or optical detection for analyte sensing may then be carried out (Figure 72). Again the cavity 766 may have a clear portion to allow light to pass for optical sensing. In one embodiment, a multiplicity of miniaturized analyte detecting member fields may be placed on the floor of the radial cavity as shown in Figure 72 or on the microfluidic module shown in Figure 71 to allow many tests on a single analyte from a single drop of blood to improve accuracy and precision of measurement. Although not limited in this manner, additional analyte detecting member fields or regions may also be included for calibration or other purposes.

10 Referring now to Figure 73, a still further embodiment of a cartridge according to the present invention will be described. Figure 73 shows one embodiment of a cartridge 800 which may be removably inserted into an apparatus for driving penetrating members to pierce skin or tissue. The cartridge 800 has a plurality of penetrating members 802 that may be individually or otherwise selectively actuated so that the penetrating members 802
15 may extend outward from the cartridge, as indicated by arrow 804, to penetrate tissue. In the present embodiment, the cartridge 800 may be based on a flat disc with a number of penetrating members such as, but in no way limited to, (25, 50, 75, 100, ...) arranged radially on the disc or cartridge 800. It should be understood that although the cartridge 800 is shown as a disc or a disc-shaped housing, other shapes or configurations of the
20 cartridge may also work without departing from the spirit of the present invention of placing a plurality of penetrating members to be engaged, singly or in some combination, by a penetrating member driver.

Each penetrating member 802 may be contained in a cavity 806 in the cartridge 800 with the penetrating member's sharpened end facing radially outward and may be in
25 the same plane as that of the cartridge. The cavity 806 may be molded, pressed, forged, or otherwise formed in the cartridge. Although not limited in this manner, the ends of the cavities 806 may be divided into individual fingers (such as one for each cavity) on the outer periphery of the disc. The particular shape of each cavity 806 may be designed to suit the size or shape of the penetrating member therein or the amount of space desired for
30 placement of the analyte detecting members 808. For example and not limitation, the cavity 806 may have a V-shaped cross-section, a U-shaped cross-section, C-shaped cross-section, a multi-level cross section or the other cross-sections. The opening 810 through

which a penetrating member 802 may exit to penetrate tissue may also have a variety of shapes, such as but not limited to, a circular opening, a square or rectangular opening, a U-shaped opening, a narrow opening that only allows the penetrating member to pass, an opening with more clearance on the sides, a slit, a configuration as shown in Figure 75, or the other shapes.

In this embodiment, after actuation, the penetrating member 802 is returned into the cartridge and may be held within the cartridge 800 in a manner so that it is not able to be used again. By way of example and not limitation, a used penetrating member may be returned into the cartridge and held by the launcher in position until the next lancing event. At the time of the next lancing, the launcher may disengage the used penetrating member with the cartridge 800 turned or indexed to the next clean penetrating member such that the cavity holding the used penetrating member is positioned so that it is not accessible to the user (i.e. turn away from a penetrating member exit opening). In some embodiments, the tip of a used penetrating member may be driven into a protective stop that holds the penetrating member in place after use. The cartridge 800 is replaceable with a new cartridge 800 once all the penetrating members have been used or at such other time or condition as deemed desirable by the user.

Referring still to the embodiment in Figure 73, the cartridge 800 may provide sterile environments for penetrating members via seals, foils, covers, polymeric, or similar materials used to seal the cavities and provide enclosed areas for the penetrating members to rest in. In the present embodiment, a foil or seal layer 820 is applied to one surface of the cartridge 800. The seal layer 820 may be made of a variety of materials such as a metallic foil or other seal materials and may be of a tensile strength and other quality that may provide a sealed, sterile environment until the seal layer 820 is penetrated by a suitable or penetrating device providing a preselected or selected amount of force to open the sealed, sterile environment. Each cavity 806 may be individually sealed with a layer 820 in a manner such that the opening of one cavity does not interfere with the sterility in an adjacent or other cavity in the cartridge 800. As seen in the embodiment of Figure 73, the seal layer 820 may be a planar material that is adhered to a top surface of the cartridge 800.

Depending on the orientation of the cartridge 800 in the penetrating member driver apparatus, the seal layer 820 may be on the top surface, side surface, bottom

surface, or other positioned surface. For ease of illustration and discussion of the embodiment of Figure 73, the layer 820 is placed on a top surface of the cartridge 800. The cavities 806 holding the penetrating members 802 are sealed on by the foil layer 820 and thus create the sterile environments for the penetrating members. The foil layer 820 may seal a plurality of cavities 806 or only a select number of cavities as desired.

5 In a still further feature of Figure 73, the cartridge 800 may optionally include a plurality of analyte detecting members 808 on a substrate 822 which may be attached to a bottom surface of the cartridge 800. The substrate may be made of a material such as, but not limited to, a polymer, a foil, or other material suitable for attaching to a cartridge and holding the analyte detecting members 808. As seen in Figure 73, the substrate 822 may hold a plurality of analyte detecting members, such as but not limited to, about 10-50, 50-100, or other combinations of analyte detecting members. This facilitates the assembly and integration of analyte detecting members 808 with cartridge 800. These analyte detecting members 808 may enable an integrated body fluid sampling system where the penetrating members 802 create a wound tract in a target tissue, which expresses body fluid that flows into the cartridge for analyte detection by at least one of the analyte detecting members 808. The substrate 822 may contain any number of analyte detecting members 808 suitable for detecting analytes in cartridge having a plurality of cavities 806. In one embodiment, many analyte detecting members 808 may be printed onto a single substrate 822 which is then adhered to the cartridge to facilitate manufacturing and simplify assembly. The analyte detecting members 808 may be electrochemical in nature. The analyte detecting members 808 may further contain enzymes, dyes, or other detectors which react when exposed to the desired analyte. Additionally, the analyte detecting members 808 may comprise of clear optical windows that allow light to pass into the body fluid for analyte analysis. The number, location, and type of analyte detecting member 808 may be varied as desired, based in part on the design of the cartridge, number of analytes to be measured, the need for analyte detecting member calibration, and the sensitivity of the analyte detecting members. If the cartridge 800 uses an analyte detecting member arrangement where the analyte detecting members are on a substrate attached to the bottom of the cartridge, there may be through holes (as shown in Figure 76), wicking elements, capillary tube or other devices on the cartridge 800 to allow body fluid to flow from the cartridge to the analyte detecting members 808 for analysis. In

other configurations, the analyte detecting members 808 may be printed, formed, or otherwise located directly in the cavities housing the penetrating members 802 or areas on the cartridge surface that receive blood after lancing.

The use of the seal layer 820 and substrate or analyte detecting member layer 822
5 may facilitate the manufacture of these cartridges 10. For example, a single seal layer 820 may be adhered, attached, or otherwise coupled to the cartridge 800 as indicated by arrows 824 to seal many of the cavities 806 at one time. A sheet 822 of analyte detecting members may also be adhered, attached, or otherwise coupled to the cartridge 800 as indicated by arrows 825 to provide many analyte detecting members on the cartridge at
10 one time. During manufacturing of one embodiment of the present invention, the cartridge 800 may be loaded with penetrating members 802, sealed with layer 820 and a temporary layer (not shown) on the bottom where substrate 822 would later go, to provide a sealed environment for the penetrating members. This assembly with the temporary bottom layer is then taken to be sterilized. After sterilization, the assembly is taken to a
15 clean room (or it may already be in a clean room or equivalent environment) where the temporary bottom layer is removed and the substrate 822 with analyte detecting members is coupled to the cartridge as shown in Figure 73. This process allows for the sterile assembly of the cartridge with the penetrating members 802 using processes and/or temperatures that may degrade the accuracy or functionality of the analyte detecting
20 members on substrate 822. As a nonlimiting example, the entire cartridge 800 may then be placed in a further sealed container such as a pouch, bag, plastic molded container, etc...to facilitate contact, improve ruggedness, and/or allow for easier handling.

In some embodiments, more than one seal layer 820 may be used to seal the cavities 806. As examples of some embodiments, multiple layers may be placed over
25 each cavity 806, half or some selected portion of the cavities may be sealed with one layer with the other half or selected portion of the cavities sealed with another sheet or layer, different shaped cavities may use different seal layer, or the like. The seal layer 820 may have different physical properties, such as those covering the penetrating members 802 near the end of the cartridge may have a different color such as red to
30 indicate to the user (if visually inspectable) that the user is down to say 10, 5, or other number of penetrating members before the cartridge should be changed out.

Referring now to Figures 74 and 75, one embodiment of the microfluidics used with the analyte detecting members 808 in cartridge 800 will now be described. For ease of illustration, the shape of cavity 806 has been simplified into a simple wedge shape. It should be understood that more sophisticated configurations such as that shown in Figure 5 73 may be used. Figure 74 shows a channel 826 that assists in drawing body fluid towards the analyte detecting members 808. In the present embodiment, two analyte detecting members 808 are shown in the cavity 806. This is purely for illustrative purposes as the cavity 806 may have one analyte detecting member or any other number of analyte detecting members as desired. Body fluid entering cavity 806, while filling 10 part of the cavity, will also be drawn by capillary action through the groove 826 towards the analyte detecting members 808. The analyte detecting members 808 may all perform the same analysis, they may each perform different types of analysis, or there may be some combination of the two (some sensors perform same analysis while others perform other analysis).

Figure 75 shows a perspective view of a cutout of the cavity 806. The penetrating member 802 (shown in phantom) is housed in the cavity 806 and may extend outward through a penetrating member exit opening 830 as indicated by arrow 832. The position of the tip of penetrating member 802 may vary, such as being near the penetrating member exit port or spaced apart from the exit. The location of the tip relative to the 20 analyte detecting member 808 may also be varied, such as being spaced apart or away from the analyte detecting member or collocated or in the immediate vicinity of the analyte detecting member. Fluid may then enter the cavity 806 and directed by channel 826. The channel 826 as shown in Figure 75 is a groove that is open on top. The channel 826 may be entirely a groove with an open top or it may have a portion that is has a 25 sealed top forming a lumen, or still further, the groove may be closed except for an opening near the penetrating member exit opening 830. It should be understood that capillary action can be achieved using a groove having one surface uncovered. In some embodiments, the analyte detecting member 808 is positioned close to the penetrating member exit opening 830 so that the analyte detecting member 808 may not need a 30 capillary groove or channel to draw body fluid, such as in Figure 78.

As seen in Figures 75 and 76, the cavity 806 may include the substrate 822 coupled to its bottom surface containing the analyte detecting members 808. With the

analyte detecting members 808 located on the underside of the cartridge 800 as seen in the embodiment of Figure 76, the cartridge 800 may include at least one through hole 834 to provide a passage for body fluid to pass from the cavity 806 to the analyte detecting member 808. The size, location, shape, and other features of the through hole 834 may be varied based on the cavity 806 and number of analyte detecting members 808 to be provided. In other embodiments, wicking elements or the like may be used to draw body fluid from the groove 826 to down to the analyte detecting member 808 via the through hole or holes 834.

Referring now to Figure 77, a variety of groove and analyte detecting member configurations are shown on a single cartridge. These configurations are shown only for illustrative purposes and a single cartridge may not incorporate each of these configurations. Some embodiments may use any of the detecting members, singly or in combination. It should be understood, however, that analyte detecting member configuration could be customized for each cavity, such as but not limited to, using a different number and location of analyte detecting members depending on lancing variables associated with that cavity, such as but not limited to, the time of day of the lancing event, the type of analyte to be measured, the test site to be lanced, stratum corneum hydration, or other lancing parameter. As a nonlimiting example, the detecting members may be moved closer towards the outer edge of the disc, more on the side walls, any combination, or the like.

Figure 77 shows a penetrating member 802 in a cavity 838 with three analyte detecting members 808 in the cavity. For ease of illustration, the penetrating member 802 is omitted from the remaining cavities so that the analyte detecting member configurations can be more easily seen. Cavity 840 has a channel 826 with two analyte detecting members 808. Cavity 842 has a channel 844 coupled to a single analyte detecting member 808. Cavities 846 and 848 have one and two analyte detecting members 808, respectively. The analyte detecting members 808 in those cavities may be located directly at the penetrating member exit from the cartridge or substantially at the penetrating member exit. Other analyte detecting member configurations are also possible, such as but not limited to, placing one or more analyte detecting members on a side wall of the cavity, placing the analyte detecting members in particular arrays (for example, a linear array, triangular array, square array, etc...) on the side wall or bottom

surface, using mixed types of analyte detecting members (for example, electrochemical and optical, or some other combination), or mixed positioning of analyte detecting members (for example, at least one analyte detecting member on the substrate below the cartridge and at least one analyte detecting member in the cavity).

5 Figure 78 shows an embodiment of cartridge 800 where the analyte detecting member 850 is located near the distal end of cavity 806. The analyte detecting member 850 may be formed, deposited, or otherwise attached there to the cartridge 800. In another embodiment, the analyte detecting member 850 may be a well or indentation having a bottom with sufficient transparency to allow an optical analyte detecting
10 member to detect analytes in fluid deposited in the well or indentation. The well or indentation may also include some analyte reagent that reacts (fluoresces, changes colors, or presents other detectable qualities) when body fluid is placed in the well. In a still further embodiment, analyte detecting member 850 may be replaced with a through hole
15 that allow fluid to pass there through. An analyte detecting member 808 on a substrate 822 may be attached to the underside of the cartridge 800, accessing fluid passing from the cavity 806 down to the analyte detecting member 808.

 As mentioned above, the analyte detecting members 808 may also be placed right at the immediate vicinity or slightly setback from the module opening receiving blood so that low blood volumes will still reach the analyte detecting member. The analyte
20 detecting members 808 may be used with low volumes such as less than about 1 microliter of sample, preferably less than about 0.6 microliter, more preferably less than about 0.3 microliter, and most preferably less than about 0.1 microliter of sample. Analyte detecting members 808 may also be directly printed or formed on the bottom of the penetrating member cartridge 800. In one embodiment, a multiplicity of miniaturized
25 analyte detecting member fields may be placed on the floor of the radial cavity or on the microfluidic module to allow many tests on a single analyte form a single drop of blood to improve accuracy and precision of measurement. Although not limited in this manner, additional analyte detecting member fields or regions may also be included for calibration or other purposes.

30 Referring now to Figures 79-84, further embodiments of the cartridge 800 will now be described. Figure 79 shows a cartridge 860 having a half-circular shape. Figure 80 shows a cartridge 862 in the shape of a partial curve. Figure 80 also shows that the

cartridges 862 may be stacked in various configurations such as vertically, horizontally, or in other orientations. Figure 81 shows a cartridge 864 having a substantially straight, linear configuration. Figure 82 shows a plurality of cartridges 864 arranged to extend radially outward from a center 866. Each cartridge may be on a slide (not shown for simplicity) that allows the cartridge 864 to slide radially outward to be aligned with a penetrating member launcher. After use, the cartridge 864 is slide back towards the center 866 and the entire assembly is rotated as indicated by arrow 868 to bring a new cartridge 864 into position for use with a penetrating member driver. Figure 83 shows a still further embodiment where a plurality of cartridges 800 may be stacked for use with a penetrating member driver (see Figure 85). The driver may be moved to align itself with each cartridge 800 or the cartridges may be moved to alight themselves with the driver. Figure 84 shows a still further embodiment where a plurality of cartridge 864 are coupled together with a flexible support to define an array. A roller 870 may be used to move the cartridges 864 into position to be actuated by the penetrating member driver 872.

Referring now to Figure 85, one embodiment of an apparatus 880 using a radial cartridge 800 with a penetrating member driver 882 is shown. A contoured surface 884 is located near a penetrating member exit port 886, allowing for a patient to place their finger in position for lancing. Although not shown, the apparatus 880 may include a human readable or other type of visual display to relay status to the user. The display may also show measured analyte levels or other measurement or feedback to the user without the need to plug apparatus 880 or a separate test strip into a separate analyte reader device. The apparatus 880 may include a processor or other logic for actuating the penetrating member or for measuring the analyte levels. The cartridge 800 may be loaded into the apparatus 880 by opening a top housing of the apparatus which may be hinged or removably coupled to a bottom housing. The cartridge 800 may also drawn into the apparatus 880 using a loading mechanism similar in spirit to that found on a compact disc player or the like. In such an embodiment, the apparatus may have a slot (similar to a CD player in an automobile) that allows for the insertion of the cartridge 800 into the apparatus 880 which is then automatically loaded into position or otherwise seated in the apparatus for operation therein. The loading mechanism may be mechanically powered or electrically powered. In some embodiments, the loading mechanism may use a loading tray in addition to the slot. The slot may be placed higher on the housing so that the

cartridge 800 will have enough clearance to be loaded into the device and then dropped down over the penetrating member driver 882. The cartridge 800 may have an indicator mark or indexing device that allows the cartridge to be properly aligned by the loading mechanism or an aligning mechanism once the cartridge 800 is placed into the apparatus 5 880. The cartridge 800 may rest on a radial platform that rotates about the penetrating member driver 882, thus providing a method for advancing the cartridge to bring unused penetrating members to engagement with the penetrating member driver. The cartridge 800 on its underside or other surface, may be shaped or contoured such as with notches, grooves, tractor holes, optical markers, or the like to facilitate handling and/or indexing of 10 the cartridge. These shapes or surfaces may also be varied so as to indicate that the cartridge is almost out of unused penetrating members, that there are only five penetrating members left, or some other cartridge status indicator as desired.

A suitable method and apparatus for loading penetrating members has been described previously in commonly assigned, copending U.S. patent applications Attorney 15 Docket 38187-2589 and 38187-2590, and are included here by reference for all purposes. Suitable devices for engaging the penetrating members and for removing protective materials associated with the penetrating member cavity are described in commonly assigned, copending U.S. patent applications Attorney Docket 38187-2601 and 38187-2602, and are included here by reference for all purposes. For example in the 20 embodiment of Figure 78, the foil or seal layer 820 may cover the cavity by extending across the cavity along a top surface 890 and down along the angled surface 892 to provide a sealed, sterile environment for the penetrating member and analyte detecting members therein. A piercing element described in U.S. patent applications Attorney Docket 38187-2602 has a piercing element and then a shaped portion behind the element 25 which pushes the foil to the sides of the cavity or other position so that the penetrating member 802 may be actuated and body fluid may flow into the cavity.

Referring now to Figure 86, a still further embodiment of a lancing system according to the present invention will be described. A radial cartridge 500 may be incorporated for use with a penetrating member driver 882. A penetrating member may 30 be driven outward as indicated by arrow 894. A plurality of analyte detecting members are presented on a roll 895 that is laid out near a penetrating member exit. The roll 895 may be advanced as indicated by arrow 896 so that used analyte detecting members are

5 moved away from the active site. The roll 895 may also be replaced by a disc holding a plurality of analyte detecting members, wherein the analyte detecting member disc (not shown) is oriented in a plane substantially orthogonal to the plane of cartridge 500. The analyte detecting member disc may also be at other angles not parallel to the plane of cartridge 500 so as to be able to rotate and present new, unused analyte detecting member in sequence with new unused penetrating members of cartridge 500.

Referring now to Figure 87A, the cartridge 500 provides a high density packaging system for a lancing system. This form factor allows a patient to load a large number penetrating members through a single cartridge while maintaining a substantially
10 handheld device. Of course such a cartridge 500 may also be used in non-handheld devices. The present cartridge 500 provide a high test density per volume of the disposable. For embodiments of a cartridge that includes analyte detecting members in addition to penetrating members such as cartridge 800, the density may also be measured in terms of density of analyte detecting members and penetrating members in a
15 disposable. In other embodiments, the density may also be expressed in terms of analyte detecting members per disposable. For example, by taking the physical volume of one embodiment or the total envelope, this number can be divided by the number of penetrating members or number of tests. This result is the volume per penetrating member or per test in a cassetted fashion. For example, in one embodiment of the present
20 invention, the total volume of the cartridge 500 is determined to be 4.53 cubic centimeters. In this one embodiment, the cartridge 500 holds 50 penetrating members. Dividing the volume by 50, the volume per test is arrived at 0.090 cubic centimeters. Conventional test devices such as drum is in the range of 0.720 or 0.670 cubic centimeters and that is simply the volume to hold a plurality of test strips. This does not
25 include penetrating members as does the present embodiment 800. Thus, the present embodiment is at a substantially higher density. Even a slightly lower density device having penetrating members and analyte detecting members in the 0.500 cubic centimeter range would be a vast improvement over known devices since the numbers listed above for known devices does not include penetrating members, only packaging per test strip.

30 Each penetrating member (or penetrating member and analyte detecting member, as the case may be) may have a packing density, or occupied volume, in cartridge 500. In various embodiments, the packing density or occupied volume of each penetrating

member in cartridge 500 may be no more than about 0.66 cm³, 0.05 cm³, 0.4 cm³, 0.3 cm³, 0.2 cm³, 0.1 cm³, 0.075 cm³, 0.05 cm³, 0.025 cm³, 0.01 cm³, 0.090 cm³, 0.080 cm³, and the like. These numbers applicable to volumes for penetrating members alone, or for combined penetrating members and analyte detecting members. In other words, the

5 volume required for each penetrating member does not exceed 0.66 cm³/penetrating member, 0.05 cm³/penetrating member, 0.4 cm³/penetrating member, 0.3 cm³/penetrating member, 0.2 cm³/penetrating member, 0.1 cm³/penetrating member, 0.075 cm³/penetrating member, 0.05 cm³/penetrating member, 0.025 cm³/penetrating member, 0.01 cm³/penetrating member, 0.090 cm³/penetrating member and the like. So,

10 if the total package volume of the cartridge is defined as X and the cartridge includes Y number of penetrating members, penetrating members and test area, or other unit 395, the volume for each unit does not exceed 0.66 cm³, 0.05 cm³, 0.4 cm³, 0.3 cm³, 0.2 cm³, 0.1 cm³, 0.075 cm³, 0.05 cm³, 0.025 cm³, 0.01 cm³, 0.090 cm³, 0.080 cm³, and the like.

Referring now to Figure 87B, a still further embodiment of a cartridge according

15 to the present invention will now be described. Figure 87B shows a cross-section of a conical shaped cartridge with the penetrating member being oriented in one embodiment to move radially outward as indicated by arrow 897. In another embodiment, the penetrating member may be oriented to move radially inward as indicated by arrow 895. The gripper may be positioned to engage the penetrating member from an inner surface or

20 an outer surface of the cartridge.

Referring now to Figure 88, nanowires may also be used to create low volume analyte detecting members used with the cartridge 800. Further details of a nanowire device is described in commonly assigned, copending U.S. Provisional Patent Application Ser. No. 60/433,286 (Attorney Docket No. 38187-2605) filed December 13, 2002, fully

25 incorporated herein by reference for all purposes. These nanowire analyte detecting members 898 may be incorporated into the cavity 806 housing the penetrating member 802. They may be placed on the floor or bottom surface of the cavity 806, on the wall, on the top surface, or any combinations of some or all of these possibilities. The analyte detecting members 898 may be designed to have different sensitivity ranges so as to

30 enhance the overall sensitivity of an array of such analyte detecting members. Methods to achieve this may include, but are not limited to, using nanowires of varying sizes, varying the number of nanowires, or varying the amount of glucose oxidase or other

glucose detection material on the nanowires. These nanowire analyte detecting members may be designed to use low volumes of body fluid for each sample, due to their size. In some embodiments, each of the analyte detecting members are accurate using volumes of body fluid sample less than about 500 nanoliters. In some embodiments, each of the
5 analyte detecting members are accurate using volumes of body fluid sample less than about 300 nanoliters. In still other embodiments, each analyte detecting member is accurate with less than about 50 nanoliters, less than about 30 nanoliters, less than about 10 nanoliters, less than about 5 nanoliters, and less than about 1 nanoliters of body fluid sample. In some embodiments, the combined array of analyte detecting members uses
10 less than 300 nanoliters of body fluid to arrive at an analyte measurement.

Referring now to Figure 89, a still further embodiment of the present invention will be described. Figure 89 shows one embodiment of an optical illumination system 910 for use with optical analyte detecting members (Figure 91) that may be in contact with a body fluid sample. The overall system may include a plurality of analyte detecting
15 members which provide some optical indicator, a light source 912 for providing light to shine on the analyte detecting members, at least one light detector 914, and a processor (not shown). The analyte detecting member or analyte detecting members are exposed to a sample of the fluid of unknown composition. A plurality of analyte detecting members may be arranged into an array of analyte detecting members exposed to one fluid sample,
20 each group targeting a specific analyte and may contain an analyte-specific chemical that interacts more specifically with one analyte than with some other analytes to be analyzed. Each analyte detecting member may also have different sensitivity ranges so as to maximize overall sensitivity of an array of such analyte detecting members. The light source 912 shines light on at least one analyte detecting member to cause light
25 interaction. The differences in the analyte detecting members may lead to differences in the light interaction. The light detector detects the light interaction by the analyte detecting members. The processor analyzes the light interaction by the analyte detecting members to take into account interference in light interaction among the analytes, thereby determining the concentration of the desired analyte in the fluid.

30 Referring still to the embodiment of Figure 89, the light source 912 may be but is not limited to an LED. An alternative LED 915 may also be used with the present invention. Light, illumination, or excitation energy from LED 912 travels along a path

through a pinhole 916, a filter 917, and a lens 918. The light then comes into contact with a beamsplitter 919 such as a dichroic mirror or other device useful for beamsplitting. The light is then directed towards lens 920 as indicated by arrow 921. The lens 920 focuses light onto the analyte detecting member (Figure 91). This excitation energy may cause a detectable optical indicator from the analyte detecting member. By way of example and not limitation, fluorescence energy may be reflected by up the lens 920. This energy passes through the beamsplitter 919 and to lens 922 which is then received by detector 914 as indicated by arrow 923. The detector 914 measures the energy and this information is passed on to the processor (not shown) to determine analyte levels. The illumination system 910 may also include cells 924 on the disc surface. In this specific embodiment, a penetrating member 925 driven by a force generator 926 such as but not limited to a solenoid may be used to obtain the fluid sample. A detent 927 may also be included with the device along with other bare lancets or penetrating members 928.

Referring now to Figure 90, another embodiment of the illumination system 910 is shown for use with a cartridge 929. Cartridge 929 is similar to cartridge 800. Cartridge 929 is a single cartridge having a plurality of penetrating members and a plurality of optical analyte detecting members (not shown). The cartridge 929 further includes a plurality of optically transparent portions 930 which may be but is not limited to windows or the like for the light from LED 912 to shine into a cavity of the cartridge 929. In one embodiment, each cavity of the cartridge 929 may include at least one transparent portion 930. This allows the light to generate energy that may be read by analyte detecting member 914. The cartridge 929 may be used a driver 882 to actuate penetrating members and the cartridge 929 may rotate as indicated by arrow 931.

Referring now to Figure 91, a cross-section of a similar embodiment of the illumination system is shown. This system 932 has source 912 with a lens 933 having an excitation filter 934. This excitation filter 934, in one embodiment, only allows excitation energy to pass. This filter 934 allows the excitation energy to pass to dichroic mirror 935, but does not let it return to source 912. Excitation energy is reflected down as indicated by arrow 936. Lens 937 focuses the energy to optical analyte detecting member 938. Fluorescence energy 939 passes through the dichroic mirror 935 and towards a fluorescent filter 940. In one embodiment, the fluorescent filter 940 only allows fluorescent energy to pass through to lens 941. Thus, the detector 914 only receives

fluorescent energy from the analyte detecting member 938. It should be understood of course, that the filter may be changed to allow the type of energy being generated by analyte detecting member 938 to pass. In some embodiments, no filter may be used. The dichroic mirror 935 may be a Bk7 substrate, 63x40x8mm. The filters may also be a Bk7
5 substrate about 40mm in diameter and about 6mm thick. The lens 933, 937, and 941 may be achromat: bfl=53.6, working aperture 38mm.

Referring now to Figure 92, a still further embodiment of an illumination system 942 will be described. This system does not use a beamsplitter or dichroic mirror. Instead, both the source or LED 912 and detector 914 have direct line of sight to the
10 optical analyte detecting member 938. In this embodiment, multiple elements are combined into a single housing. For example, lens 943, lens 944, and filter 945 are combined while lens 946, lens 947, and filter 948 are also combined.

Referring now to Figure 93, a cross-section of a system similar to that of Figure 89 is shown in a housing 950. LED 912 sends light to mirror 919 to a light path 951 to
15 cells 924 on a surface of the disc. A finger access 952 allows a sample to be obtained and flow along a fluid pathway 953 to be analyzed. A processor 954 may be coupled to detector 914 to analyze the results.

Referring now to Figure 94, a cross-section of a system similar to that of Figure 90 will be further described. This shows a cartridge 929 used with a driver 882. This
20 allows for a radial design where the penetrating members extend radially outward as indicated by arrow 955. The driver 882 may have a coupler portion that reciprocates as indicated by arrow 956. Figures 95 and 96 provide further views of a system similar to that of Figure 89. The embodiment of Figures 95 and 96 may include additional lenses or filters as may be useful to refine energy detection.

Referring now to Figure 97, the area of interest is the velocity profile 1000 while
25 the lancet is cutting through the skin layers in the finger until it reaches a predetermined depth. More specifically, variation of lancet velocity through different phases of the inbound trajectory is shown in Figure 97. In this embodiment, Phase I corresponds to the stratum corneum, phase II to the epidermis and phase III to the dermis. At each phase
30 (and during the phase), the options are to maintain current velocity, increase current velocity or decrease current velocity. Based on the thickness of the stratum corneum, velocity could be monitored and changed in this embodiment at 9 points in the stratum

5 corneum, 6 points in the epidermis, and 29 points in the dermis using the four edge detection algorithm and the 360 strips per inch encoder strip. It should be noted that although the embodiment of the driver discussed herein produces the previously discussed number of monitoring points for a given displacement, other driver and position sensor embodiments may be used that would give higher or lower resolution.

10 For the purposes of the present discussion for this nonlimiting example, the skin is viewed as having three distinct regions or tissue layers: the stratum corneum SC (Phase I), the epidermis E (Phase II) and the dermis D (Phase III). In one embodiment, the lancet or penetrating member 10 is accelerated to a first desired velocity. This velocity may be predetermined or it may be calculated by the processor during actuation. The processor is also used to control the lancet velocity in tissue. At this velocity, the lancet 10 will impact the skin and initiate cutting through the stratum corneum. The stratum corneum is hard, hence in this embodiment, maximum velocity of the penetrating member 10 may be employed to efficiently cut through this layer, and this velocity may be maintained
15 constant until the lancet passes through the layer. Power will likely need to be applied to the lancet drive 12 while the lancet is cutting through the stratum corneum in order to maintain the first velocity. Average stratum corneum thickness is about 225 μm . Using a four-edge detection algorithm for the position sensor 14 of this embodiment, the opportunity to verify and feed back velocity information can be carried out at 225/17 or
20 roughly 13 points. In another embodiment accelerating through the stratum corneum following impact may improve cutting efficiency. Acceleration may be possible if the lancet has not reached its target or desired velocity before impact. Figure 4 shows the result of increasing ((a) arrows, maintaining ((b) arrows) or reducing ((c) arrows) velocity on the lancet trajectory for each of the tissue layers.

25 On reaching the epidermis E (Phase II), an embodiment of a method may decrease the velocity ((c) arrows) from the first velocity so that tissue compression is reduced in this second tissue layer. Thus the lancet 10, in this nonlimiting example, may have a second desired velocity that is less than the first velocity. The reduced speed in the second tissue layer may reduce the pain experienced by the mechano receptor nerve cells
30 in the dermal layer (third tissue layer). In the absence of tissue compression effects on the dermal layer, however, lancet velocity may be kept constant for efficient cutting (i.e.

second velocity may be maintained the same as the first velocity). In another embodiment, velocity may be increased in the second tissue layer from the first velocity.

In Phase III, the lancet or penetrating member 10 may reach the blood vessels and cut them to yield blood. The innervation of this third tissue layer and hence pain perception during lancing could be easily affected by the velocity profile chosen. In one embodiment, a third desired velocity may be chosen. The velocity may be chosen to minimize nerve stimulation while maintaining cutting efficiency. One embodiment would involve reducing velocity from the second velocity to minimize pain, and may increase it just before the blood vessels to be cut. The number of velocity measurement steps possible for the position sensor described above in the dermis is approximately 58. The user would determine the best velocity/cutting profile by usage. The profile with the least amount of pain on lancing, yielding a successful blood sample would be programmable into the device.

Currently users optimize depth settings on mechanical launchers by testing various settings and through usage, settle on a desired setting based on lancing comfort. Embodiments of the device and methods discussed herein provide a variety of velocity profiles (Figure 97), which can be optimized by the user for controlled lancing, and may include: controlling the cutting speed of a lancet with the lancet within the skin; adjusting the velocity profile of the lancet while the lancet is in the skin based upon the composition of the skin layers; lancing according to precise regional velocity profiles based on variation in cell type from the surface of the skin down through the epidermis and dermis; lancing at a desired velocity through any tissue layer and varying the velocity for each layer. This may include maximum velocity through the stratum corneum, mediation of velocity through epidermis to minimize shock waves to pain sensors in dermis, and mediation of velocity through dermis for efficient cutting of blood vessels without stimulating pain receptors. Additional details may be found in commonly assigned, co-pending U.S. Patent Application Ser. No. 10/420,535 (Attorney Docket No. 38187-2664) filed April 21, 2003, included herein by reference.

Referring now to Figure 98, a still further embodiment of an actuator according to the present invention will now be described. The present invention relates to an actuator 1010 that will launch a lancet or penetrating member 1020 into skin or an anatomical feature in a controlled manner so as to produce a small drop of blood or body fluid while

minimizing patient discomfort. As a nonlimiting example, energy stored in a compressed spring, gas, or other actuation technique is released to actuate a lancet 1020. Through the use of processor 1012, the motion of the lancet or penetrating member 1020 is controlled by an iron-loaded fluid 1022 that changes viscosity in response to an imposed magnetic field. A motor or other device (not shown) may be used to control the retraction rate of the lancet 1020 from the skin or other targeted anatomical feature. It should be understood, of course, that other magnetically controllable fluid as known to those skilled in the art may also be used.

Figure 98 documents the concept of using a magnetic fluid to control the action of a mechanical spring. In the embodiment of Figure 98, energy is stored in the compressed spring and released at the time of actuation. As previously discussed, other actuators besides the compressed spring may also be used without departing from the spirit of the present invention. The motion of the lancet is controlled by means of an electromagnet that is arranged to produce a magnetic field in a fluid consisting of fine iron particles suspended in oil, silicone fluid, or other medium. When a magnetic field is imposed on the fluid, the iron particles align with the field, and resist motion. Fluid firmness increases with field strength. A suitable fluid can be purchased as MRF-132AD Rheonetic Fluid from Lord Corporation (888) 811-5673.

Figure 99 provide details about launching and resetting the actuator for the present embodiment. A firing catch 1030 is shown to hold the spring 1010 in a cocked position prior to firing. An optically reflective member such as a flag 1032 is shown attached to the lancet coupler 1034 to provide position feedback through an optical position transducer. In some embodiments, the flag 1032 may be attached to a drive shaft (not shown). This feedback allows a processor 1012 to modulate the current to the electromagnetic coil or other magnetic field generator as known to one skilled in the art, to control the actuation profile of the lancet. A disc 1036 is shown attached to the penetrating member coupler 1034 and the disc is submerged in the rheonetic fluid. Suitable seals may be used to contain the fluid while allowing the shaft 1038 to pass through the dashpot chamber. In some embodiments, the disc 1036 is mounted about shaft 1040 and the entire dashpot chamber is also mounted about a portion of the shaft 1040. A motor 1042, or other retraction device is shown to move the dashpot and carry

the drive shaft back to the cocked position. The motor then resets the dashpot to the desired stop position, and the actuation cycle is ready to repeat.

One advantage of this design is that each actuator can be matched to a portion of the actuation cycle. Rapid energy release is provided by the spring 1010 to bring the
5 lancet or penetrating member 1020 up to speed. In one embodiment, excess energy stored in the spring allows the actuator 1010 to maintain the desired lancet speed regardless of skin or tissue consistency. The rheonetic fluid 1022 in the dashpot, controlled by the
10 electromagnet, dissipates the excess energy from the spring 1010. A DC reset motor 1042 can be driven at variable speeds by controlling the motor drive current. By this means, the retraction speed of the lancet can be controlled.

Another advantage of this present embodiment is that power consumption is reduced through the use of a small DC motor instead of a solenoid. The motor draws energy from a battery at a much lower rate and over a longer time, resulting in more
efficient battery use.

15 In another aspect, the present embodiment provides a device for storing and rapidly releasing energy. The device controls the release of stored energy to control motion, controls the release of energy to provide a low impact stop, controls the storage of energy to control retraction motion, and stores energy for rapid release at the start of the next cycle.

20 Figure 100 shows that embodiments of the lancet actuators of Figures 98 and 99 may be configured for use with a radial cartridge 1050 having a plurality of penetrating members 1020. Accordingly, these launchers may be coupled with single use or multiple use lancing devices. As a nonlimiting example, these devices may be used with a cartridge 500.

25 Figure 101 shows a more detailed view of one embodiment of an electromagnetic field generator 1052 coupled to a power source 1054 controlled by a processor 1012.

Figure 102 shows a still further embodiment similar to that shown in Figure 99. This embodiment includes an actuator 1010 (shown in this nonlimiting example to be a spring), a disc 1036 coaxially mounted about a shaft 1040 in a ferrofluid 1022, and a flag
30 1032 for monitoring lancet or penetrating member position. The launch device of Figure 102 may also be adapted for use with a radial cartridge (shown in phantom) having a plurality of penetrating members 1020 which may be coupled to the coupler 1034.

Referring still to Figure 102, energy is stored in the compressed spring used as actuator 1010 and is released at the time of actuation. In this embodiment, the motion of the penetrating member 1020 is controlled by an electromagnet 1052 that is arranged to produce a magnetic field in a fluid consisting of fine iron particles or other material suspended in but not limited to oil, silicone fluid, or other medium. When a magnetic field is imposed on the fluid, the iron particles align with the field, and resist motion. Fluid firmness increases with field strength. Such fluid can be purchased as MRF-132AD Rheonetic Fluid from Lord Corporation (888) 811-5673. A flag is shown attached to the drive shaft to provide position feedback through an optical position transducer. This feedback allows a processor to modulate the current to the electromagnetic coil to control the actuation profile of the lancet. A disc is shown attached to the drive shaft and submerged in the rheonetic fluid. Suitable seals are required to contain the fluid while allowing the shaft to pass through the dashpot chamber. A motor, or other driving device is shown to move the dashpot and carry the drive shaft back to the cocked position. The motor then resets the dashpot to the desired stop position, and the actuation cycle is ready to repeat. The advantage of this design is that each actuator may be matched to a portion of the actuation cycle. Rapid energy release is provided by the spring to bring the lancet up to speed. Excess energy stored in the spring allows the actuator to maintain the desired lancet speed regardless of skin consistency. The rheonetic fluid in the dashpot, controlled by the electromagnet, dissipates the excess energy from the spring. Of course, other dashpots or dampers as disclosed herein or as known to one of skill in the art may also be used. In one embodiment, a DC reset motor can be driven at variable speeds by controlling the motor drive current. By this motor, the retraction speed of the penetrating member 1020 can be controlled. A second advantage of this invention is that power consumption is reduced through the use of a small DC motor instead of a solenoid. The motor draws energy from a battery at a much lower rate and over a longer time, resulting in more efficient battery use. This hybrid device could also be configured to yield a "smart braking" pattern so that residual pain is minimized.

Referring now to Figures 103A to 103E, a still further embodiment of a lancing apparatus relates to the spring actuation of a lancet to pierce the skin of a finger to produce a drop of blood for analysis. Blood yield may be increased by causing the lancet to dwell at the end of its stroke, and then retract at a slower rate.

As seen in Figure 103A, one embodiment of a simple lancet launcher 1060 comprises a compressed spring 1062 driving a moving mass 1064 that is attached to a lancet or penetrating member 1020 that pierces the skin or a targeted anatomical feature. When released (as seen in Figure 103B), the spring 1062 accelerates the mass 1064 to a maximum speed at, or near, the point of contact between the lancet and skin. As the penetrating member 1020 pierces the skin or anatomical feature, the drive spring 1062 is extended and begins to slow the penetrating member 1020 (Figure 103C). The lancet penetration depth is set approximately by providing an adjustable mechanical stop 1066 for the moving mass. As soon as the mass and lancet are stopped (Figure 103D), the actuation spring 1062, which is extended by the momentum of the mass, begins to withdraw the lancet.

In some embodiments, electronic actuation methods can delay the start of the retraction, providing a dwell of the penetrating member 1020 in the skin or tissue to allow some visco-elastic setting of the skin and promoting blood yield. Electronic actuators can also withdraw the lancet slowly to allow the blood to fill the wound channel, also promoting blood yield.

One economical solution to the lancet dwell requirement is to detach the drive spring 1062 from the actuator housing, preventing extension of the spring. As illustrated in Figure 103A, the drive spring 1062 accelerates the mass 1064 and lancet 1020 to speed, then travels with the mass as the lancet enters the skin. At impact of the mass 1064 with the travel stop 1066, the spring 1062 continues to move until it is brought to a stop in a partially compressed state (Figure 103D). The drive spring 1062 then rebounds and carries the mass 1064 and lancet 1020 with it (Figure 103E). By adjusting the weight and spring constant of the drive spring, the length of dwell produced by the drive spring rebound can be varied. Some control over the retraction speed can be had through adjusting the weight and damping of the drive spring.

In a still further embodiment, adding a second, lower spring-constant, return spring 1070 can provide further control over the retraction speed. This return spring or return springs 1070 also insures that the penetrating member 1020 retracts into the actuator housing instead of relying on the kinetic energy of the rebounding drive spring 1070. As seen in Figures 104A-104C, a variety of return devices may be used. In Figure 104A, the rebounding drive spring 1070 comprises an elastomeric element. In Figure

104B, two rebounding springs 1072 and 1074 are used. As seen in Figure 104C, a single spring 1076 may be coaxially mounted about the penetrating member 1020. In one regard, the embodiments shown in Figures 103-104 allow some control over the dwell and retraction speed of the lancet without resorting to expensive electronics. As a
5 nonlimiting example, these embodiments of Figures 103-104 may provide a dwell time for a lancet while piercing skin, a slower retraction rate during lancet withdrawal, and positive retraction of the lancet. The mechanism may be purely mechanical and less costly than electronic solutions.

Referring now to Figure 105, a still further embodiment of an actuator according
10 to the present invention will now be described. The embodiment in Figure 105 includes an inbound drive device 1080 and an outbound retraction device 1082. As seen in the Figure 105, the inbound drive device 1080 is in its forward position. The inbound drive device 1080 includes a plunger 1084 mounted with a spring 1086. Pulling back on the plunger 1084 pulls back on the gripper block 1088 and compresses the spring 1086. In
15 this embodiment, a piston 1090 that slides into the damper 1092 also moves with the plunger 1084. As the plunger 1084 is pulled back, it will come to a position (not shown) where the latch 1094 engages the gripper block 1088 and holds the plunger 1084 in a launch position. A button or other linking device may be coupled to the latch 1094 to allow a user to launch the penetrating member 1020.

20 Moving the latch 1094 will release the gripper block 1088, release the energy in the compressed spring 1086, and drive the penetrating member 1020 towards the tissue or anatomical feature. It should be noted that in this embodiment, the open end 1096 of the damper 1092 is cone or funnel shaped. So initially, as the piston 1090 flies into the damper 1092, it is flying there through air. As the piston 1090 is advanced, it runs into a
25 narrowed portion of the damper 1092 that provides a close fit with the piston 1090. In some embodiments, there may be an interference fit between the piston 1090 and the narrowed portion of the damper 1092. In other embodiments, elastomeric material, other damping material, damping structure, or any combination of any of these elements may be used to provide a desired deceleration velocity profile. In this nonlimiting example,
30 the damper 1092 provides variable damping as it allows the gripper block 1088 to be accelerated to its terminal velocity, driving the penetrating member 1020 at this high velocity, before encountering the damper 1092. As the piston travels further into the

damper, the damping factor may increase and provide further deceleration to the gripper block 1088, thus also decelerating the penetrating member 1020. In one embodiment, the gripper block 1088 slows to near a complete stop prior to encountering the hard stop 1098 on the carrier 1100. In some embodiments, the hard stop 1098 may be covered with an elastomeric material, other damping material, damping structure, or any combination of
5 any of these elements to provide a controlled stop of the gripper block.

Referring still to the embodiment of Figure 105, the outbound retraction device 1082 may use a motor 1102, or motor/gear box combination, to turn a screw 1104 and retract carrier 1100 housing the inbound drive device 1080. A switch 1106 positioned at
10 the stop or some other sensor device may be used to indicate when the inbound stroke is completed. In other embodiments, the motor 1102 or motor/gear box combination may be activated prior to the gripper block 1088 impacting the stop or prior to the gripper block 1088 coming to a complete stop. In such an embodiment, a sensor (not shown) may be positioned at a location prior to the gripper block 1088 reaching the stop 1098 and
15 activate the motor 1102. This may provide a further method for decelerating or braking the gripper block 1088. In some embodiments, retraction by the outbound device 1082 may be delayed for a selectable amount of time such as, but not limited to, 1-200 ms to allow the penetrating member to come to rest in the tissue. In some further embodiments, retraction by the outbound device 1082 may be initiated for a selectable distance such as,
20 but not limited to, about 20-50 microns based on how far the screw 1104 pulls back on carrier 1126, and then stopped. It should be understood of course, that other distances such as about 50-75 microns, 75-100 microns, 100-125 microns may also be selected. This may be also used to minimize oscillation of the penetrating member 1020 against the tissue by withdrawing the penetrating member a small amount while the penetrating
25 member 1020 is coming to rest against the stop 1096. After the penetrating member 1020 has come to a stop, it may be held for a selectable amount of time, such as but not limited to 1-200ms and then withdrawn, or in some embodiments, it may be withdrawn without a delay period. All of the above elements may be coupled to a chassis 1108.

The depth of penetration by the penetrating member 1020 may also be determined
30 by using the screw 1104 to control the position of the carrier 1126. This controls depth since the protrusion distance by the penetrating member 1020 from the carrier 1126 is substantially constant. Thus by varying the position of the carrier 1126 in this

embodiment, the penetration depth of the member 1020 relative to the front end 1127 is selectable. The position of the carrier 1126 may be selectable before each lancing event. The position of carrier 1126 may be determined by the user. The position of carrier 1126 may also be determined by a processor (not shown) which may track the penetration
5 depth of previous lancing events and match it with some other variable such as but not limited to pain feedback number from the user, spontaneous blood generation, user hydration, or any other variable as described in commonly assigned, copending U.S. Patent Application Ser. No. 10/335,215 (Attorney Docket No. 38187-2634) filed
10 December 31, 2002. The screw 1104 may be controlled to provide varied depth control with resolution such as, but not limited to, about 1-5 microns, about 5-20 microns, other distance per adjustment. In some embodiments, this motor may be a stepper motor. In other embodiments, it may be an actuator such as but not limited to a pneumatic actuator, electric motor, or device with a position sensor to provide feedback as to carrier position.

Referring now to Figures 106 to 109 show a still further embodiment of a device
15 having an inbound drive device 1110 and an outbound retraction device 1112. Referring now the configuration shown in Figure 106, the inbound drive device 1110 may include a spring 1086 coupled to a gripper block 1088. A plunger 1114 is provided for use with a damper 1116 mounted concentrically about the shaft of the plunger. A latch 1094 with a
20 flag portion 1118 is used to hold the gripper block 1088 in a launch position with the spring 1086 compressed. As seen in Figure 106, the penetrating member 1020 may be guided by a front bearing 1120 and a rear bearing 1122. It should be understood, that some embodiments may use one bearing, while other embodiments, may use two or more bearings. The type of clearance and support provided by the bearing may also be
25 selectable. As a nonlimiting example, the bearings 1120 and 1122 may be structures with openings therethrough and have side-to-side clearance from about 20-40 microns and a vertical clearance from about 40-60 microns. Other embodiments may have greater clearances such as, but not limited to, about 60-100 microns, about 100-300 microns, or the like.

Referring now to Figure 107, the device is now shown in a fired configuration
30 with the penetrating member 1020 positioned fully forward. As seen, the gripper block 1088 or penetrating member coupler is now resting against the stop 1126. Prior to the gripper block 1088 coming to a rest, the damper 1116 (shown more clearly in Figure 110)

will engage the plunger 1114 to slow the gripper block 1088 prior to the block coming to rest.

Referring now to Figure 108, the device is now shown with the plunger 1116 and gripper block 1088 in a fired configuration. However, the entire carrier 1130 having the gripper block 1088 and plunger 1116 is retracted in the direction indicated by arrow 1132. As the carrier 1130 is drawn into the position shown in Figure 108, the reset latch 1134 coupled to the chassis 1136 will lock into position against the gripper block 1088. With the reset latch 1134 in this position, the spring 1086 can be compressed and the gripper block 1088 moved back into its launch position by moving the carrier 1126 forward as shown in Figure 109.

Referring now to Figure 109, carrier 1130 is advanced as indicated by arrow 1140. As the carrier 1130 is advanced by the screw 1104, the latch 1094 will ride over the gripper block 1088 and then drop into place as shown in Figure 109. The position in Figure 109 shows the latch 1094 locked against the gripper block 1088. A flag 1142 or cam surface offset to the side of the latch 1094 will engage a flag 1144 or cam surface on the reset latch 1134. This moves the reset latch 1134 downward, releasing the latch from its locked position against the gripper block 1088. Eventually, the reset latch 1134 will ride underneath the gripper block 1088 until the reset latch 1134 comes to rest in a position as shown in Figure 106. In other embodiments, the reset latch 1124 may be coupled to a disposable such as a cartridge containing a plurality of penetrating members. In other embodiments, the reset latch 1134 may be attached to the same frame of reference as that of the motor 1102. It may be part of the launcher and not the disposable. As a nonlimiting example, a cantilever beam may run from the chassis portion under the motor 1102 to hold the reset latch 1134 in position, as part of the launcher and not the disposable.

Figure 110 shows an enlarged view of one embodiment of the damper 1116. The damper 1116 may have a surface 1150 that is funnel shaped and a second surface 1152 configured to engage the widened portion 1154 of the plunger 1114. It should be understood that the shape of the surface 1152 may be varied to create the desired velocity deceleration profile. As a nonlimiting example, the surface 1152 may define an interference fit with the plunger 1114. In another embodiment, the damper 1116 is made of an elastomeric material and may function to provide more resistance against motion in

one direction than another. This may be due in part to the elastomeric quality of the material which forms about the penetrating member during withdrawal from the damper 1116 to hold the penetrating member in. In some embodiments, the damper 1116 is cylindrical about plunger 1114. In other embodiments, the damper 1116 may simply be two opposing surfaces 1152 and 1153, without fully surround the shaft, that provides frictional resistance to the travel of the plunger 1114.

Referring now to Figure 111, a cross sectional view is shown of a spring-based penetrating member driver according to the present invention. In the embodiment of Figure 111, a gripper block 1160 is used to engage a penetrating member 1020. The gripper block 1160 is coupled to a shaft 1162 that has an enlarged end portion 1164. A drive spring 1166 is provided about the shaft 1162 and compresses between the gripper block 1160 and the protrusion 1168. In one embodiment, a second spring 1170 may also be provided and coupled to the shaft 1162 and the protrusion 1168. In such an embodiment, the second spring 1170 may be configured as a return spring to urge the penetrating member 1020 back into the cartridge after the member has penetrated tissue. In some embodiments, a soft stop 1172 may also be used to assist the return of the penetrating member 1020 into the cartridge 1173. A plunger 1174 may be pulled back in the direction indicated by arrow 1176 to place the gripper block 1160 and the penetrating member 1020 in a launch configuration. Release of trigger 1178 will cause the penetrating member 1020 to launch.

Referring now to Figure 112, it shown that in one embodiment where the gripper block extends into the cartridge 1173, the launcher and the cartridge 1173 maybe vertically separated as indicated by arrow 1180 to allow the cartridge 1173 which may be but is not limited to a disc shape, to rotate to position an unused penetrating member into contact with the gripper block 1160. Vertically separating the parts allows the cartridge 1173 to be rotated without the gripper block 1160 interfering. In other embodiments, the gripper block may be designed so that the penetrating member has a portion that extend upward to engage the gripper block. In still other embodiments, the separation between the cartridge and the launcher may be such that gripper block remains in the cartridge but travels in a radial groove and is lifted enough to allow an unused lancet to be rotated into position. Vertical separation as shown in Figure 112 may involve the user physically

pulling the parts away from each other or using cam surfaces such as those shown in Figure 55A.

Referring now to Figure 113, a still further embodiment is shown where a cartridge 1200 is shown in a cylindrical configuration. A penetrating member driver 1202 will be used to engage the penetrating members in the cartridge 1200. As a nonlimiting example, the driver may be an electromechanical device, a mechanical, spring-based device, or other actuator as described herein. Each cartridge 1200 may be rotated clockwise or counterclockwise to position the penetrating members into active alignment with the driver 1202. After each cartridge 1200 is ready to be disposed, it may be moved forward as indicated by arrow 1204 and ejected from the sampling device. Another cartridge 1206 shown in phantom may be moved forward by techniques using, but not limited to, a stepper motor, mechanical slider, or gravity to replace the used cartridge 1200. Figure 114 shows a still further embodiment wherein the penetrating member driver 1202 is positioned to be within the center opening of cartridge 1200 to engage each penetrating member. As a nonlimiting example, the cartridge 1200 may be advanced by a stepper motor (not shown) or a mechanical slider mechanism to position an unused penetrating member into alignment with the driver 1202.

Referring now to Figure 115, the number of penetrating members remaining in the cartridge 1210 may be determined using a variety of devices. The cartridge 1210 may have markings or notches 1212 detectable by device 1214 which will keep count of the number of penetrating members used. In other embodiments, a processor 1216 will track the number of actuations and use that number to determine the number of penetrating members that remain unused in the cartridge 1210. In such a configuration, the processor 1216 may assume that a new cartridge 1210 will contain X number of penetrating members and each actuation will reduce the number of unused penetrating members. Each time a new cartridge 1210 is loaded, the processor will assume that there are a full X number penetrating members available. The processor 1216 may also be coupled to the device 1214 to determine when the cartridge 1210 is rotated. Figure 115 also shows in phantom that a display 1218 may also be included to show the number of penetrating members remaining or other applicable variables to spring-based penetrating member driver 1220 as disclosed in commonly assigned, copending U.S. Patent Application Ser. No. 10/10/335,215 (Attorney Docket No. 38187-2634) filed December 31, 2002. The

device may include a slider for rotating the cartridge 1210 as shown in Figure 56A and/or buttons to adjust settings on the display. As seen in Figure 115, a plunger 1222 (shown in phantom) may be extended to protrude outward from a rear portion of the housing. In some embodiment the driver or just the plunger 1222 may extend above a top surface of the housing as seen in Figure 116.

Referring now to Figures 117 and 118, still further combinations of mechanical and electrical actuators are shown. In one embodiment, Figure 117 shows an electric driver 1230 for advancing a gripper block or coupler 1232 in the direction indicated by arrow 1234. A spring 1236 will be extended when the gripper block 1232 is moved. The spring 1236 will provide the retraction force and draw the gripper block 1232 and attached penetrating member back. In this embodiment, the electric driver 1230 will be relaxed or turned off after actuation, thus allowing the spring 1236 to draw the gripper block 1232 back.

Figure 118 shows another embodiment where, in the launch configuration, the spring 1236 is extended and the electric driver 1240 is in a forward position. From this forward position, the driver 1240 may advance the penetrating member 1020 into targeted tissue. After reaching desired depth, a trigger 1242 will release the driver 1240 and pull the entire driver 1240 and penetrating member 1020 in the direction indicated by arrow 1244. In some embodiments, this withdrawal motion may occur prior to the electric driver finishing its forward stroke.

Referring now to Figures 119 and 120, further embodiments of the present invention are shown where the depth of penetration into tissue may be set, in part, using a front end apparatus 1250. The front end apparatus 1250 is rotated as indicated by arrow 1252. Rotation in either direction will adjust the vertical separation 1254. This vertical separation 1254 will change how close tissue may be placed against the sampling device. The greater the vertical separation 1254, the less the penetrating member will protrude outward, and the less the penetration depth. Figure 120 shows an embodiment where the front end apparatus 1250 is recessed. This front end apparatus 1250 may be used with any of the penetrating member drivers described herein.

Referring now to Figure 121, a still further aspect of a drive mechanism according to the present invention will be described. Figure 121 shows a cam groove 1260 that is followed by penetrating member driver. As a nonlimiting example, the driver may be a

spring based device. The driver has a protrusion or follower that will follow the path provided by the cam groove 1260 to provide a desired velocity profile. One known device which also uses a cam groove is disclosed in U.S. Patent No. 5,318,584, fully incorporated herein by reference. The follower 1262 indicated by a circle will follow the groove downward on the inbound stroke portion 1264. After reaching maximum penetration, the follower 1262 will travel along the return portion 1266. This return portion will provide a slower return velocity as the groove 1260 is configured at a shallow slope that requires the follower 1262 to follow a longer path that may bring the follower around the backside of the cylinder as indicated by arrow 1268. This profile can provide a fast-in, slow-out velocity profile desired by some embodiments of the present invention. As a nonlimiting example, the return velocity may be $\frac{1}{2}$, $\frac{1}{4}$, or any other fraction, percentage or portion of the inbound velocity.

In yet another aspect of the present invention, the current engine functions as a variable reluctance device and may be composed of an electronic drive unit or solenoid, an optical position sensor and a mechanism to couple the whole to the lancet. As a nonlimiting example, the penetrating member actuator may comprise of 2 x 6800 mF capacitors, a CR 123A 3V lithium primary battery, and a 5-coil solenoid of 30G wire. In this embodiment, there is one circuit board, which contains a processor (MPS430) for controlling the user interface, and another processor (SX 28) controlling the drive coils. The penetrating member may be driven by a series of solenoid coils (of which currently there are five in this embodiment), which are enclosed in a coil pack and surround the coupler shaft proximally to the penetrating member. A magnetic bead or "slug" may be attached to the coupler shaft and is configured to slide within the axial lumen of the driver coils. The driver coils are made of windings of copper wire, such as but not limited to about 32 gauge. The coils or "solenoids" drive the penetrating member using either magnetic attraction or repulsion of the slug.

Several possibilities exist for modification of the current solenoid drive. The specific advantages to be achieved are a reduction in size, and increase in efficiency, thus reducing power consumption requirements during the lancing process.

In one embodiment of the solenoid according to the present invention, a five-coil configuration was conceived because of a desired stroke distance of 8mm determined from a displacement range needed to cover the sum of thick stratum corneum (up to 600

mm), tenting of about 1 mm or more and a maximum penetration of up to about 3.5 mm and acceleration distance enough to reach about 10 m/s. Stroke may be specified as the total displacement from one end of travel to the other end, or as a plus/minus (\pm) displacement from mid-stroke reference. Since these experiments were carried out it has
5 been determined through patient testing in the lab that shallow lancing to about 1 mm may be sufficient to obtain the volumes of blood required to fill a sample chamber of 0.5 μ l or less. Stroke distance, in such an embodiment, can therefore be reduced to (maximum tenting + depth + thickest stratum corneum = 1mm + 1mm + 0.6 mm) 2.6 mm without consequence. This could reduce the number of coils in the system, reducing the
10 size of the device and therefore lowering cost. It does require a slightly "fatter" set of coils since more turns may be used to maintain the drive power as well as a change in the slug size (longer) to reach the new spacing distance, but overall size should decrease.

In another embodiment of the solenoid, the flat coil embodiment was initially proposed as the first approach for driving the lancet electronically. In one embodiment, it
15 uses a metal flag be attached to the penetrating member shaft to drive the lancet rather than a metal "slug". This is somewhat disadvantageous to using bare penetrating members. The motivation for the flat coil configuration was miniaturization of the driver so as to fit in to a handheld glucose spot-monitoring device. Manufacturing of the coils can be by multi-layer printed circuit board (PCB) so it is straightforward. Such an
20 embodiment is shown in commonly assigned, copending U.S. Patent Application Ser. No. 38187-2551.

In yet another embodiment of the solenoid, the multi-coil penetrating member driver with programmable excitation of the various energizing coils acting on a movable
25 soft-iron "slug" works by timing the excitation of the various coils to provide motion in the desired direction. In some known configurations, there may be a series of stable "dead points" where the slug remains stationary unless the local coil is de-energized and the next coil is energized. This can create an inefficient "bumpy" force profile. The "rail-gun" approach provides a coil configuration for continuous (as opposed to step-wise) acceleration of the magnetic slug. It creates the required inhomogeneous magnet field to
30 propel the slug and the attached penetrating member at a progressively increasing speed towards the target. At no point does the magnetic field of the coil oppose the desired motion of the slug. It facilitates the "fast entry - delay - slow retraction" mode of

operation for minimum pain and maximum blood recovery. The coil could be wound with an increasing number of turns from the start point to the end point creating the required non-uniform magnetic field profile. A second coil could be wound in the remaining "free" space with increasing turns from the insertion point to the fully retracted point to implement retraction of the penetrating member, preferably at slow speed, using a weaker current feed. This economizes on electric drive power demand and uses the available space to the best advantage. Any desired time-dependent profile could be achieved with spatially uniform winding geometry and a programmable time-dependent current feed with current increasing with time for insertion, but decreasing with time for retraction

The excitation coils may also be divided into a set of adjacent smaller coils fed with increasing currents from start point to end point, either according to position or as an increasing function of time. Continuous acceleration (as opposed to a step-wise drive with separate coils in the prior-art multi-coil device) may favor long slim coil geometry. One practical advantage is simplicity: in the basic embodiment no electronic control circuitry is required, just a simple on-off current switching control. However it allows electronic control to be added to determine penetration depth, using appropriate depth sensing and feedback. A fail-safe feature would be to feed the retraction coil with a weak continuous current to ensure that the penetrating member is returned to the start position (full retraction). The soft-iron slug attached to the penetrating member may be replaced by a small permanent magnet attached to the penetrating member. Additional disclosure can be found in commonly assigned copending U.S. Patent Application Attorney Docket No. 38187-2551, incorporated herein by reference.

In another embodiment, slug shaping is based on the goal of increasing the force or efficiency of the coils by sculpting or changing the profile of the slug. The chisel point slug also fits in this category. The net result may be to reduce the size of the coil driver.

In one other embodiment, having two slugs in the field rather than one might increase the sensitivity to position and would require half of the energy. In addition large variations in force could be avoided making the control system more predictable and stable.

In yet another embodiment using a high voltage drive, this is a size reduction play by substituting the two-capacitor drive with a single smaller capacitor. The rationale for

the dual capacitor drive is that the resistance drops for the two capacitors in parallel and the circulating currents in the coils should be reduced. Substitution of a single capacitor will result in an increase in resistance and hence the current requirement goes up and therefore there is a loss of efficiency of charge storage because of the increase in the voltage drop.

5 In a further aspect of the present invention, a mechanical inbound/electric withdrawal configuration may be used for penetrating member actuation and withdrawal. Figure 122 shows such an embodiment. Cheap mechanical actuation such as spring or cam drives 1300 may be supplemented by electronic withdrawal device 1310 for slow out retraction of the penetrating member 1020. All of the embodiments below can be hybridized with a mechanical spring or cam driven inbound actuation. The mechanical inbound drives 1300 may be used with a soft braking mechanism such as but not limited to a soft stop 1312 or any other damping device disclosed herein or known to one of skill in the art. In the embodiment shown in Figure 122, the withdrawal device 1310 may be used to move the entire carrier 1314 having the mechanical inbound drive 1300. The use of electric withdrawal of a penetrating member 1020 from the anatomical feature at velocity less than that on the inbound may be used to increase the likelihood spontaneous fluid generation from a wound created in the feature. These components may all be contained in a housing 1320 (shown in phantom) that may optionally include an adjustable front end 1322 for adjusting depth of penetrating member penetration.

15 Referring now to Figure 123, the device 1310 is not coupled to the carrier 1314. It maybe used to withdraw the spring launched penetrating member 1020 as indicated by arrow 1324. This allows the spring device to be pulled back and in some embodiments, reset for the next lancing event. It should be understood that the soft stop 1312 may also be configured to be on both sides of the penetrating member as shown in Figure 122.

25 In one embodiment of the present invention, a DC Gear motor may be used as the device 1310. In an embodiment similar that shown in Figure 102, spring actuation or dashpot can be used for the inbound and the spring stays compressed against the dashpot. The motor 1042 drags the dashpot back and compresses the spring on its way. It can even re-cock the spring. This is a small DC motor with a speed reducing gear head. The DC motor can drive a jackscrew such that the withdrawal can be achieved in small steps as required by switching the motor on and off (see 1042). Position feedback may be used for

better control. These motors are cheap and mass manufactured for cameras, toys and therefore this would be a cost reduction play.

In yet another embodiment of the present invention, a stepper motor may also be used as the device 1310. The stepper motor can replace the gear motor and tend to run at a lower speed. It can run open loop so that position feedback would not be required. These motors are precise and would give amore compact package and better control method. In yet another embodiment of the present invention, a inductive motor may be used. This was the very first concept investigated for driving the penetrating member due to its ability to move penetrating members at high speeds and large throw. Unfortunately it is not very efficient due hysteretic losses, and the control problem is complicated.

In yet another embodiment of the present invention, a nanomuscle may be used as device 1310. Nanomuscle actuators are based on shape memory alloys, that, when heated, their crystalline structures change and this result in mechanical contraction. Current is passed through the alloys to heat them. They claim to be over five times more efficient than a DC micro actuator of the equivalent size, faster and lighter. In one embodiment, they are about the size of a paperclip and are capable of 1,000,000 actuations. There are also supposed to produce rated force over their entire trajectory and allow position, speed and force to be controlled. In one embodiment, the extent of the nanomuscle stroke is about 4.0 mm, which should be enough to cover shallow lancing depth for a range of skin types. For a higher displacement or throw, several nano-muscles could be placed in series, thus raising the cost. Power consumption in the nanomuscle actuator is much less on the retraction phase than the actuation phase, which is why these devices were suggested for penetrating member withdrawal.

In yet another embodiment of the present invention, a liquid magnetic coil may be used as device 1310. Energy stored in a compressed spring, gas, or other means is released to actuate a penetrating member towards the skin or an anatomical feature. In one nonlimiting example, the velocity trajectory of the penetrating member is controlled by an iron-loaded fluid that changes viscosity in response to an imposed magnetic field. The current can be switched on when a desired slowing in the spring withdrawal (or inbound trajectory – see below for details and drawing) to produce a controlled withdrawal profile. The withdrawal profile could be computer controlled so that switching on the field occurs in a specified pattern to simulate the best profile.

In yet another embodiment of the present invention, a electromechanical hybrid may be used. As a nonlimiting example, cheap electronic drive for inbound (hybrid spring and magnetic fluid), combined with cheap electronic for withdrawal using the same hybrid design may be a way to design a cost effective device with performance requirements to achieve low pain and spontaneity. Alternatively a motor can be used to control the retraction rate of the penetrating member from the skin if it is more cost effective or performs better on the withdrawal phase. Many miniaturized motors tested have been deficient in either the inbound speed or the throw, so it may be that two different engine types will have to be contemplated to achieve the speed and throw of the current design.

In yet another embodiment of the present invention, a hybrid liquid magnetic coil may be used. A version of the hybrid electromechanical device for both actuation and retraction is shown below. The electromagnetic field generator 1052 is coupled to a power source 1054 controlled by a processor 1012.

Some embodiments of the present invention may also be configured to use a mechanical inbound with slow mechanical withdrawal or outbound device. As a nonlimiting example similar to that used with a cassette player lid, a dashpot device and would be coupled with a spring. This is a WYSIWYG system, so withdrawal will be at a (uncontrolled) uniform rate. No user definable withdrawal profile is the disadvantage of this set up.

In another nonlimiting example, a wax or other material with high thermal coefficient of expansion could be heated. As it expands and displaces a piston, it is coupled to a mechanism to withdraw the penetrating member. Similar to nanomuscle in actuation by heating.

In a still further nonlimiting example, a piezo electric bending mechanism may be used. There are electromechanical transducers that possess high motion and voltage sensitivity. Generally in motor applications two piezoelectric sheets are bonded together, one layer expands laterally and the other layer contracts when an electric field is applied. The opposing strains result in a deflection, which is proportional to the applied voltage, generating a displacement at low levels of electrical drive.

In a still further nonlimiting example, a traction drive may be used. A spinning rubber tire running at constant speed driven by DC motor drives a flat plate in contact

with its outer circumference to withdraw the penetrating member and compressing the actuation spring. This can be used in the same manner to actuate as well as withdraw the device.

Figure 124 shows a schematic view of a penetrating member driver 1350 where the drive may be, but is not limited to, a nanomuscle, a liquid magnetic coil actuation, a stepper motor, a micro-clutch device, and an inductive motor. The driver 1350 may be used to provide both inbound and outbound motion for the penetrating member 1020 attached to a coupler 1034.

Referring now to Figures 125 and 126, embodiments of the present invention may comprise kits containing any of the penetrating member actuators 1430 disclosed herein. The kit may further include instructions for use IFU setting forth any of the methods described above. Optionally, the kit may further comprise a cartridge containing a plurality of penetrating members. The cartridge 1432 may be of any of the embodiments disclosed herein. Usually, the kit components will be packaged together in a pouch P or other conventional medical device packaging, such as a box, tray, tube, or the like. In many embodiments, the cartridge will be disposable. The cartridge 1432 may itself be contained in a separate pouch or container and then inserted into the container P. In some embodiments, the IFU may be printed on the container P. In a nonlimiting example, the container P may only contain an actuator 1430, without the cartridge 1432.

Referring now to Figure 125, embodiments of the present invention may include kits that only include a cartridge 1432. IFU may also be included. In some embodiments, a plurality of cartridges 1432 (shown in phantom) may be included. Any of the elements in these figures or other elements described in this application may be placed in the container P, singly or in any combination. It should also be understood that the cartridges may be of any shape as disclosed herein and are not limited to disc shaped embodiments.

Referring now to Figure 126, a still further embodiment according to the present invention will now be described. Figure 126 shows an embodiment of a sampling device 1448 having a plurality of penetrating members 1450 housing in a cartridge (not shown) in the housing 1452. The penetrating members 1450 may be operatively coupled to a penetrating member driver 1454 to extend the penetrating member 1450 from a penetrating member exit 1456. In this embodiment, a test strip 1460 may be extended outward from an opening 1462 in a housing 1464. It should be understood that in some

embodiments, the housing 1452 and housing 1464 may be integrated together into a single housing. In other embodiments, the housings 1452 and 1464 may be separate devices that are coupled together. They may rotate in the same direction or in some embodiments may rotate in opposite directions. The housing 1464 may have its own slider or actuator for extending the test strip 1460 out from the housing 1464. The test strip may be of a type known to those of skill in the art for measuring analytes in a body fluid. One suitable device suitable for a housing 1464 is described in U.S. Patent 5,854,074 to Charlton et al., fully incorporated herein by references for all purposes. Although not limited to the following, the penetrating member driver 1454 may be a spring based launcher or any of the driver or combination of drivers disclosed herein.

Figure 127 shows that the device of Figure 126 may also be configured so that penetrating member 1450 is on top while the test strip 1460 is on the bottom (when held horizontally). Figure 128 shows that the device 1448 may be used in a vertical orientation. Figure 129 shows that the device 1448 may also be used in a horizontal orientation. As seen in Figure 129, the test strip 1460 may be made of flexible material such as a polymer or other material as known to those of skill in the art. This may allow gravity to bend the strip 1460 as shown in Figure 129 to bring the strip closer to the wound W on the tissue. Although not limited to the following, some embodiments of the test strip 1460 may have a capillary channels, tubes or members to draw fluid into the test strip 1460. Wicking members, wicking materials, or absorbent materials may also be used in other embodiments of the test strip or any of the above may be combined in any order on a test strip. In some embodiments, the test strip 1460 may be oriented to extend outward at a diagonal, relative to the penetrating member, so that the distal end of the strip 1460 will be brought closer to the wound created by the penetrating member.

Referring now to Figure 130, one embodiment of a cartridge 1470 according to the present invention and suitable for use with device 1448. The cartridge 1470 may be rotated as indicated by arrow 1472. One suitable device suitable for cartridge 1470 is described in U.S. Patent 5,854,074 to Charlton et al., fully incorporated herein by references for all purposes. In one embodiment, the test strip 1460 may be ejected from the sealed container area 1474 to engage fluid from the wound. After use, the test strip 1460 may be removed from the cartridge or it may be reinserted into the cartridge. In some embodiments, the test strip 1460 may be coupled to electrode leads 1476 which

extend back to contact pads 1478 that allow an analysis device to receive signal from a test strip. In one embodiment, a penetrating member 1450 (shown in phantom in Figure 130) may be associated with each test strip 1460. In some embodiments, the penetrating member 1450 may be in the same cartridge 1470 or in a separate cartridge in other
5 embodiments. It should be understood that the cartridge 1470 may be modified to include the features of the device disclosed in U.S. Patent 5,854,074 to Charlton et al. In other embodiments, the penetrating member 1451 may be aligned to one side or the other of container 1474.

Referring now to Figure 131, a still further embodiment of the present invention
10 will now be described. A penetrating member 1480 is housed in a cavity 1482. A sterility barrier 1484 is used to maintain the penetrating member 1480 and analyte detecting members 1486 in a sterile environment. In some embodiments, these analyte detecting members 1486 may be coupled to electrode leads to bring signals to an analyte measurement device. In still further embodiments, one or more fracturable seals 1487
15 (shown in phantom) may be included with the device.

Figure 132 shows the cartridge 1478 with the sterility barrier peeled back revealing the analyte detecting members 1486 and the penetrating member 1480. It should be understood that some embodiment may use only a single analyte detecting member 1486. Others may use analyte detecting members 1486 that operate in the
20 optical domain. The analyte detecting members 1486 may be individual elements as seen in Figure 132. In other embodiments, analyte detecting members 1486 may be circular in shape or other shape to take up the entire area 1488, substantially encircling the penetrating member exit.

Referring now to Figure 133, a still further embodiment of the present invention is
25 shown. The cartridge 1500 includes a plurality of test strips 1502. The test strips 1502 may be oriented as shown or may be configured as indicated by the test strip 1504 (shown in phantom). A second cartridge 1506 containing a plurality of penetrating members may be placed or lowered about the cartridge 1500. In some embodiments, the cartridges 1500 and 1506 may be integrated together. The penetrating members in the cartridge 1506
30 may extend outward as indicated by arrows 1508. In one embodiment, the penetrating members extend outward when they are in the active position and are operatively coupled to the penetrating member driver. The test strips may extend outward in substantially the

same direction as the arrows 1508. A suitable device for cartridge 1500 is shown in U.S. Patent No. 5,510,266 to Bonner, fully incorporated herein by reference for all purposes.

Referring now to Figure 134, yet another embodiment of the present invention is shown. A cartridge 1500 is shown having a plurality of test strips 1502. In some
5 embodiments, the test strip 1502 is raised so that the strip is brought near but is not pierced by the penetrating member. In other embodiments, the penetrating member 1450 may pierce the test strip 1502. A housing (not shown) may be implemented to hold these devices in the orientations shown.

Referring now to Figure 135, a still further embodiment of a cartridge 1520
10 according to the present invention is shown. There are portions 1522 where a plurality of penetrating members 1524 are housed. A penetrating member coupler (not shown) may be moved as indicated by arrows 1526. In another embodiment, the entire cartridge is rotated as indicated by arrow 1528. After the cartridge 1520 has made one complete
15 revolution, the penetrating member holder may be moved over one position as indicated by arrow 1526. The entire cartridge 1520 is then rotated again through one revolution, before the penetrating member coupler is shifted one more position as indicated by arrow 1528.

Referring now to Figure 136, a still further embodiment is shown where a
20 plurality of analyte detecting members 1502 are shown in a stack configuration. After each detecting member 1502 is used, it may be removed and a new one will be revealed. It may also be pushed up by a biasing member (not shown). The cartridge 1540 may be integrated with the cartridge 1452. It may also be shaped to be similar to the shape of cartridge 1452. Still further, a housing may be used to hold a cartridge 1540 in relation to the cartridge 1452. A user interface 1542 may be coupled to the device. A processor
25 1544 may be coupled to the device. A position sensor 1546 may be incorporated with the device so that lancing performance and/or tracking of position of the driver (and thus the penetrating member) may be monitored. Any of the embodiments of the present invention may be modified to include these elements.

The present invention provides a multiple analyte detecting member solution for
30 body fluid sampling. Specifically, some embodiments of the present invention provides a multiple analyte detecting member and multiple penetrating member solution to measuring analyte levels in the body. The invention may use a high density penetrating

member design. It may use penetrating members of smaller size, such as but not limited to diameter or length, than known penetrating members. The device may be used for multiple lancing events without having to remove a disposable from the device. The invention may provide improved sensing capabilities. At least some of these and other objectives described herein will be met by embodiments of the present invention.

One embodiment of the present invention is directed at penetrating member actuation using a linear stepper motor. Specifically, the invention relates to electronic penetrating member actuation with novel motor concepts.

Stepping motors may be viewed as electric motors without commutators.

Typically, all windings in the motor are part of the stator, and the rotor is either a permanent magnet or, in the case of variable reluctance motors, a toothed block of some magnetically soft material. All of the commutation may be handled externally by the motor controller, and typically, the motors and controllers are designed so that the motor may be held in any fixed position as well as being rotated one way or the other. Most steppers, as they are also known, can be stepped at audio frequencies, allowing them to spin quite quickly, and with an appropriate controller, they may be started and stopped "on a dime" at controlled orientations.

For some applications, there is a choice between using servomotors and stepping motors. Both types of motors offer similar opportunities for precise positioning, but they differ in a number of ways. Servomotors require analog feedback control systems of some type. Typically, this involves a potentiometer to provide feedback about the rotor position, and some mix of circuitry to drive a current through the motor inversely proportional to the difference between the desired position and the current position.

In making a choice between steppers and servos, a number of issues may be considered; which of these will matter depends on the application. For example, the repeatability of positioning done with a stepping motor depends on the geometry of the motor rotor, while the repeatability of positioning done with a servomotor generally depends on the stability of the potentiometer and other analog components in the feedback circuit.

Stepping motors can be used in simple open-loop control systems; these are generally adequate for systems that operate at low accelerations with static loads, but closed loop control may be essential for high accelerations, particularly if they involve

variable loads. If a stepper in an open-loop control system is overtorqued, all knowledge of rotor position is lost and the system may be reinitialized; servomotors are not subject to this problem.

Stepping motors come in two varieties, permanent magnet and variable reluctance (there are also hybrid motors, which are indistinguishable from permanent magnet motors from the controller's point of view). See for detailed explanation of stepper motors: <http://www.cs.uiowa.edu/~jones/step/types.html>

In a simple form, a linear voice coil actuator is a tubular coil of wire situated within a radially oriented magnetic field. The field is produced by permanent magnets embedded on the inside diameter of a ferromagnetic cylinder, arranged so that the magnets "facing" the coil are all of the same polarity. An inner core of ferromagnetic material set along the axial centerline of the coil, joined at one end to the permanent magnet assembly, is used to complete the magnetic circuit. The force generated axially upon the coil when current flows through the coil will produce relative motion between the field assembly and the coil, provided the force is large enough to overcome friction, inertia, and any other forces from loads attached to the coil.

The cost of voice coil actuators is generally expected to be higher than that of the solenoid because of the need for magnets (all other materials expected to be comparable). The relatively large air gaps of the voice coil actuators (resulting from the presence of the coils in air) tend to increase the power consumption for a given force compared to a solenoid. The overall dimensions proposed are dictated by the amount of travel desired and the space allocated for the ampere-turns. It may be that the round linear voice coil actuator has the highest suitability of all voice coil actuator as it is linear in motion, and has low moving mass.

Figure 137 shows a cross-section of a linear (moving coil) voice coil embodiment. In one embodiment, the voice coil has 64 turns in that 2 millimeter gap, at 30 gauge US. The magnet has a south pole against steel and the north pole is adjacent the steel central core. The flux lines cross straight through the steel central core and the steel casing. The flux lines then move radially away from the steel central core.

Figure 138 shows another embodiment of the present invention. Figure 138 shows one embodiment of a linear stepper motor 2050 in a flattened out configuration. This present embodiment relates to using a linear stepper motor concept flattened out to

drive a penetrating member or penetrating member. This is a moving magnet implementation. It should be understood that the present linear stepper motor device 2050 may be used for a variety of purposes in addition to driving a penetrating member or penetrating member.

5 In the embodiment of Figure 138, four coils 2052, 2054, 2056, and 2058 are aligned with a magnet 2060 passing through them. As a nonlimiting example, the coils may be interconnected such as 52 to 56 and 54 to 58, and the current direction may be reversed in the pairs of coils. There is good control of the drive mechanism because of the four coils. Of course, other number of coils may also be used with the drive device
10 and the current invention is not limited to four coil embodiments. In some embodiments, the stepper motor 2050 may have micro stepping capability. Micro stepping could be used as the motor 2050 could step 1/8 of a step and hold, and therefore the feedback circuit may be dropped altogether for positioning of the shaft 2062. However, even without a position sensor, the motor 2050 may still use a processor (not shown) to control
15 the positioning.

Normally, linear and rotary potentiometers may be used to sense position in servo systems utilizing voice coil technology. Other devices may be used when special considerations such as high resolution or space limitations preclude the use of potentiometers, as is the case for the present lancing device. Rotary feedback devices
20 include optical encoders, resolvers, inductosyns, or RVDT's (rotary variable differential transformers). Linear feed-inductosyns, magneto-resistive sensors (contactless pots), or LVDT's (linear variable differential transformers) are also used. An LVDT system was initially proposed for encoding position on the present lancing device. The current penetrating member actuator uses an optical encoder, as this provides an off-the-shelf
25 solution with high enough resolution for our needs.

Some embodiments of the present invention may increase the flux density through an increase in mass. There may be a limit to how large you would want to make the magnet to get enough flux density to achieve the acceleration desired for our lancing applications. The flux goes between the outer shell and the center magnet. The
30 advantage is good control due to the microstepper qualities of the present device.

Referring to now to Figure 139, a still further embodiment of the present invention will now be described. In this embodiment, the planar moving coil/voice coil driver 2080

implementation is shown. The present invention may be a planar voice coil configuration used to actuate the penetrating member. It should be understood of course that the voice coil driver 2080 may also be used for other purposes in addition to actuating the penetrating member or penetrating member. The embodiment shown in Figure 139 uses two magnets 2082 and 2084. Other number of magnets (both fewer or more magnets) may be used of course. The size and shape of the magnet may also be altered. As a nonlimiting example, the magnets could be extended in length. The device 2080 may be simple to machine, however the amount of copper used in the coil 2086 is outside of the casing 2088 and magnetic field, so that the return path for the flux is also outside of the field. The copper is cheap but heavier than iron because it is more dense. This would be the conventional way to approach non-axis symmetric voice coil actuation design. This flattened moving coil voice coil implementation may be used for penetrating member actuation.

As seen in Figure 139, the magnets 2082 and 2084 may be in one plane and the voice coil 2086 is sitting above it. The support structure has been moved out of the gap between the magnets and the top piece of steel. The shaft may be in a slot between the top piece of steel. This reduces the gap and increases the efficiency. In one embodiment, the design of this device may be non-symmetrical and thus is not symmetrical about the axis of the drive shaft.

Referring to Figure 140, a still further embodiment of an actuator 2100 will now be described. This embodiment uses a linear voice coil actuator 2100 having a flux concentrator. Taking a linear (moving coil) voice coil, the present invention shapes the core 2110 to act as a flux concentrator to double the flux density and therefore reduce the size of the coil. The core 2110 may be shaped and the outer casting may also be shaped to assist with flux concentration. In one embodiment, the size of the central core 2110 has been reduced from about 12 x 12 mm to 10 mm x 6 mm (Figure 140). The central core 2110 may be made from a variety of materials include, but not limited to, steel.

Referring still to Figure 140, one embodiment of the invention is to double the flux density through the coil 2102. This may reduce the surface area of the central core 2110, and therefore reducing the size of the coil and the former. As seen in Figure 140, the core 2110 may have a funnel shaped configuration. Although not limited to the

following, the core 2110 may also be shaped as a cone, pyramid, or other wide to narrow shape to concentrate the flux so that the coil may be of a reduced weight.

In one embodiment where the core 2110 is sized at 10 mm at one end and 6 mm at another end, the field is almost at saturation. Hence the moving mass has been minimized and the maximum force (flux density) is achieved. In this embodiment, the clearance around the back end of the magnet 2112 is to discourage the flux path from forming anywhere other than through the coil 2102. The present embodiment may therefore flatter, reducing the width and should result in a smaller size. The aspect of this present invention is to maximizing the flux concentration through the coil by shaping the casing results in a smaller size device for the same efficiency. The shaping of the casing may also result in shaping of the central core 2110 to concentrate the flux through the coil.

As seen in the embodiment of Figure 140, the device 2100 is designed to concentrate the flux in the minimum dimension of steel, iron, or other material used for the core. The mass of the coil 2102 is minimized. Flux density is much higher due in part to the shape of the core 2110. As a nonlimiting example, the 6 mm diameter while having a 10 mm diameter at the wide end. Minimize the moving mass will provide improved acceleration. It would also make coil smaller. The present invention would increase flux density to maximize force. Through the same gap and everything else. The present invention may optimize flux in the moving area. Some embodiments of the present invention may also reduce concentration of flux at sharp corners.

In yet another embodiment of the present invention, a linear moving coil voice coil may be used as an actuator. In a linear moving coil configuration, the actuator consists of a cylindrical coil that is free to move axially in air gap. The air gap is formed between a cylindrical center pole and a permanent magnet that surrounds it. A soft iron shell houses both the magnet and the pole.

In another embodiment of the present invention, a flat voice coil may be used. In one embodiment, the flat voice coil design uses a flat coil between strong permanent magnets. The coil may be a wound coil on a plastic support frame or a multi-layer PC board design. The electronics should be simpler; the voice coil design goal is to operate the coil directly from the battery. In one embodiment, no DC-DC converter would be required to boost to the high voltage (which the present solenoid actuator requires). The charge storage on the capacitors is more efficient, and it does not require a high voltage

drive. Hence there may be a lower electronics cost—since the DC-DC converter circuitry may be avoided in some instances. The voice coil should offer simpler microprocessor control, as it should be able to span the entire stroke of activation without switching from coil to coil as the movement progresses. Reversing the current in the coil reverses the direction of force.

5 In a still further embodiment, a rotary voice coil may be used. If one were to "flatten" the linear voice coil actuator from a round tube to a flat tube, then bend the two ends to form a planar arc; such as a sector of an annulus, one would have a rotary voice coil actuator. Its principle of operation and force generation is analogous to that of the linear counterpart. Rotary voice coils require that their motion be transferred to linear by some mechanical means resulting also in higher manufacturing cost and lower speeds due to the weight and complexity of the conversion mechanism. They are less energy efficient than circular designs but their advantage lies in the fact that only the dimensions of the magnetic path limit the throw distance.

10 In yet another embodiment, an unrolled rotary voice coil may be used. This is a multi-segmented coil and can be thought of as equivalent to the solenoid coil using a permanent magnet instead of a metal slug. The magnet can be formed. This is a size reduction play. However a large area is used to maintain the stroke and has a series of coils rather than a disk. The control problem becomes more complex but the subsections behave more linearly. In one embodiment, only one small coil is needed so the moving mass is smaller. The problem is that the device acts more as a very efficient brake since the flux lines end up being cut with both ends of the magnet. In some still further alternative embodiments, rotary or linear moving magnet voice coil may be used. A linear stepper motor with a moving magnet in a flattened configuration has been suggested.

15 In one aspect of the present invention, a linear stepper motor is described comprising a plurality of coils and a shaft slidably mounted through an opening through the plurality of coils. A magnet may be mounted about the shaft and at least one metallic core mounted about the shaft. In some embodiments, the plurality of coils may comprise of a first coil that is coupled to a third coil and a second coil that is coupled to a fourth coil. The shaft, magnet, and at least one metallic core may be slidably movable through the coils. The coils may be cylindrical in shape with an opening therethrough.

In another embodiment of the present invention, a voice coil device is provided that comprises at least one magnet located in a plane and not symmetric about a drive shaft. The device may include a movable coil mounted adjacent to the magnet and in a single plane, the coil is not symmetric about the drive shaft. A metallic shell may also be
5 coupled to the magnets.

In a still further embodiment, a voice coil device is provided comprising a movable coil and a metallic core shaped to increase flux through the coil, wherein the coil is movable relative to the core, the core having a smaller transverse dimension in portions that travel through the coil and a larger transverse dimension for those portions outside
10 the coil. An outer casing may be shaped to direct flux through the core passing through the coil. The shaft may be slidably mounted in the core. In some embodiments, an outer casing may be shaped to direct flux through the core passing through the coil.

As discussed above, tissue penetration devices which employ spring or cam driving methods have a symmetrical or nearly symmetrical actuation displacement and
15 velocity profiles on the advancement and retraction of the penetrating member as shown in Figures 141 and 142. In most of the available penetrating member devices, once the launch is initiated, the stored energy determines the velocity profile until the energy is dissipated. Controlling impact, retraction velocity, and dwell time of the penetrating member within the tissue can be useful in order to achieve a high success rate while
20 accommodating variations in skin properties and minimize pain. Advantages can be achieved by taking into account that tissue dwell time is related to the amount of skin deformation as the penetrating member tries to puncture the surface of the skin and variance in skin deformation from patient to patient based on skin hydration.

The ability to control velocity and depth of penetration can be achieved by use of
25 a controllable force driver where feedback is an integral part of driver control. Such drivers can control either metal or polymeric penetrating members or any other type of tissue penetration element. The dynamic control of such a driver is illustrated in Figure 143 which illustrates an embodiment of a controlled displacement profile and Figure 144 which illustrates an embodiment of a the controlled velocity profile. These are compared
30 to Figures 141 and 142, which illustrate embodiments of displacement and velocity profiles, respectively, of a harmonic spring/mass powered driver.

Reduced pain can be achieved by using impact velocities of greater than 2 m/s entry of a tissue penetrating element, such as a penetrating member, into tissue.

Retraction of the penetrating member at a low velocity following the sectioning of the venule/capillary mesh allows the blood to flood the wound tract and flow freely to the surface, thus using the penetrating member to keep the channel open during retraction. Low-velocity retraction of the penetrating member near the wound flap prevents the wound flap from sealing off the channel. Thus, the ability to slow the penetrating member retraction directly contributes to increasing the success rate of obtaining blood. Increasing the sampling success rate to near 100% can be important to the combination of sampling and acquisition into an integrated sampling module such as an integrated glucose-sampling module, which incorporates a glucose test strip.

Figure 145 shows an embodiment of the characteristic phases of penetrating member advancement and retraction on a graph of force versus time illustrating the force exerted by the penetrating member driver on the penetrating member to achieve the desired displacement and velocity profile. The characteristic phases are the penetrating member introduction phase A-C where the penetrating member is longitudinally advanced into the skin, the penetrating member rest phase D where the penetrating member terminates its longitudinal movement reaching its maximum depth and becoming relatively stationary, and the penetrating member retraction phase E-G where the penetrating member is longitudinally retracted out of the skin. The duration of the penetrating member retraction phase E-G is longer than the duration of the penetrating member introduction phase A-C, which in turn is longer than the duration of the penetrating member rest phase D.

The introduction phase further comprises a penetrating member launch phase prior to A when the penetrating member is longitudinally moving through air toward the skin, a tissue contact phase at the beginning of A when the distal end of the penetrating member makes initial contact with the skin, a tissue deformation phase A when the skin bends depending on its elastic properties which are related to hydration and thickness, a tissue lancing phase which comprises when the penetrating member hits the inflection point on the skin and begins to cut the skin B and the penetrating member continues cutting the skin C. The penetrating member rest phase D is the limit of the penetration of the penetrating member into the skin. Pain is reduced by minimizing the duration of the

penetrating member introduction phase A-C so that there is a fast incision to a certain penetration depth regardless of the duration of the deformation phase A and inflection point cutting B which will vary from user to user. Success rate is increased by measuring the exact depth of penetration from inflection point B to the limit of penetration in the penetrating member rest phase D. This measurement allows the penetrating member to always, or at least reliably, hit the capillary beds which are a known distance underneath the surface of the skin.

The penetrating member retraction phase further comprises a primary retraction phase E when the skin pushes the penetrating member out of the wound tract, a secondary retraction phase F when the penetrating member starts to become dislodged and pulls in the opposite direction of the skin, and penetrating member exit phase G when the penetrating member becomes free of the skin. Primary retraction is the result of exerting a decreasing force to pull the penetrating member out of the skin as the penetrating member pulls away from the finger. Secondary retraction is the result of exerting a force in the opposite direction to dislodge the penetrating member. Control is necessary to keep the wound tract open as blood flows up the wound tract. Blood volume is increased by using a uniform velocity to retract the penetrating member during the penetrating member retraction phase E-G regardless of the force required for the primary retraction phase E or secondary retraction phase F, either of which may vary from user to user depending on the properties of the user's skin.

Figure 146 shows another embodiment of displacement versus time profile of a penetrating member for a controlled penetrating member retraction. Figure 147 shows the velocity vs. time profile of the penetrating member for the controlled retraction of Figure 146. The penetrating member driver controls penetrating member displacement and velocity at several steps in the lancing cycle, including when the penetrating member cuts the blood vessels to allow blood to pool 2130, and as the penetrating member retracts, regulating the retraction rate to allow the blood to flood the wound tract while keeping the wound flap from sealing the channel 2132 to permit blood to exit the wound.

The tenting process and retrograde motion of the penetrating member during the lancing cycle is illustrated graphically in Figure 148 which shows both a velocity versus time graph and a position versus time graph of a penetrating member tip during a lancing cycle that includes elastic and inelastic tenting. In Figure 148, from point 0 to point A,

the penetrating member is being accelerated from the initialization position or zero position. From point A to point B, the penetrating member is in ballistic or coasting mode, with no additional power being delivered. At point B, the penetrating member tip contacts the tissue and begins to tent the skin until it reaches a displacement C. As the penetrating member tip approaches maximum displacement, braking force is applied to the penetrating member until the penetrating member comes to a stop at point D. The penetrating member then recoils in a retrograde direction during the settling phase of the lancing cycle indicated between D and E. Note that the magnitude of inelastic tenting indicated in Figure 148 is exaggerated for purposes of illustration.

10 The amount of inelastic tenting indicated by Z tends to be fairly consistent and small compared to the magnitude of the elastic tenting. Generally, the amount of inelastic tenting Z can be about 120 to about 140 microns. As the magnitude of the inelastic tenting has a fairly constant value and is small compared to the magnitude of the elastic tenting for most patients and skin types, the value for the total amount of tenting for the penetration stroke of the penetrating member is effectively equal to the rearward displacement of the penetrating member during the settling phase as measured by the processor 193 plus a predetermined value for the inelastic recoil, such as 130 microns. Inelastic recoil for some embodiments can be about 100 to about 200 microns. The ability to measure the magnitude of skin tenting for a patient is important to controlling the depth of penetration of the penetrating member tip as the skin is generally known to vary in elasticity and other parameters due to age, time of day, level of hydration, gender and pathological state.

25 This value for total tenting for the lancing cycle can then be used to determine the various characteristics of the patient's skin. Once a body of tenting data is obtained for a given patient, this data can be analyzed in order to predict the total penetrating member displacement, from the point of skin contact, necessary for a successful lancing procedure. This enables the tissue penetration device to achieve a high success rate and minimize pain for the user. A rolling average table can be used to collect and store the tenting data for a patient with a pointer to the last entry in the table. When a new entry is input, it can replace the entry at the pointer and the pointer advances to the next value. 30 When an average is desired, all the values are added and the sum divided by the total

number of entries by the processor 193. Similar techniques involving exponential decay (multiply by .95, add 0.05 times current value, etc.) are also possible.

With regard to tenting of skin generally, some typical values relating to penetration depth are now discussed. Figure 149 shows a cross sectional view of the layers of the skin. In order to reliably obtain a useable sample of blood from the skin, it is desirable to have the penetrating member tip reach the venuolar plexus of the skin. The stratum corneum is typically about 0.1 to about 0.6 mm thick and the distance from the top of the dermis to the venuole plexus can be from about 0.3 to about 1.4 mm. Elastic tenting can have a magnitude of up to about 2 mm or so, specifically, about 0.2 to about 2.0 mm, with an average magnitude of about 1 mm. This means that the amount of penetrating member displacement necessary to overcome the tenting can have a magnitude greater than the thickness of skin necessary to penetrate in order to reach the venuolar plexus. The total penetrating member displacement from point of initial skin contact may have an average value of about 1.7 to about 2.1 mm. In some embodiments, penetration depth and maximum penetration depth may be about 0.5 mm to about 5 mm, specifically, about 1 mm to about 3 mm. In some embodiments, a maximum penetration depth of about 0.5 to about 3 mm is useful.

In some embodiments, the penetrating member is withdrawn with less force and a lower speed than the force and speed during the penetration portion of the operation cycle. Withdrawal speed of the penetrating member in some embodiments can be about 0.004 to about 0.5 m/s, specifically, about 0.006 to about 0.01 m/s. In other embodiments, useful withdrawal velocities can be about 0.001 to about 0.02 meters per second, specifically, about 0.001 to about 0.01 meters per second. For embodiments that use a relatively slow withdrawal velocity compared to the penetration velocity, the withdrawal velocity may up to about 0.02 meters per second. For such embodiments, a ratio of the average penetration velocity relative to the average withdrawal velocity can be about 100 to about 1000. In embodiments where a relatively slow withdrawal velocity is not important, a withdrawal velocity of about 2 to about 10 meters per second may be used.

Another example of an embodiment of a velocity profile for a penetrating member can be seen in Figures 150 and 151, which illustrates a penetrating member profile with a fast entry velocity and a slow withdrawal velocity. Figure 150 illustrates an embodiment

of a lancing profile showing velocity of the penetrating member versus position. The lancing profile starts at zero time and position and shows acceleration of the penetrating member towards the tissue from the electromagnetic force generated from the electromagnetic driver. At point A, the power is shut off and the penetrating member
5 begins to coast until it reaches the skin indicated by B at which point, the velocity begins to decrease. At point C, the penetrating member has reached maximum displacement and settles momentarily, typically for a time of about 8 milliseconds.

A retrograde withdrawal force is then imposed on the penetrating member by the controllable driver, which is controlled by the processor to maintain a withdrawal velocity
10 of no more than about 0.006 to about 0.01 meters/second. The same cycle is illustrated in the velocity versus time plot of Figure 151 where the penetrating member is accelerated from the start point to point A. The penetrating member coasts from A to B where the penetrating member tip contacts tissue 233. The penetrating member tip then penetrates
15 the tissue and slows with braking force eventually applied as the maximum penetration depth is approached. The penetrating member is stopped and settling between C and D. At D, the withdrawal phase begins and the penetrating member is slowly withdrawn until it returns to the initialization point shown by E in Figure 151. Note that retrograde recoil from elastic and inelastic tenting was not shown in the lancing profiles of Figures 150 and
20 151 for purpose of illustration and clarity.

In another embodiment, the withdrawal phase may use a dual speed profile, with
20 the slow .006 to .01 meter per second speed used until the penetrating member is withdrawn past the contact point with the tissue, then a faster speed of .01 to 1 meters per second may be used to shorten the complete cycle.

While the invention has been described and illustrated with reference to certain
25 particular embodiments thereof, those skilled in the art will appreciate that various adaptations, changes, modifications, substitutions, deletions, or additions of procedures and protocols may be made without departing from the spirit and scope of the invention. For example, with any of the above embodiments, the location of the penetrating member drive device may be varied, relative to the penetrating members or the cartridge. With
30 any of the above embodiments, the penetrating member tips may be uncovered during actuation (i.e. penetrating members do not pierce the penetrating member enclosure or protective foil during launch). With any of the above embodiments, the penetrating

members may be a bare penetrating member during launch. With any of the above
embodiments, the penetrating members may be bare penetrating members prior to launch
as this may allow for significantly tighter densities of penetrating members. In some
embodiments, the penetrating members may be bent, curved, textured, shaped, or
5 otherwise treated at a proximal end or area to facilitate handling by an actuator. The
penetrating member may be configured to have a notch or groove to facilitate coupling to
a gripper. The notch or groove may be formed along an elongate portion of the
penetrating member. With any of the above embodiments, the cavity may be on the
bottom or the top of the cartridge, with the gripper on the other side. In some
10 embodiments, analyte detecting members may be printed on the top, bottom, or side of
the cavities. The front end of the cartridge maybe in contact with a user during lancing.
The same driver may be used for advancing and retraction of the penetrating member.
The penetrating member may have a diameters and length suitable for obtaining the blood
volumes described herein. The penetrating member driver may also be in substantially
15 the same plane as the cartridge. The driver may use a through hole or other opening to
engage a proximal end of a penetrating member to actuate the penetrating member along
a path into and out of the tissue.

Any of the features described in this application or any reference disclosed herein
may be adapted for use with any embodiment of the present invention. For example, the
20 devices of the present invention may also be combined for use with injection penetrating
members or needles as described in commonly assigned, copending U.S. Patent
Application Ser. No. 10/127,395 (Attorney Docket No. 38187-2551) filed April 19, 2002.
An analyte detecting member to detect the presence of foil may also be included in the
lancing apparatus. For example, if a cavity has been used before, the foil or sterility
25 barrier will be punched. The analyte detecting member can detect if the cavity is fresh or
not based on the status of the barrier. It should be understood that in optional
embodiments, the sterility barrier may be designed to pierce a sterility barrier of
thickness that does not dull a tip of the penetrating member. The lancing apparatus may
also use improved drive mechanisms. For example, a solenoid force generator may be
30 improved to try to increase the amount of force the solenoid can generate for a given
current. A solenoid for use with the present invention may have five coils and in the
present embodiment the slug is roughly the size of two coils. One change is to increase

the thickness of the outer metal shell or windings surround the coils. By increasing the thickness, the flux will also be increased. The slug may be split; two smaller slugs may also be used and offset by $\frac{1}{2}$ of a coil pitch. This allows more slugs to be approaching a coil where it could be accelerated. This creates more events where a slug is approaching a coil, creating a more efficient system.

5 In another optional alternative embodiment, a gripper in the inner end of the protective cavity may hold the penetrating member during shipment and after use, eliminating the feature of using the foil, protective end, or other part to retain the used penetrating member. Some other advantages of the disclosed embodiments and features
10 of additional embodiments include: same mechanism for transferring the used penetrating members to a storage area; a high number of penetrating members such as 25, 50, 75, 100, 500, or more penetrating members may be put on a disk or cartridge; molded body about a lancet becomes unnecessary; manufacturing of multiple penetrating member devices is simplified through the use of cartridges; handling is possible of bare rods metal
15 wires, without any additional structural features, to actuate them into tissue; maintaining extreme (better than 50 micron -lateral- and better than 20 micron vertical) precision in guiding; and storage system for new and used penetrating members, with individual cavities/slots is provided. The housing of the lancing device may also be sized to be ergonomically pleasing. In one embodiment, the device has a width of about 56 mm, a
20 length of about 105 mm and a thickness of about 15 mm. Additionally, some embodiments of the present invention may be used with non-electrical force generators or drive mechanism. For example, the punch device and methods for releasing the penetrating members from sterile enclosures could be adapted for use with spring based launchers. The gripper using a frictional coupling may also be adapted for use with other
25 drive technologies.

Still further optional features may be included with the present invention. For example, with any of the above embodiments, the location of the penetrating member drive device may be varied, relative to the penetrating members or the cartridge. With any of the above embodiments, the penetrating member tips may be uncovered during
30 actuation (i.e. penetrating members do not pierce the penetrating member enclosure or protective foil during launch). The penetrating members may be a bare penetrating member during launch. In some embodiments, the penetrating member may be a patent

needle. The same driver may be used for advancing and retraction of the penetrating member. Different analyte detecting members detecting different ranges of glucose concentration, different analytes, or the like may be combined for use with each penetrating member. Non-potentiometric measurement techniques may also be used for analyte detection. For example, direct electron transfer of glucose oxidase molecules adsorbed onto carbon nanotube powder microelectrode may be used to measure glucose levels. In some embodiments, the analyte detecting members may be formed to flush with the cartridge so that a "well" is not formed. In some other embodiments, the analyte detecting members may be formed to be substantially flush (within 200 microns or 100 microns) with the cartridge surfaces. In all methods, nanoscopic wire growth can be carried out via chemical vapor deposition (CVD). In all of the embodiments of the invention, preferred nanoscopic wires may be nanotubes. Any method useful for depositing a glucose oxidase or other analyte detection material on a nanowire or nanotube may be used with the present invention. Additionally, for some embodiments, any of the cartridge shown above may be configured without any of the penetrating members, so that the cartridge is simply an analyte detecting device. Still further, the indexing of the cartridge may be such that adjacent cavities may not necessarily be used serially or sequentially. As a nonlimiting example, every second cavity may be used sequentially, which means that the cartridge will go through two rotations before every or substantially all of the cavities are used. As another nonlimiting example, a cavity that is 3 cavities away, 4 cavities away, or N cavities away may be the next one used. This may allow for greater separation between cavities containing penetrating members that were just used and a fresh penetrating member to be used next. It should be understood that the spring-based drivers shown in the present invention (Figures 98-112) may be adapted for use with any of the cartridges shown herein such as, but not limited to, those shown in Figures 61 and 62. These spring-based drivers may also be paired with gripper blocks that are configured to penetrate into cartridges that fully seal penetrating member therein, in order to engage those penetrating members. The start and end positions of the penetrating members may also be the same. The penetrating members may be parked in a holder before actuation, and in some embodiments, into a holder after actuation (as seen in cartridge 500 or any other cartridge herein). Embodiments of the present invention may also include guides which provide lateral constraints and/or vertical constraints about

penetrating member. These constraints may be positioned about the shaft portions of the penetrating member. For any of the embodiments herein, they may be configured to provide the various velocity profiles described.

This application cross-references commonly assigned copending U.S. Patent Applications Ser. No. 10/323,622 (Attorney Docket No. 38187-2606) filed December 18, 2002; commonly assigned copending U.S. Patent Applications Ser. No. 10/323,623 (Attorney Docket No. 38187-2607) filed December 18, 2002; and commonly assigned copending U.S. Patent Applications Ser. No. 10/323,624 (Attorney Docket No. 38187-2608) filed December 18, 2002. This application is also related to commonly assigned copending U.S. Patent Applications Ser. Nos. 10/335,142, 10/335,215, 10/335,258, 10/335,099, 10/335,219, 10/335,052, 10/335,073, 10/335,220, 10/335,252, 10/335,218, 10/335,211, 10/335,257, 10/335,217, 10/335,212, and 10/335,241, 10/335,183, (Attorney Docket Nos. 38187-2633 through 38187-2652) filed December 31, 2002. This application is also a continuation-in-part of commonly assigned, copending U.S. Patent Application Ser. No. 10/425,815 (Attorney Docket No. 38187-2663) filed May 30, 2003. This application is a continuation-in-part of commonly assigned, copending U.S. Patent Application Ser. No. 10/323,622 (Attorney Docket No. 38187-2606) filed on December 18, 2002, which is a continuation-in-part of commonly assigned, copending U.S. Patent Application Ser. No. 10/127,395 (Attorney Docket No. 38187-2551) filed April 19, 2002. This application is also a continuation-in-part of commonly assigned, copending U.S. Patent Application Ser. No. 10/237,261 (Attorney Docket No. 38187-2595) filed September 5, 2002. This application is further a continuation-in-part of commonly assigned, copending U.S. Patent Application Ser. No. 10/420,535 (Attorney Docket No. 38187-2664) filed April 21, 2003. This application is further a continuation-in-part of commonly assigned, copending U.S. Patent Application Ser. No. 10/335,142 (Attorney Docket No. 38187-2633) filed December 31, 2002. This application is further a continuation-in-part of commonly assigned, copending U.S. Patent Application Ser. No. 10/423,851 (Attorney Docket No. 38187-2657) filed April 24, 2003. This application also claims the benefit of priority from commonly assigned, copending U.S. Provisional Patent Application Ser. No. 60/422,988 (Attorney Docket No. 38187-2601) filed November 1, 2002; commonly assigned, copending U.S. Provisional Patent Application Ser. No. 60/424,429 (Attorney Docket No. 38187-2602) filed November 6, 2002; and

commonly assigned, copending U.S. Provisional Patent Application Ser. No. 60/424,429 (Attorney Docket No. 38187-2604) filed November 20, 2002. All applications listed above are incorporated herein by reference for all purposes.

5 The publications discussed or cited herein are provided solely for their disclosure prior to the filing date of the present application. Nothing herein is to be construed as an admission that the present invention is not entitled to antedate such publication by virtue of prior invention. Further, the dates of publication provided may be different from the actual publication dates which may need to be independently confirmed. All publications mentioned herein are incorporated herein by reference to disclose and describe the
10 structures and/or methods in connection with which the publications are cited.

Expected variations or differences in the results are contemplated in accordance with the objects and practices of the present invention. It is intended, therefore, that the invention be defined by the scope of the claims which follow and that such claims be interpreted as broadly as is reasonable.

15

WHAT IS CLAIMED IS:

- 1 1. A body fluid sampling system for use on a tissue site, the system
2 comprising:
3 a cartridge;
4 at least one penetrating member in said cartridge; and
5 a penetrating member driver structured to engage said penetrating member.
- 1 2. A body fluid sampling system for use on a tissue site, the system
2 comprising:
3 a cartridge;
4 a penetrating member driver;
5 a plurality of penetrating members arranged in a radial configuration on
6 the cartridge wherein sharpened distal tips of the penetrating members point radially
7 outward;
8 wherein an active one of said penetrating members may be operatively
9 coupled to said penetrating member driver, said penetrating member driver moving said
10 active one along a path out of a housing having a penetrating member exit, into said tissue
11 site, stopping in said tissue site, and withdrawing out of said tissue site; and
12 a plurality of analyte detecting members, wherein at least one of said
13 analyte detecting members is positioned to receive fluid from a wound created by said
14 active one of said penetrating members, wherein said detecting members are not pierced
15 by the active one of the penetrating members.
16
- 1 3. A system as in claim 1 wherein at least one of said detecting
2 members is mounted about a penetrating member exit.
- 1 4. A system as in claim 1 wherein said detecting member is not
2 pierced by the penetrating member and is within 2 mm of a front end of the housing.

1 5. A system as in claim 1 wherein said cartridge has a plurality of
2 penetrating member exits, and wherein at least one of said detecting members is mounted
3 about each of said penetrating member exits.

1 6. A system as in claim 1 wherein said analyte detecting members
2 comprise test strips.

1 7. A system as in claim 1 wherein said analyte detecting members are
2 housing a second cartridge.

1 8. A system as in claim 7 wherein the second cartridge is integrated
2 with the cartridge housing the penetrating members.

1 9. A system as in claim 7 wherein the second cartridge may rotate
2 relative to the penetrating member driver.

1 10. A system as in claim 1 wherein detecting members are mounted in
2 a radial configuration on said cartridge.

1 11. A system as in claim 1 wherein said penetrating member driver
2 comprises a spring based launching device.

1 12. A system as in claim 1 wherein said analyte detecting member
2 comprises a test strip individually movable relative to said housing.

1 13. A system as in claim 1 wherein said detecting member is
2 configured to determine a concentration of an analyte in the fluid using a sample of less
3 than 1 μ l of the fluid.

1 14. A system as in claim 1 further comprising a penetrating member
2 sensor positioned to monitor a penetrating member coupled to said penetrating member
3 driver, the penetrating member sensor configured to provide information relative to a
4 depth of penetration of a penetrating member through a skin surface.

1 15. The system of claim 14, wherein the depth of penetration is about
2 100 to 2500 microns.

- 1 16. The system of claim 14, wherein the depth of penetration is 500 to
2 750 microns.
- 1 17. The system of claim 14, wherein the depth of penetration is no
2 more than about 1000 microns beyond a stratum corneum thickness of a skin surface.
- 1 18. The system of claim 14, wherein the depth of penetration is no
2 more than about 500 microns beyond a stratum corneum thickness of a skin surface.
- 1 19. The system of claim 14, wherein the penetrating member sensor is
2 further configured to provide an indication of velocity of a penetrating member.
- 1 20. The system of claim 1, wherein one of said analyte detecting
2 members is movable outward towards said wound to more easily engage said fluid.
- 1 21. The system of claim 1, wherein said analyte detecting members are
2 individually actuatable to extend outward from said housing.
- 1 22. The system of claim 1, wherein the driver is selected from one of
2 the following: a voice coil, a rotary voice coil, a solenoid, a motor and gear box, a
3 nanomuscle, or a combination of any of the above.
- 1 23. The system of claim 14, wherein the penetrating member sensor is
2 coupled to a processor with control instructions for the penetrating member driver.
- 1 24. The system of claim 23, wherein the processor includes a memory
2 for storage and retrieval of a set of penetrating member profiles utilized with the
3 penetrating member driver.
- 1 25. The system of claim 23, wherein the processor is utilized to
2 monitor position and speed of a penetrating member as the penetrating member moves in
3 a first direction.
- 1 26. The system of claim 23, wherein the processor is utilized to adjust
2 an application of force to a penetrating member to achieve a desired speed of the
3 penetrating member.

1 27. The system of claim 23, wherein the processor is utilized to adjust
2 an application of force to a penetrating member when the penetrating member contacts a
3 target tissue so that the penetrating member penetrates the target tissue so that the
4 penetrating member penetrates the target tissue within a desired range of speed.

1 28. The system of claim 23, wherein the processor is utilized to
2 monitor position and speed of a penetrating member as the penetrating member moves in
3 the first direction toward a target tissue, wherein the application of a launching force to
4 the penetrating member is controlled based on position and speed of the penetrating
5 member.

1 29. The system of claim 28, wherein the processor is utilized to control
2 a withdraw force to the penetrating member so that the penetrating member moves in a
3 second direction away from the target tissue.

1 30. The system of claim 29, wherein in the first direction the
2 penetrating member moves toward the target tissue at a speed that is different than a
3 speed at which the penetrating member moves away from the target tissue.

1 31. The system of claim 29, wherein in the first direction the
2 penetrating member moves toward the target tissue at a speed that is greater than a speed
3 at which the penetrating member moves away from the target tissue.

1 32. The system of claim 28, wherein a speed of a penetrating member
2 in the first direction is the range of about 2.0 to 10.0 m/sec.

1 33. The system of claim 28, wherein a speed of a penetrating member
2 in the first direction is the range of 1.0 to 10.0 m/sec.

1 34. The system of claim 28, wherein a speed of a penetrating member
2 in the first direction is the range of 3.0 to 8.0 m/sec.

1 35. The system of claim 28, wherein a dwell time of the penetrating
2 member in the target tissue below a skin surface is in the range of 1 microsecond to 2
3 seconds.

1 36. The system of claim 1, wherein a dwell time of the penetrating
2 member in the target tissue below a skin surface is in the range of 500 milliseconds to 1.5
3 second.

1 37. The system of claim 1, wherein a dwell time of the penetrating
2 member in the target tissue below a skin surface is in the range of 100 milliseconds to 1
3 second.

1 38. The system of claim 29, wherein the average velocity of the
2 penetrating member during a tissue penetration stroke in the first direction is about 100 to
3 about 1000 times greater than the average velocity of the penetrating member during a
4 withdrawal stroke in a second direction.

1 39. The system of claim 14, wherein the penetrating member sensor is
2 selected from one of the following: a capacitive incremental encoder, an incremental
3 encoder, an optical encoder, or interference encoder.

1 40. The system of claim 1 further comprising a plurality of analyte
2 detecting members positioned to receive body fluid from said wound.

1 41. The system of claim 1, further comprising:
2 a sample chamber with an opening for transport of a body fluid into the
3 sample chamber, the sample chamber being sized to receive no more than about 1.0 μl of
4 the body fluid.

1 42. The system of claim 1, further comprising:
2 a sample chamber with an opening for transport of a body fluid into the
3 sample chamber, the sample chamber being sized to receive no more than about 0.75 μl
4 of the body fluid.

1 43. The system of claim 1, further comprising:
2 a sample chamber with an opening for transport of a body fluid into the
3 sample chamber, the sample chamber being sized to receive no more than about 0.5 μl of
4 the body fluid.

1 44. The system of claim 1, further comprising:

2 a sample chamber with an opening for transport of a body fluid into the
3 sample chamber, the sample chamber being sized to receive no more than about 0.25 μl of
4 the body fluid.

1 45. The system of claim 1, further comprising:
2 a sample chamber with an opening for transport of a body fluid into the
3 sample chamber, the sample chamber being sized to receive no more than about 0.1 μl of
4 the body fluid.

1 46. The system of claim 1, further comprising:
2 an analyte detecting member coupled to a sample chamber, the analyte
3 detecting member being configured to determine a concentration of an analyte in a body
4 fluid using a sample that does not exceed a volume of about 1 μl of a body fluid disposed
5 in the sample chamber.

1 47. The system of claim 1, further comprising:
2 an analyte detecting member coupled to a sample chamber, the analyte
3 detecting member being configured to determine a concentration of an analyte in a body
4 fluid using a sample that does not exceed a volume of about 0.75 μl of a body fluid
5 disposed in the sample chamber.

1 48. The system of claim 1, further comprising:
2 an analyte detecting member coupled to a sample chamber, the analyte
3 detecting member being configured to determine a concentration of an analyte in a body
4 fluid using a sample that does not exceed a volume of about 0.5 μl of a body fluid
5 disposed in the sample chamber.

1 49. The system of claim 1, further comprising:
2 an analyte detecting member coupled to a sample chamber, the analyte
3 detecting member being configured to determine a concentration of an analyte in a body
4 fluid using a sample that does not exceed a volume of about 0.25 μl of a body fluid
5 disposed in the sample chamber.

1 50. The system of claim 1, further comprising:
2 an analyte detecting member coupled to a sample chamber, the analyte
3 detecting member being configured to determine a concentration of an analyte in a body

4 fluid using a sample that does not exceed a volume of about 0.1 μ l of a body fluid
5 disposed in the sample chamber.

1 51. The system of claim 1, further comprising:
2 a tissue stabilizer device coupled to the housing.

1 52. The system of claim 51, wherein the tissue stabilizer device applies
2 a vacuum to a target tissue.

1 53. The system of claim 51, wherein the tissue stabilizer device is
2 configured to apply a force to a target tissue and cause the target tissue to press in an
3 inward direction relative to the housing member.

1 54. The system of claim 1, further comprising:
2 a seal formed by a fracturable material between the penetrating member
3 and the cartridge, the seal being positioned at least one of a distal port or a proximal port
4 of the cartridge.

1 55. The system of claim 51, further comprising
2 a second fracturable seal located at least one of the distal port or proximal
3 port of cartridge.

1 56. The system of claim 51, further comprising
2 at least three fracturable seal between the penetrating member and the
3 cartridge.

1 57. The system of claim 1 further comprising a vacuum source to
2 provide a low pressure environment to draw fluid from a wound created by the
3 penetrating member in the tissue.

1 58. The system of claim 1, wherein each penetrating member each
2 penetrating members is an elongate member without molded attachments.

1 59. The system of claim 1, wherein each penetrating member each
2 penetrating members comprises a needle having a lumen therein.

1 60. The system of claim 1, wherein each penetrating member each
2 penetrating members comprises a microneedle having a lumen therein.

1 61. The system of claim 1 further comprising a resilient member
2 coupled to said penetrating member, said penetrating member driver aligned to move said
3 resilient member which in turn moves the penetrating member.

1 62. The system of claim 1 wherein:
2 the penetrating member comprises a spring based device and at one of the
3 following: a motor and gear box, a nanomuscle, pneumatic device, a liquid magnetic coil
4 actuation device, a stepper motor, a micro-clutch device, and an inductive motor.

1 63. The system of claim 1 wherein the penetrating member exit is
2 configured to be positioned against the tissue when the penetrating member contacts the
3 tissue.

1 64. A body fluid sampling system for use on a tissue site, the system
2 comprising:
3 a cartridge;
4 a penetrating member driver;
5 a plurality of penetrating members, each having a proximal end, an
6 elongate portion, and a sharpened distal end, said members arranged in a radial
7 configuration on the cartridge wherein sharpened distal tips of the penetrating members
8 point radially outward;
9 wherein an active one of said penetrating members may be operatively
10 coupled to said penetrating member driver, said penetrating member driver moving said
11 active one along a path out of a housing having a penetrating member exit, into said tissue
12 site, stopping in said tissue site, and withdrawing out of said tissue site; and
13 a plurality of analyte detecting members, wherein at least one of said
14 analyte detecting members is positioned to receive fluid from a wound created by said
15 active one of said penetrating members;
16 wherein said unused analyte detecting members are arranged in a stack.
17 said penetrating member driver configured to be controlled to follow a
18 velocity trajectory into the tissue and out of said tissue, wherein said velocity into said
19 tissue is at an average speed greater than an average speed of the penetrating member on
20 the withdrawal.

1 65. A body fluid sampling system for use on a tissue site, the system
2 comprising:
3 a cartridge;
4 a penetrating member driver;
5 a plurality of penetrating members arranged in a radial configuration on
6 the cartridge wherein sharpened distal tips of the penetrating members point radially
7 outward;
8 wherein an active one of said penetrating members may be operatively
9 coupled to said penetrating member driver, said penetrating member driver moving said
10 active one along a path out of a housing having a penetrating member exit, into said tissue
11 site, stopping in said tissue site, and withdrawing out of said tissue site; and
12 a plurality of analyte detecting members, wherein at least one of said
13 analyte detecting members is positioned to receive fluid from a wound created by said
14 active one of said penetrating members, wherein said detecting members are not pierced
15 by the active one of the penetrating members;
16 a position sensor positioned to provide an indication of a position of the
17 penetrating member during actuation.

1 66. A body fluid sampling system for use on a tissue site, the system
2 comprising:
3 a cartridge;
4 a penetrating member driver;
5 a plurality of penetrating members arranged in a radial configuration on
6 the cartridge wherein sharpened distal tips of the penetrating members point radially
7 outward;
8 wherein an active one of said penetrating members may be operatively
9 coupled to said penetrating member driver, said penetrating member driver moving said
10 active one along a path out of a housing having a penetrating member exit, into said tissue
11 site, stopping in said tissue site, and withdrawing out of said tissue site; and
12 a plurality of analyte detecting members, wherein at least one of said
13 analyte detecting members is positioned to receive fluid from a wound created by said
14 active one of said penetrating members, wherein said detecting members are not pierced
15 by the active one of the penetrating members;
16 a coupler on said penetrating member driver configured to engage at least
17 a portion of said elongate portion of the penetrating member and drive said member along
18 a path into a tissue site and withdrawn from a tissue site. 67. A body fluid sampling
19 system for use on a tissue site, the system comprising:
20 a cartridge;
21 a penetrating member driver;
22 a plurality of penetrating members arranged in a radial configuration on
23 the cartridge wherein sharpened distal tips of the penetrating members point radially
24 outward;
25 wherein an active one of said penetrating members may be operatively
26 coupled to said penetrating member driver, said penetrating member driver moving said
27 active one along a path out of a housing having a penetrating member exit, into said tissue
28 site, stopping in said tissue site, and withdrawing out of said tissue site; and
29 a plurality of analyte detecting members, wherein at least one of said
30 analyte detecting members is positioned to receive fluid from a wound created by said
31 active one of said penetrating members, wherein said detecting members are not pierced
32 by the active one of the penetrating members;

33 a sterility enclosure covering at least a tip of said penetrating member, said
34 sterility enclosure removed from said penetrating member prior to actuation of the
35 member and positioned so that the penetrating member will not contact said enclosure
36 during actuation. 68. A body fluid sampling system for use on a tissue site, the system
37 comprising:

38 a cartridge;

39 a penetrating member driver;

40 a plurality of penetrating members arranged in a radial configuration on
41 the cartridge wherein sharpened distal tips of the penetrating members point radially
42 outward;

43 wherein an active one of said penetrating members may be operatively
44 coupled to said penetrating member driver, said penetrating member driver moving said
45 active one along a path out of a housing having a penetrating member exit, into said tissue
46 site, stopping in said tissue site, and withdrawing out of said tissue site; and

47 a plurality of analyte detecting members, wherein at least one of said
48 analyte detecting members is positioned to receive fluid from a wound created by said
49 active one of said penetrating members, wherein said detecting members are not pierced
50 by the active one of the penetrating members;

51 a user interface for transmitting at least one input between a user.

1 69. A body fluid sampling device using a penetrating member to
2 extract fluid from an anatomical feature, said device comprising:

3 a penetrating member actuator for moving the penetrating member
4 inbound towards the anatomical feature; and

5 a non-spring based, penetrating member retractor for moving said
6 penetrating member outbound away from the anatomical feature;

7 wherein said penetrating member actuator is adapted to move said
8 penetrating member at a velocity greater than a velocity achieved by the penetrating
9 member retractor.

1 70. The device of claim 69 wherein the penetrating member actuator
2 uses a spring to move said penetrating member.

1 71. The device of claim 69 wherein the penetrating member retractor
2 uses one of the following to move said penetrating member: a motor and gear box, a

3 nanomuscle, pneumatic device, a liquid magnetic coil actuation, a stepper motor, a micro-
4 clutch device, and an inductive motor.

1 72. The device of claim 69 further comprising a plurality of penetrating
2 members arranged in a radial configuration.

1 73. The device of claim 69 further comprising a plurality of penetrating
2 members arranged in a radial configuration on a disc, with distal tips of said penetrating
3 members pointed radially outward.

1 74. The device of claim 69 wherein said penetrating member actuator
2 include a gripper block shaped to extend into a cartridge containing said penetrating
3 member in order to engage said penetrating member.

1 75. The device of claim 69 wherein said penetrating member actuator
2 includes a portion for breaking a seal on a cartridge containing said penetrating members,
3 said portion breaking said seal to allow the actuator to engage the penetrating member.

1 76. The device of claim 69 further comprising at least one guide
2 bearing in said cartridge for providing support in at least one of the following: lateral
3 guidance or vertical guidance.

1 77. The device of claim 69 further comprising a slidable cutter for
2 removing a seal on a cartridge prior to penetrating member actuation.

1 78. The device of claim 69 further comprising a damper coupled to a
2 coupler attaching the penetrating member to a penetrating member actuator.

1 79. The device of claim 69 further comprising a damper for slowing
2 said penetrating member prior to said penetrating member reaching a hard stop.

1 80. The device of claim 69 further comprising a damper coupled to a
2 drive shaft of the penetrating member actuator.

1 81. The device of claim 69 further comprising a damper for slowing
2 the penetrating member on the inbound direction, said damper selected from one of the
3 following: a pneumatic damper, a fluid piston, a rubber stop, a frictional surface, a
4 magnetic fluid based damper, or a rheonetic fluid based damper.

- 1 82. The device of claim 69 further comprising an optically reflective
2 member coupled to a drive shaft of the penetrating member actuator, said optically
3 reflective member used for determining the positioning.
- 1 83. The device of claim 69 further comprising a penetrating member
2 coupler attached to the actuator and the retractor.
- 1 84. The device of claim 69 further comprising a cartridge containing a
2 plurality of penetrating members.
- 1 85. The device of claim 69 further comprising a cartridge containing a
2 plurality of penetrating members.
- 1 86. The device of claim 69 further comprising a drive shaft coupled to
2 the penetrating member actuator and a penetrating member coupler.
- 1 87. The device of claim 69 further comprising a carrier coupled to said
2 retractor and movable between a first position and a second position, said penetrating
3 member actuator mounted on the carrier and movable with the carrier.
- 1 88. The device of claim 69 further comprising a friction damper having
2 a plunger, said damper having a lumen with a funnel shaped portion and an elongate
3 portion, said plunger sized to engage said elongate portion to provide damping.
- 1 89. The device of claim 69 further comprising a friction damper on
2 said carrier for slowing said penetrating member, said friction damper shaped to provide
3 variable resistance based on the position of a penetrating member coupler.
- 1 90. The device of claim 69 further comprising a reset latch coupled to
2 said carrier, said reset latch holding a penetrating member coupler in place while the drive
3 is compressed.
- 1 91. A body fluid sampling device for extracting bodily fluid from an
2 anatomical feature, said device comprising:
3 a cartridge having a plurality of cavities;

4 a plurality of penetrating members, each slidably movable between a first
5 position and a second position to extend outward from said cartridge to penetrate the
6 anatomical feature; and

7 a penetrating member driver structured to selectively and independently
8 engage said penetrating members, said driver comprising a first resilient member for
9 moving an active one of the penetrating members on an inbound path toward the
10 anatomical feature to create a wound, and a second resilient member for moving the
11 active one of the penetrating members on an outbound path away from the wound.

1 92. The device of claim 91 wherein said cartridge is disc shaped.

1 93. The device of claim 91 wherein the first resilient member
2 comprises a spring.

1 94. The device of claim 91 wherein the second resilient member
2 comprises a spring.

1 95. The device of claim 91 further comprising a damper coupled to
2 said penetrating member driver.

1 96. The device of claim 91 further comprising a plurality of sample
2 chambers on said cartridge.

1 97. The device of claim 95 wherein said sample chamber is sized to
2 hold no more than 1 microliter.

1 98. A body fluid sampling device using a penetrating member to
2 extract fluid from an anatomical feature, said device comprising:

3 a penetrating member driver, said driver selected from one of the
4 following: a motor and gear box, a nanomuscle, pneumatic device, a liquid magnetic coil
5 actuation device, a stepper motor, a micro-clutch device, and an inductive motor;

6 a penetrating coupler attached to said driver, said coupler for releasably
7 connecting the penetrating member to the driver.

1

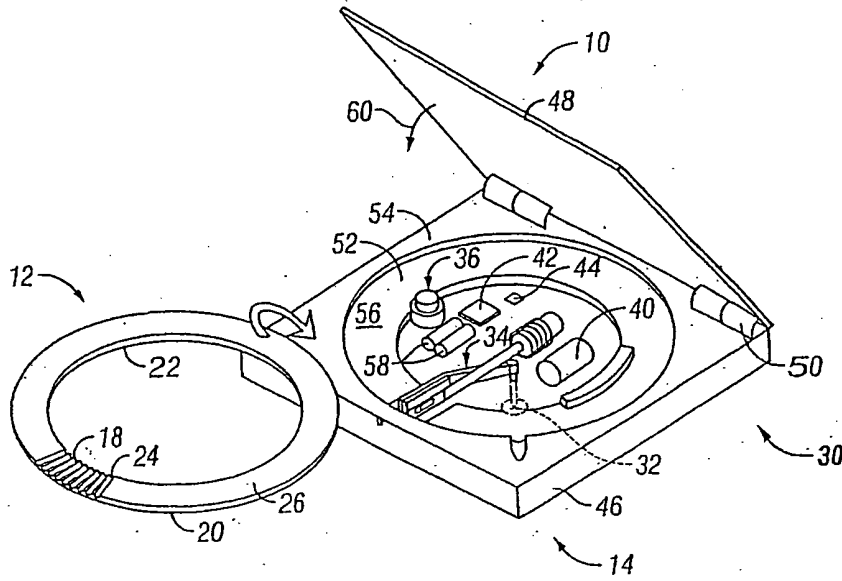


FIG. 1

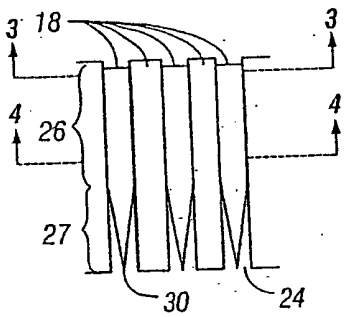


FIG. 2

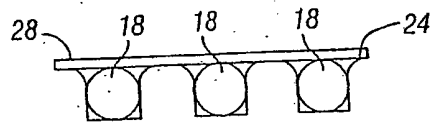


FIG. 3

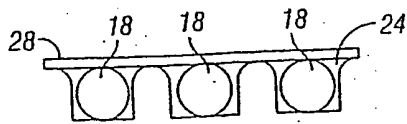


FIG. 4

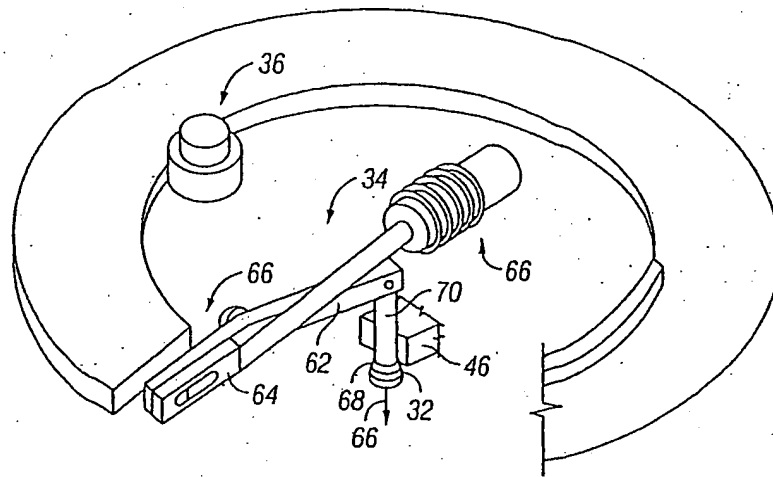


FIG. 5

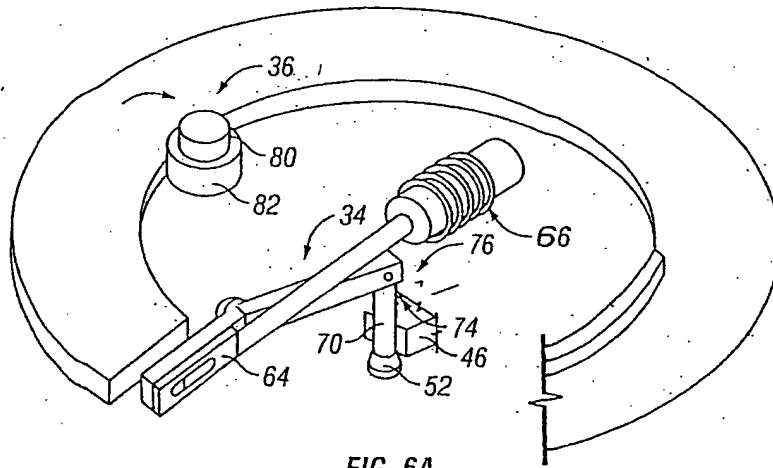


FIG. 6A

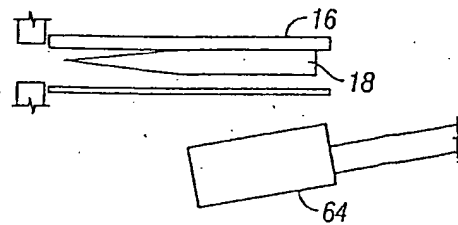


FIG. 6B

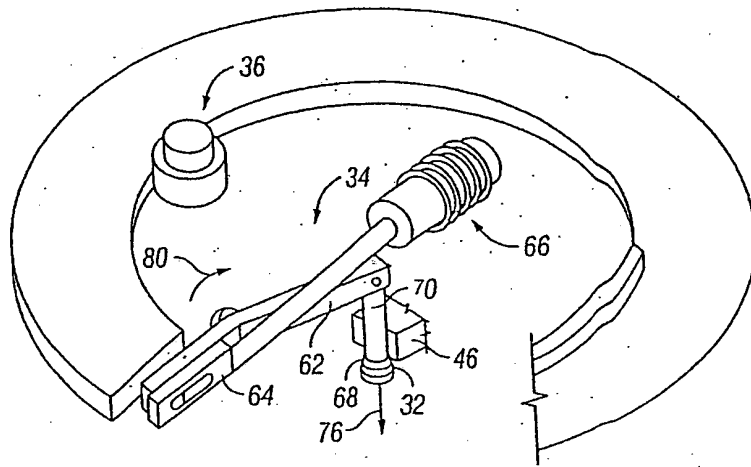


FIG. 7A

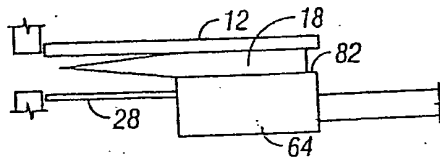


FIG. 7B

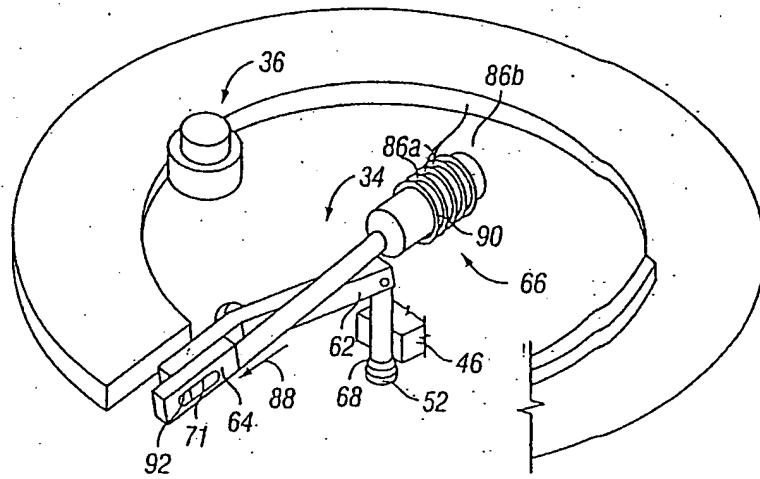


FIG. 8A

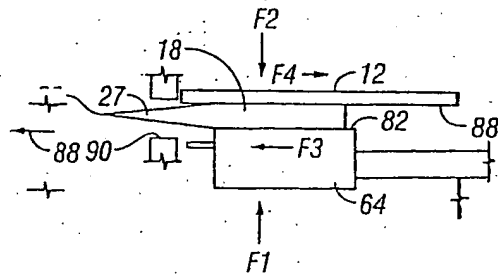


FIG. 8B

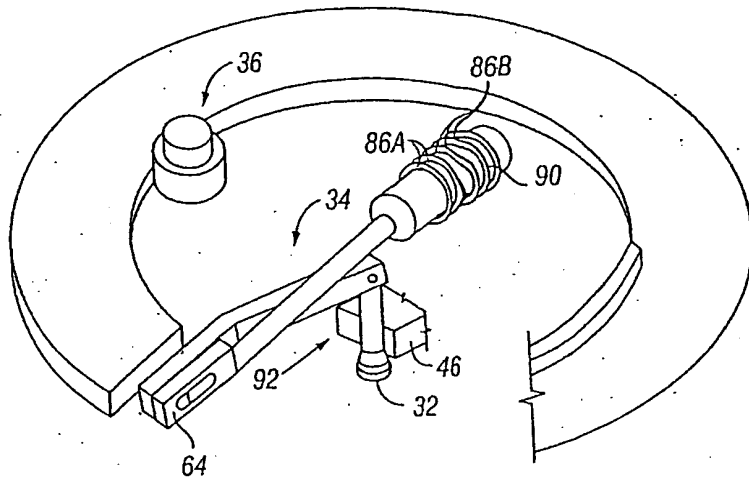


FIG. 9A

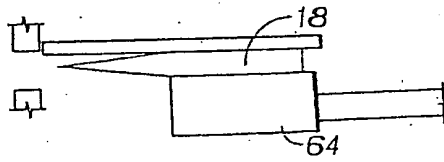


FIG. 9B

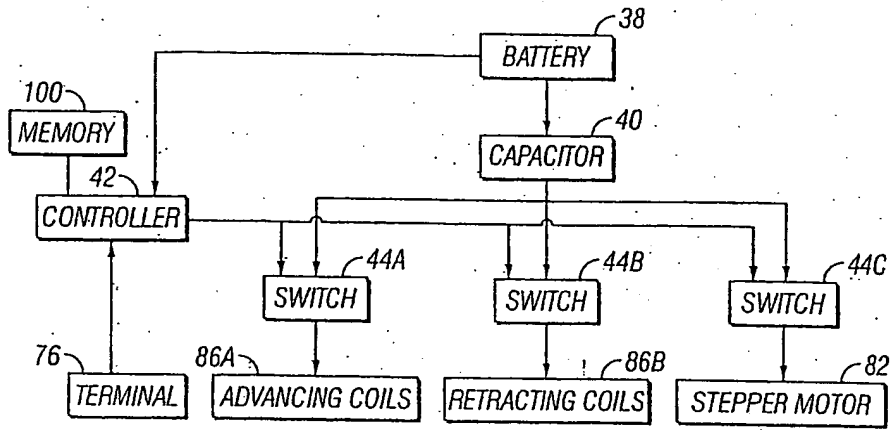


FIG. 10

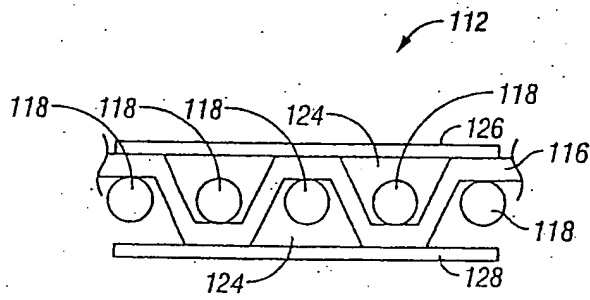


FIG. 11

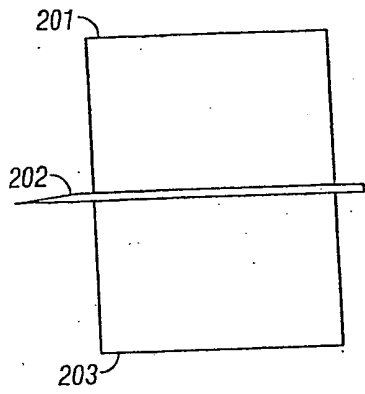


FIG. 12

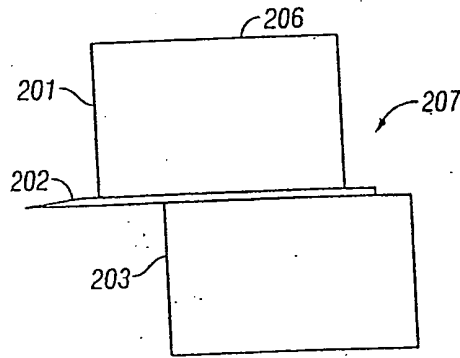


FIG. 13

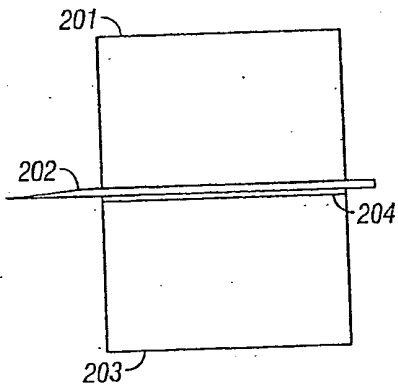


FIG. 14

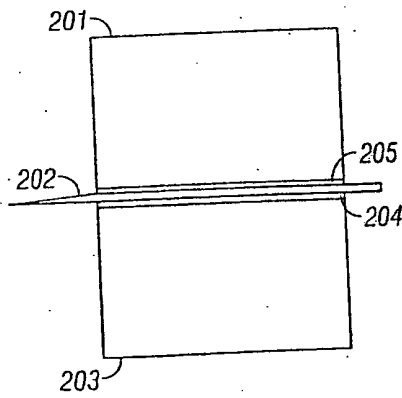


FIG. 15

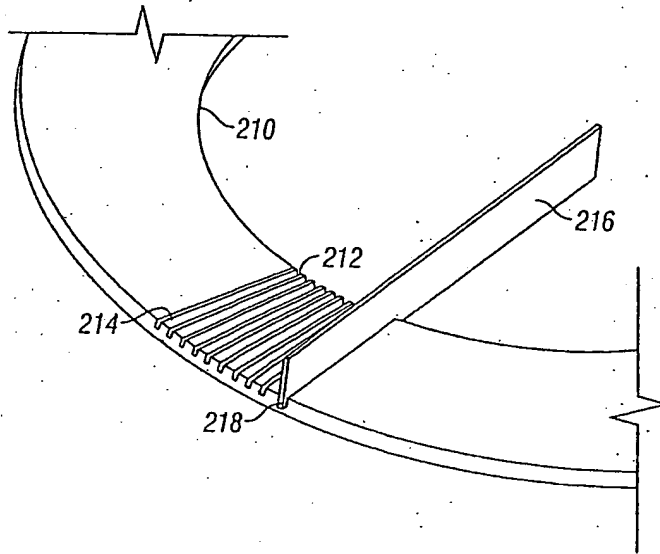


FIG. 16

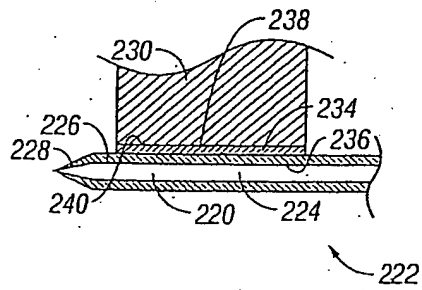


FIG. 17

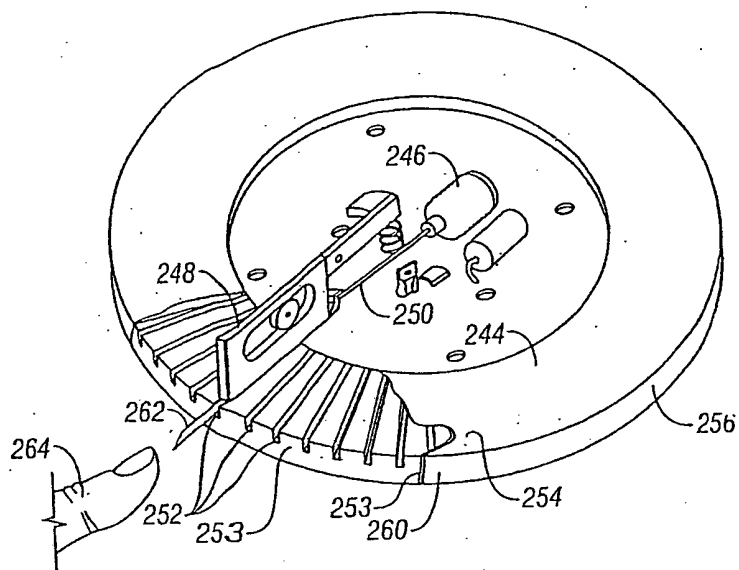


FIG. 18

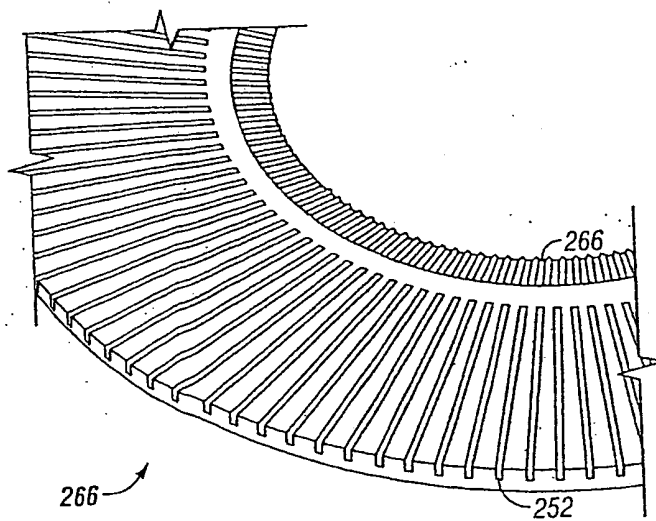


FIG. 19

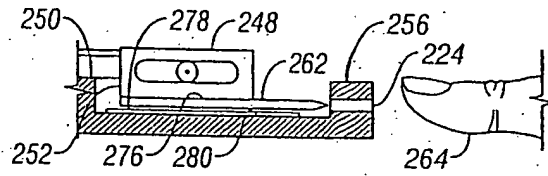


FIG. 20

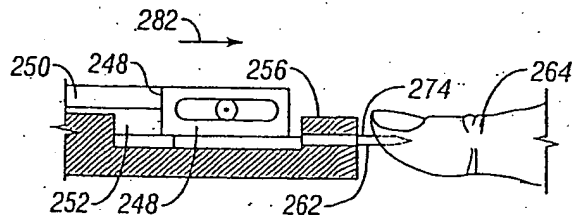


FIG. 21

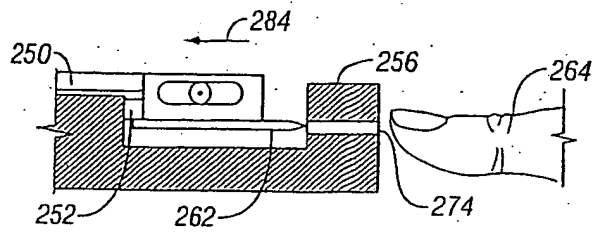


FIG. 22

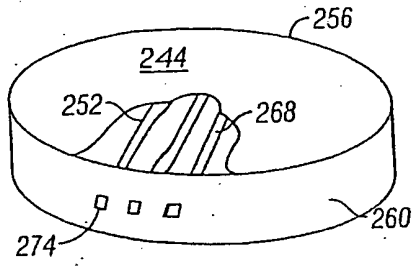


FIG. 23

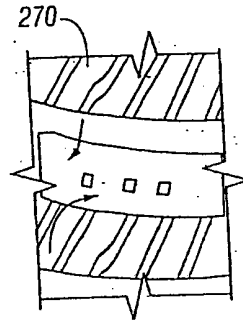


FIG. 24

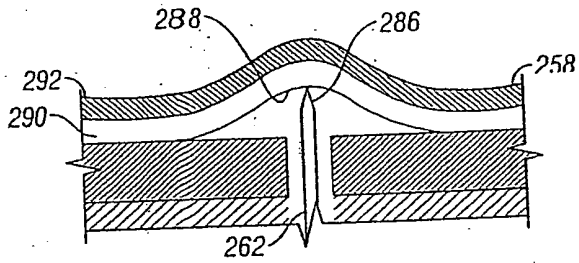


FIG. 25

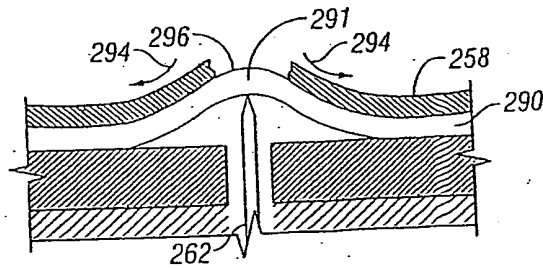


FIG. 26

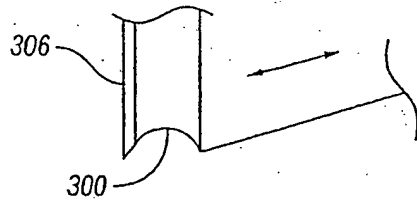


FIG. 27

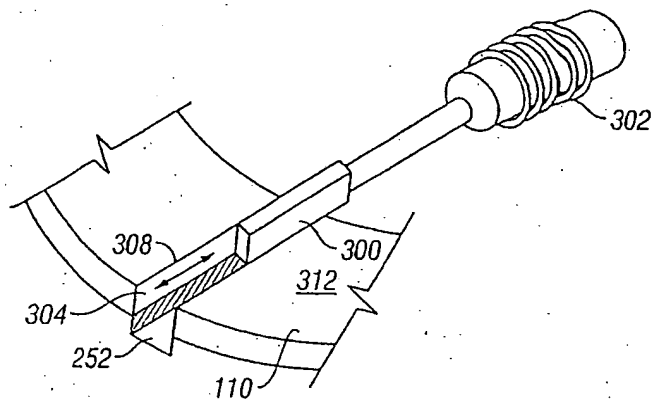


FIG. 28

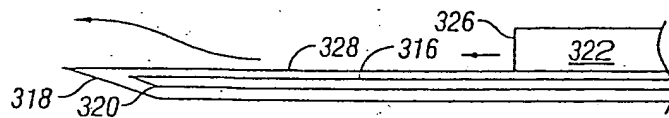


FIG. 29

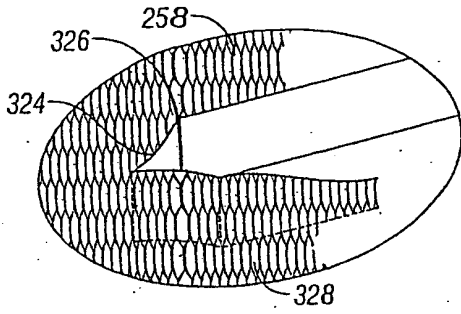


FIG. 30

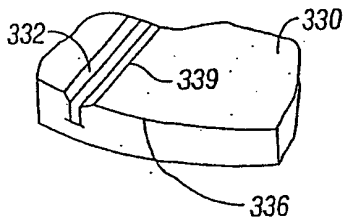


FIG. 31

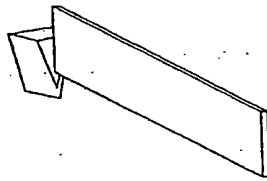


FIG. 32

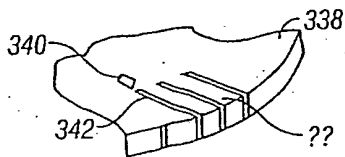


FIG. 33

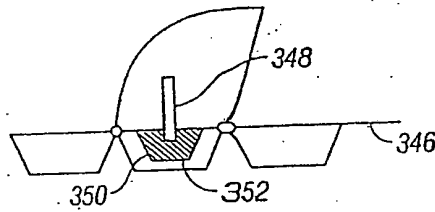


FIG. 34

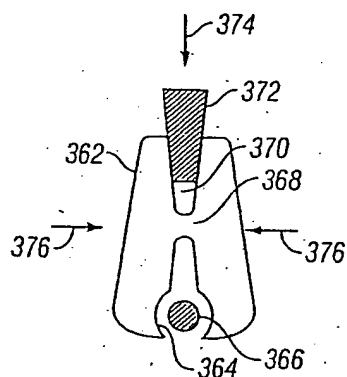


FIG. 35

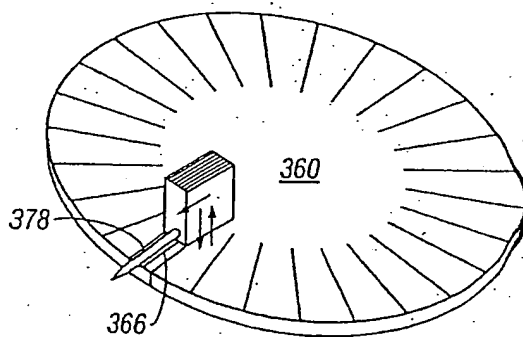


FIG. 36

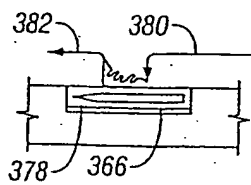


FIG. 37

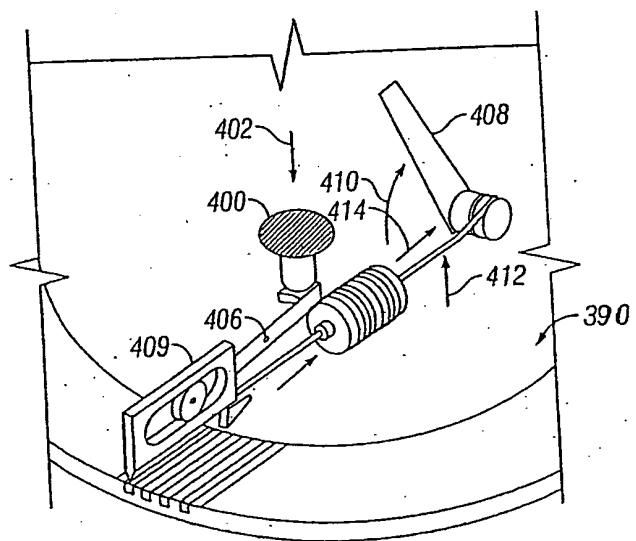


FIG. 38

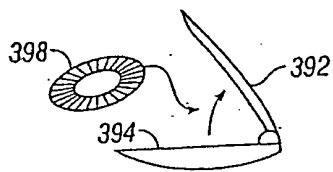


FIG. 39

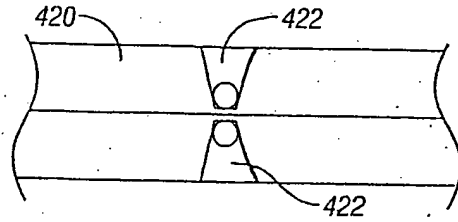


FIG. 40

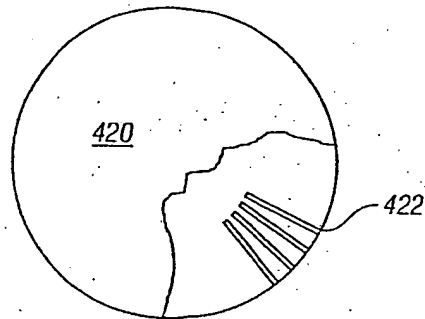


FIG. 41

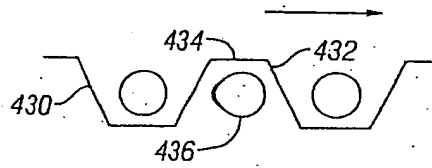


FIG. 42

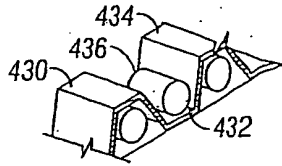


FIG. 43

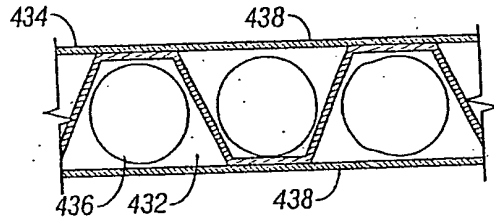


FIG. 44

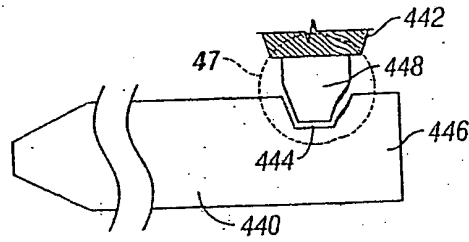


FIG. 45

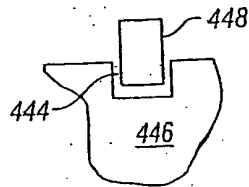


FIG. 46

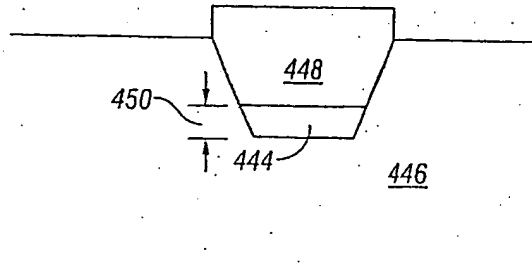


FIG. 47

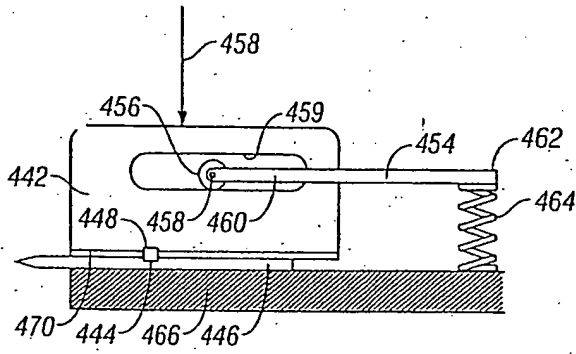


FIG. 48

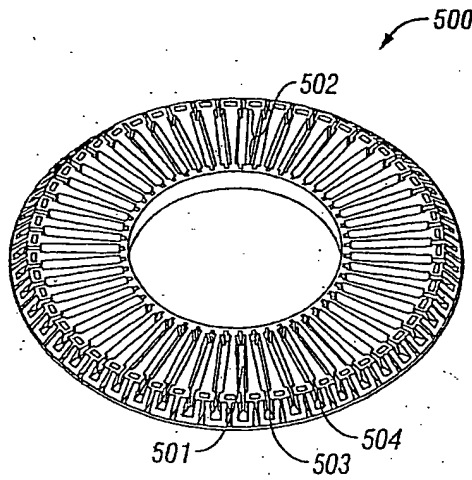


FIG. 49

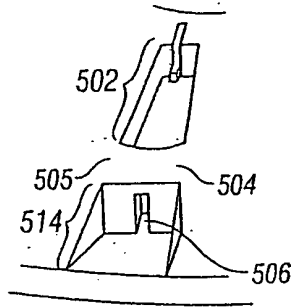


FIG. 50

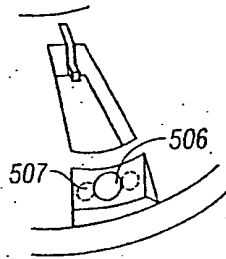


FIG. 51

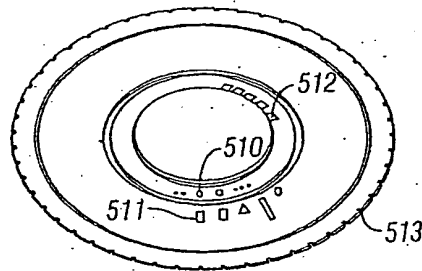


FIG. 52

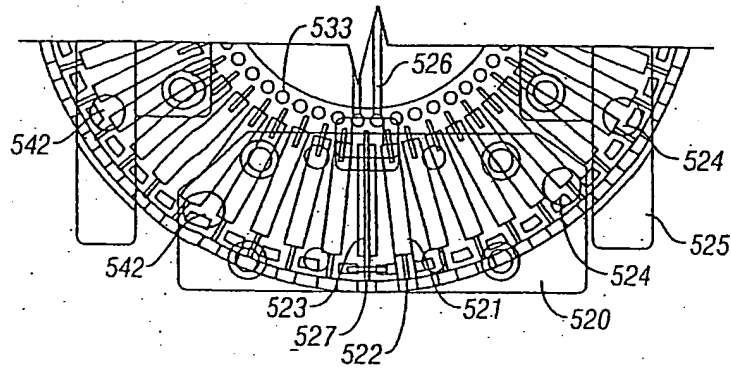


FIG. 53A

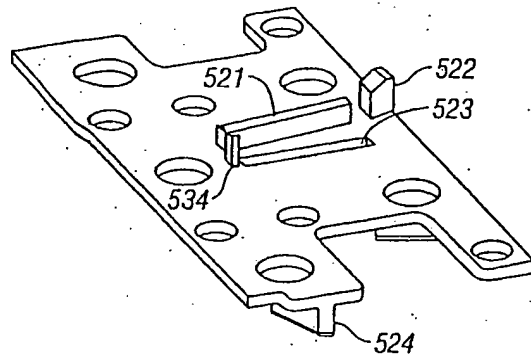


FIG. 53B

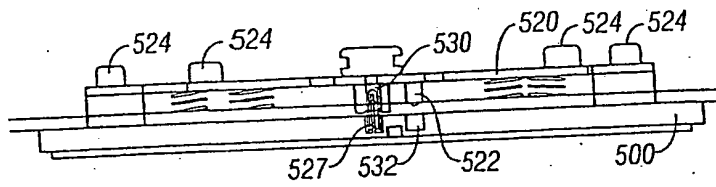


FIG. 54A

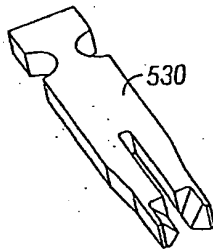


FIG. 54B

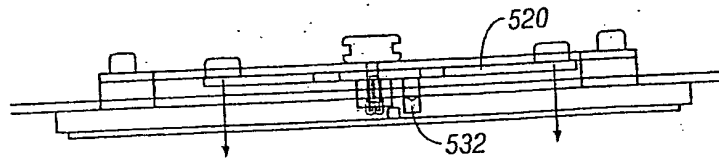


FIG. 54C

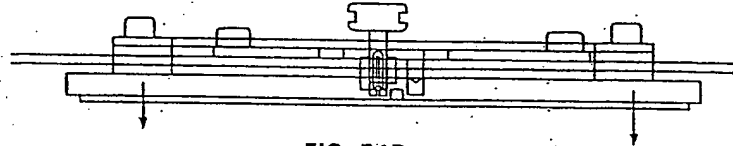


FIG. 54D

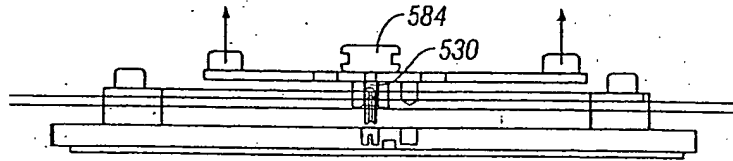


FIG. 54E

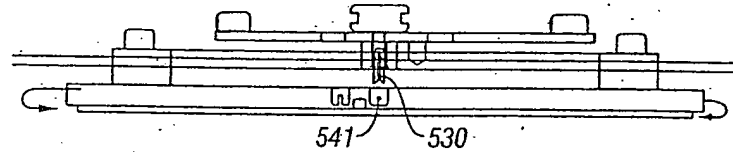


FIG. 54F

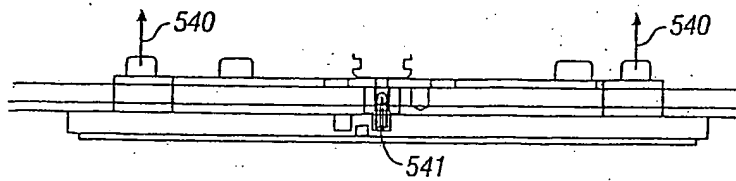


FIG. 54G

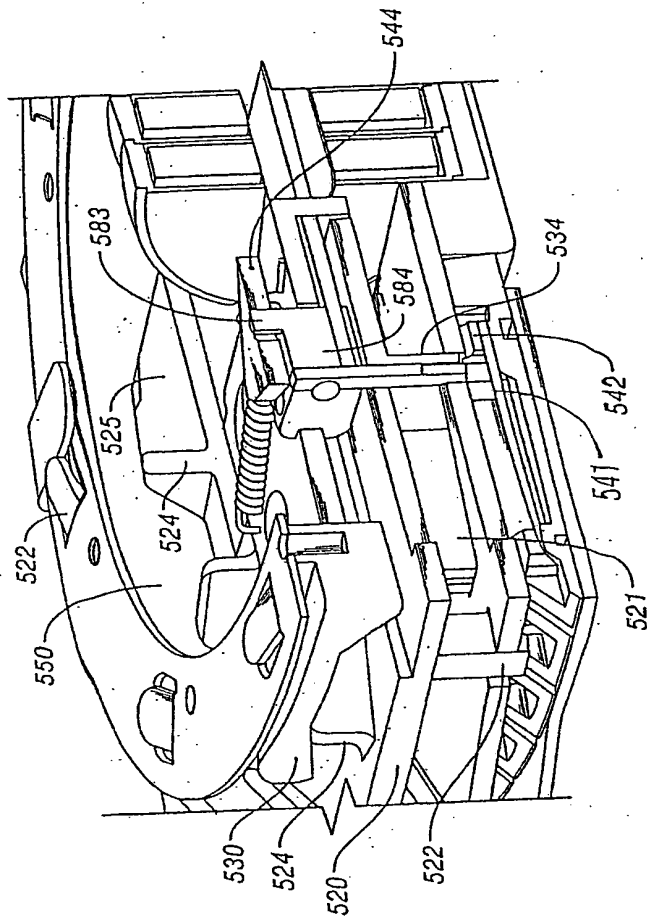


FIG. 55A

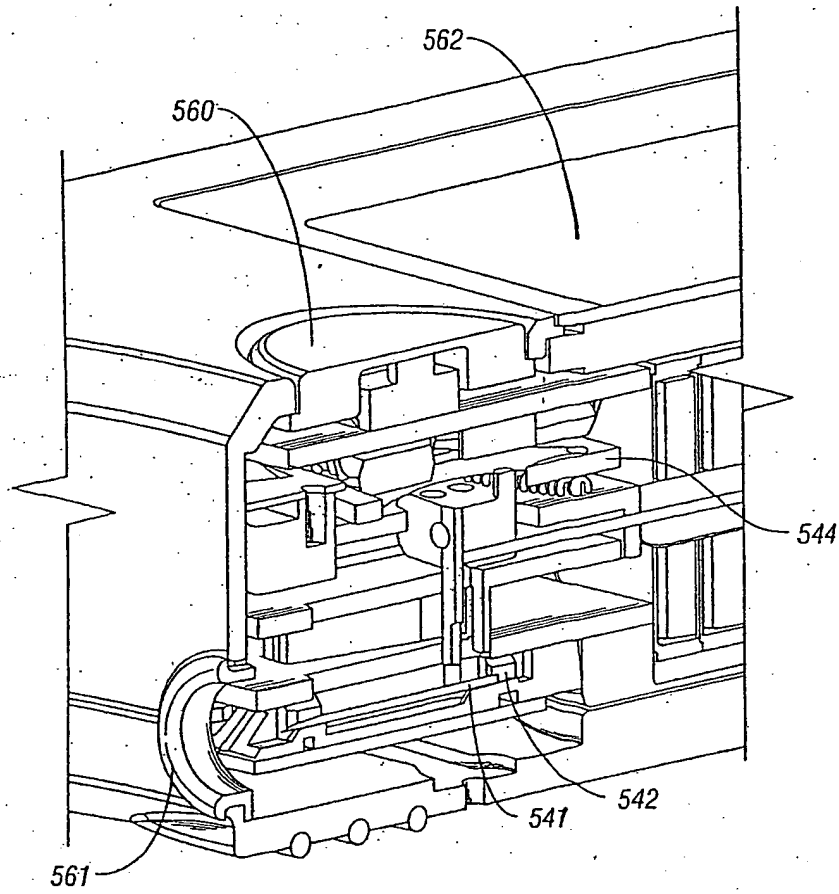


FIG. 55B

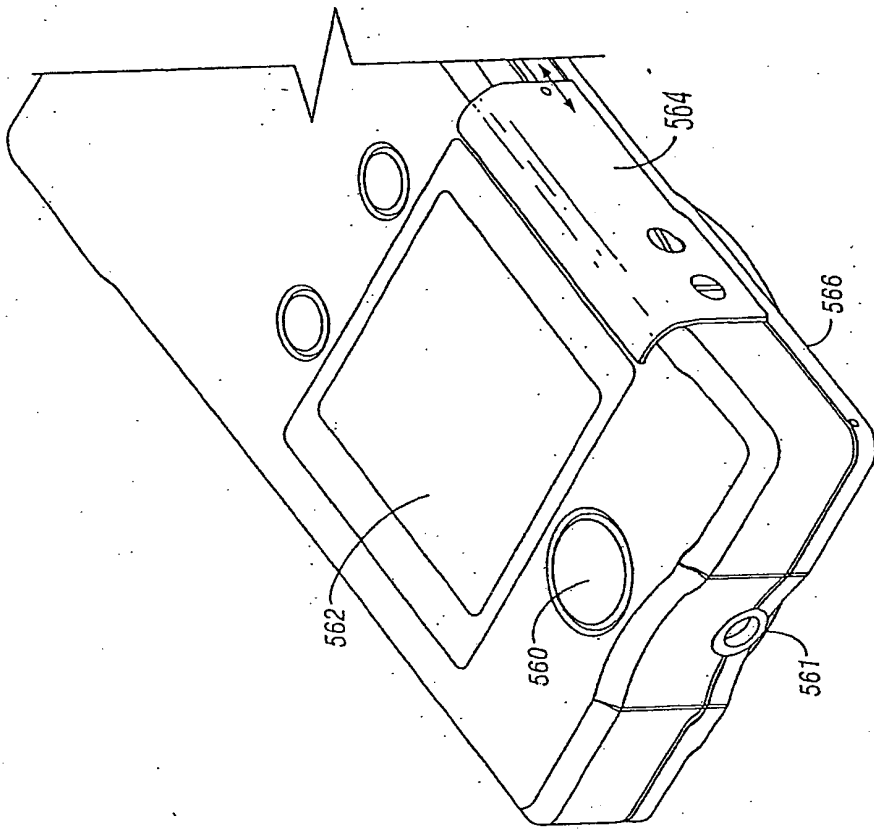


FIG. 56A

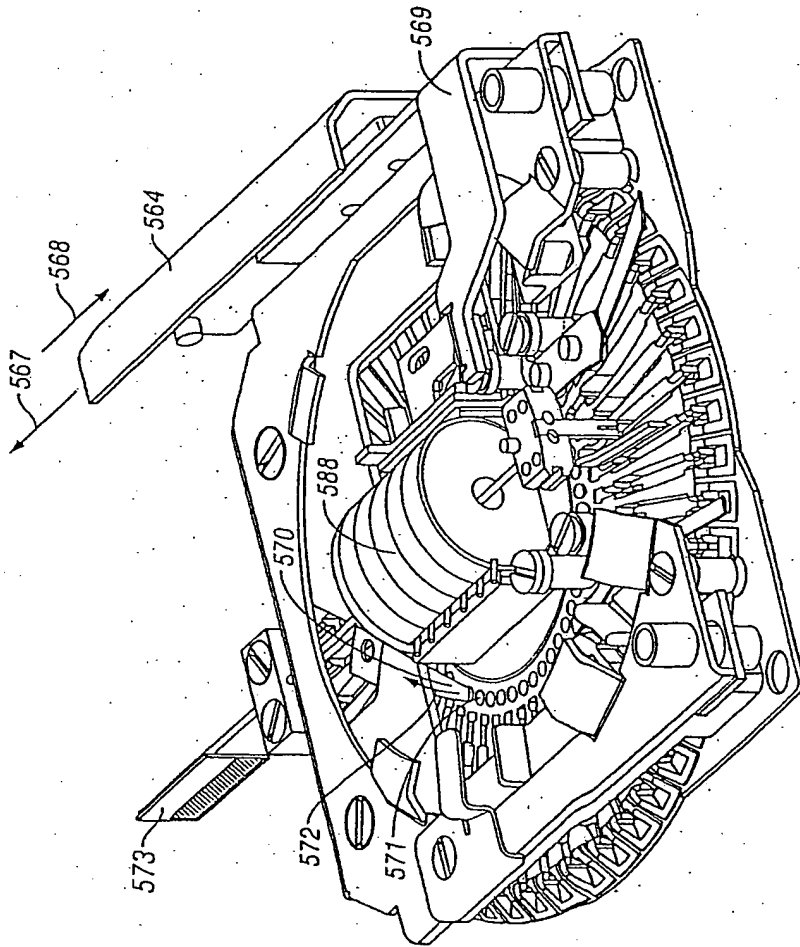


FIG. 56B

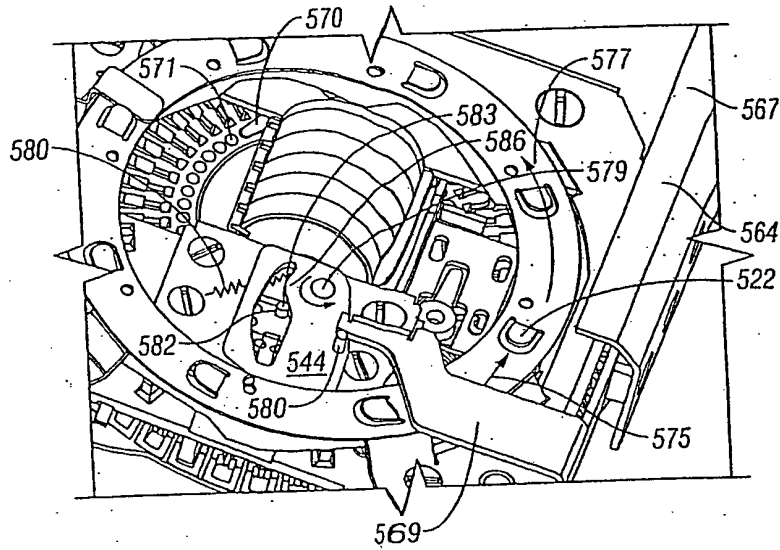


FIG. 56C

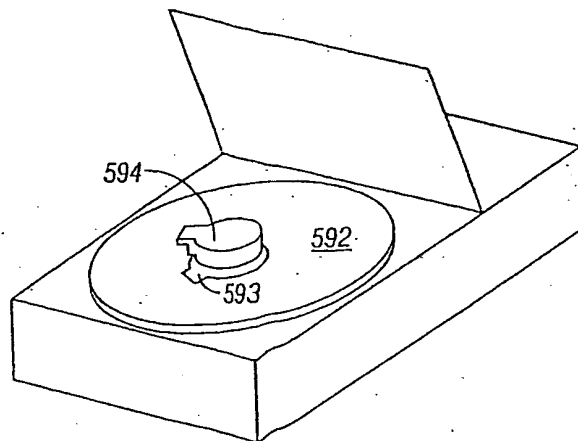


FIG. 56D

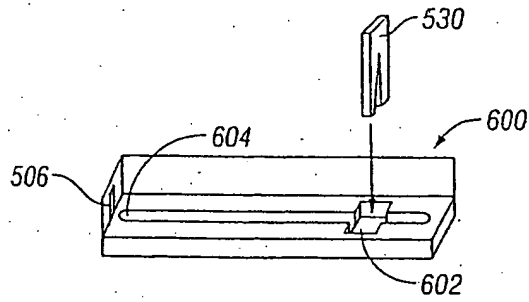


FIG. 57

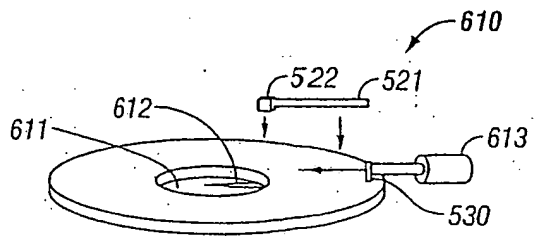


FIG. 58

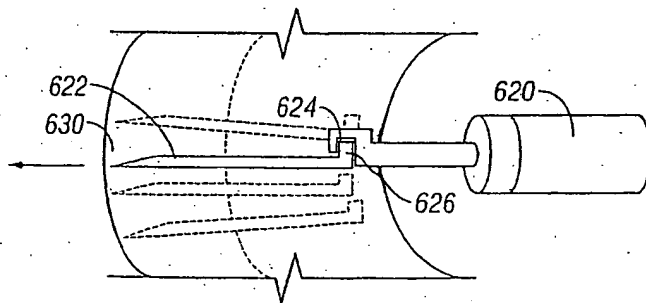


FIG. 59

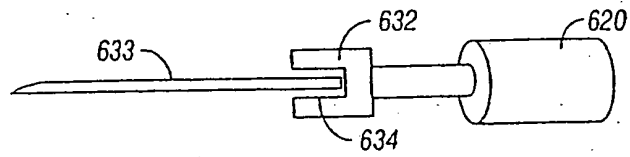


FIG. 60A

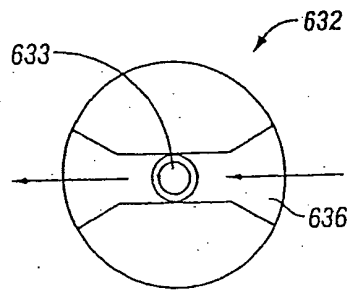


FIG. 60B

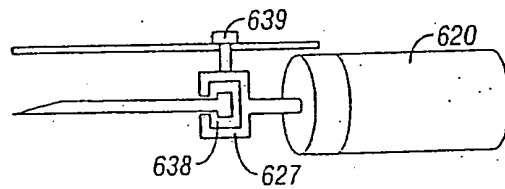


FIG. 60C

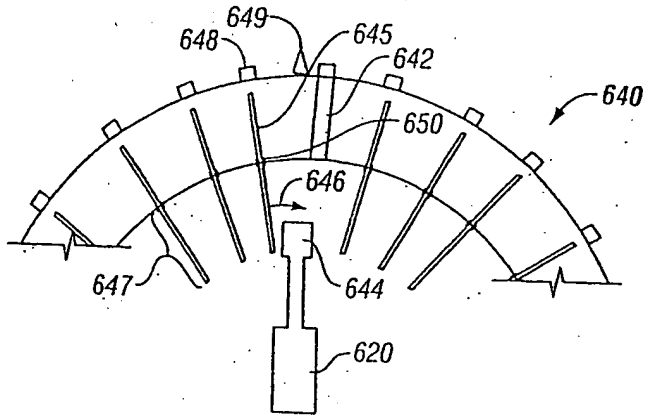


FIG. 61

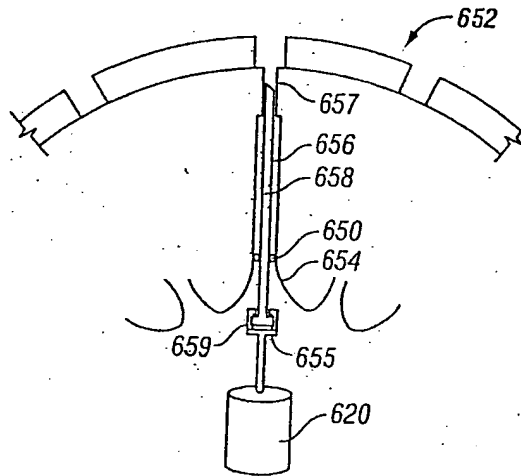


FIG. 62

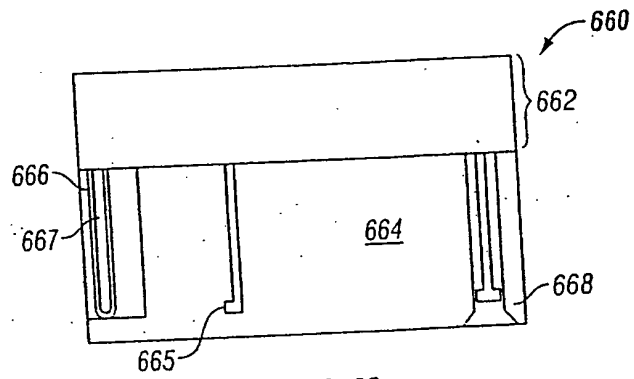


FIG. 63

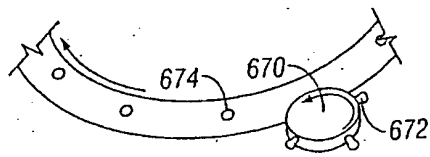


FIG. 64A

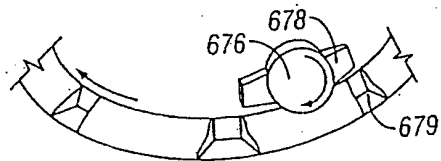


FIG. 64B

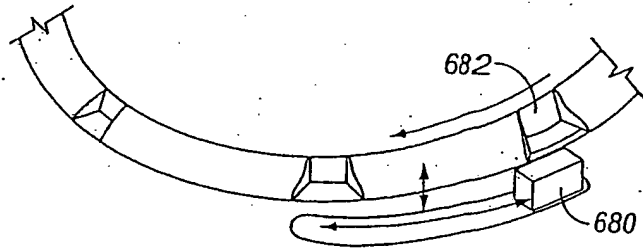


FIG. 64C

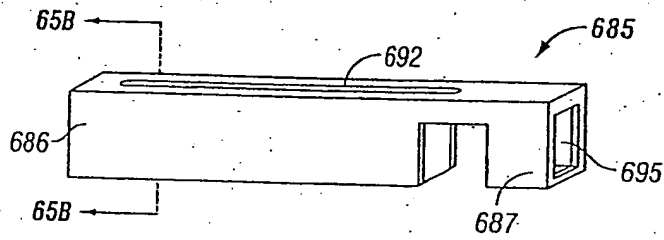


FIG. 65A

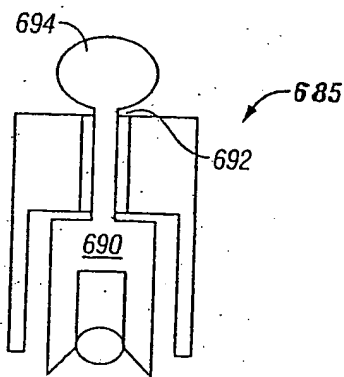


FIG. 65B

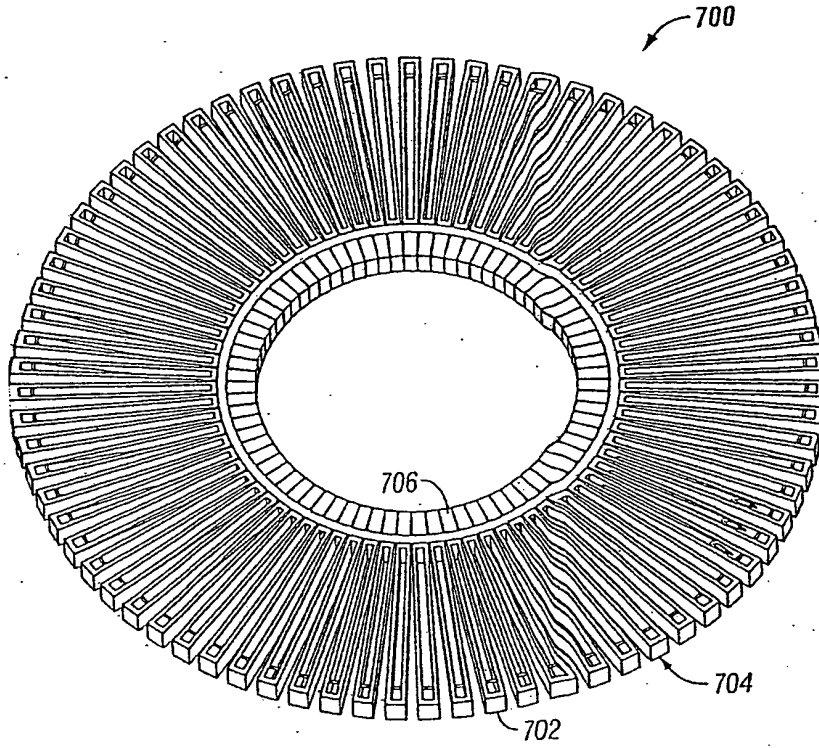


FIG. 66

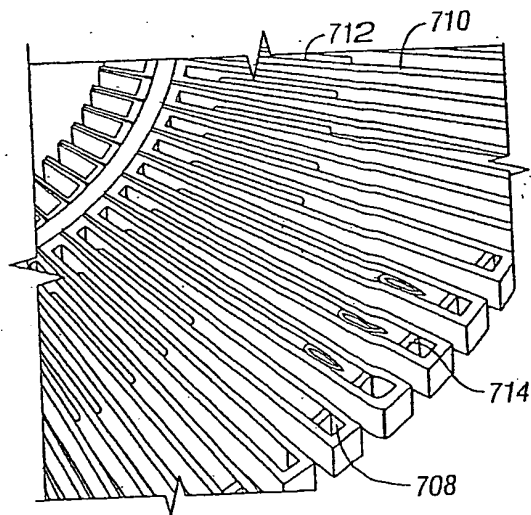


FIG. 67

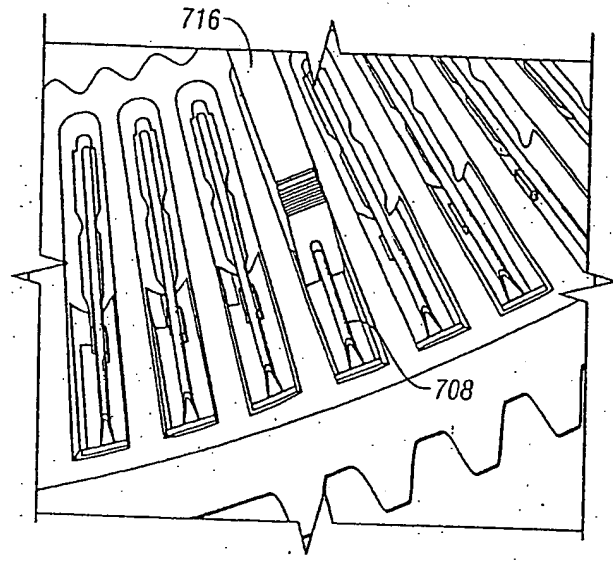


FIG. 68

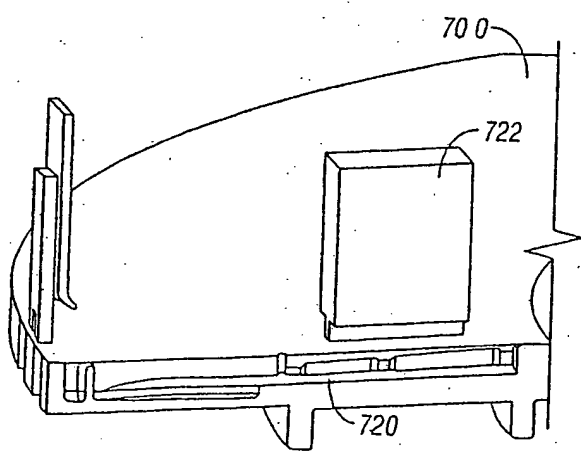


FIG. 69A

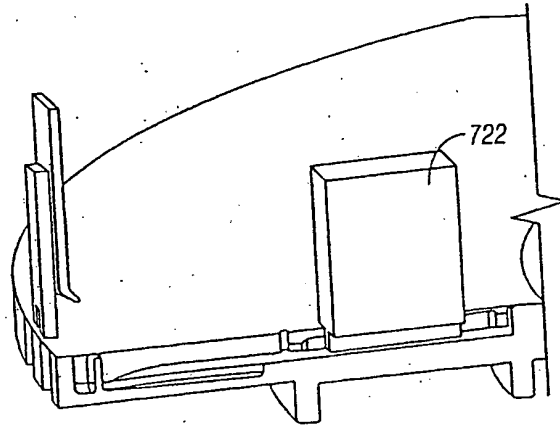


FIG. 69B

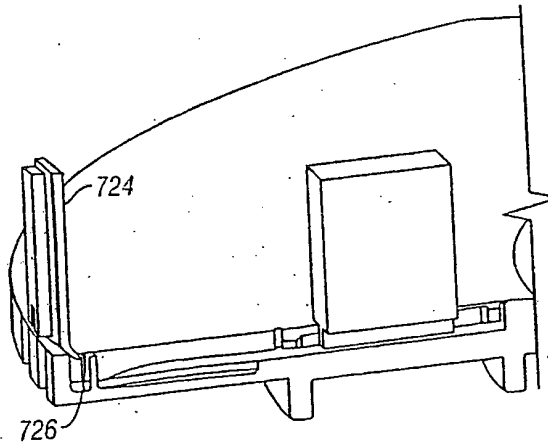


FIG. 69C

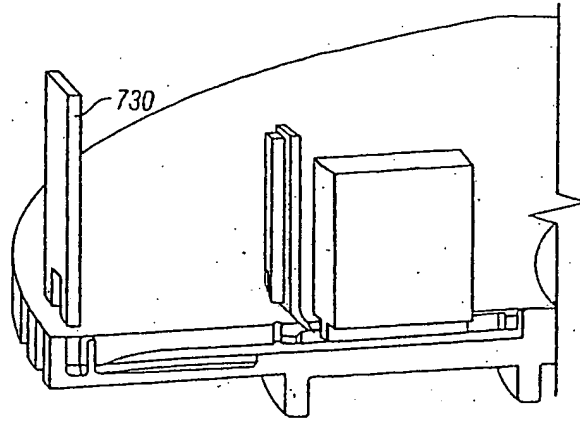


FIG. 69D

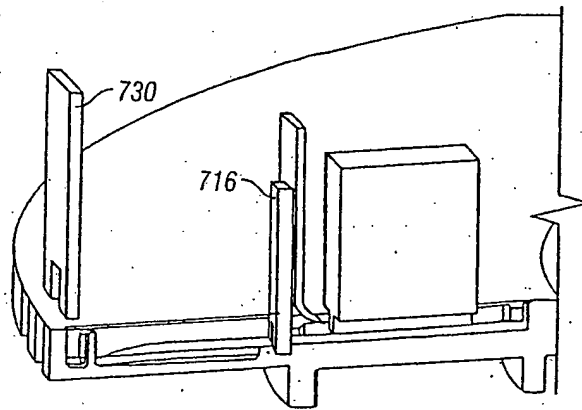


FIG. 69E

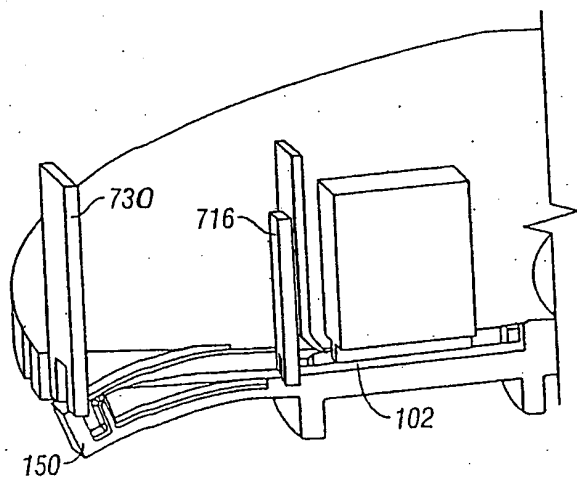


FIG. 69F

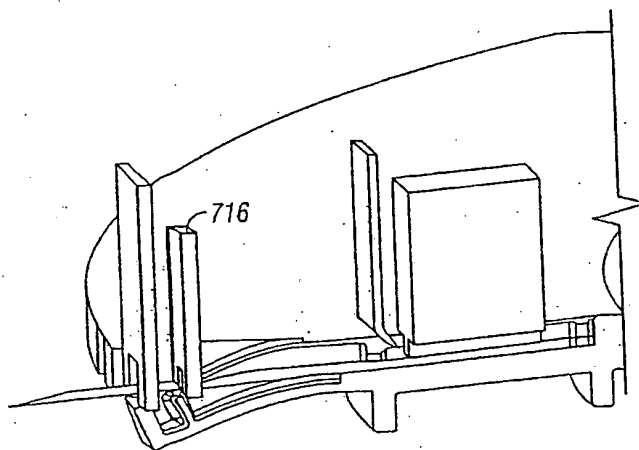


FIG. 69G

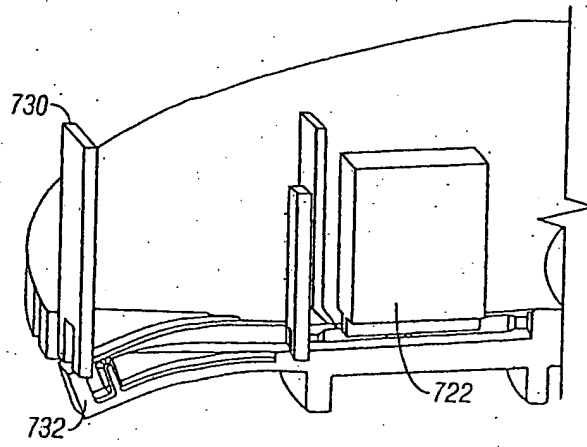


FIG. 69H

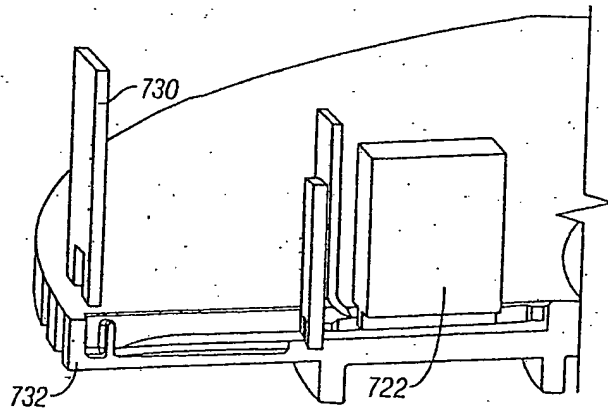


FIG. 69I

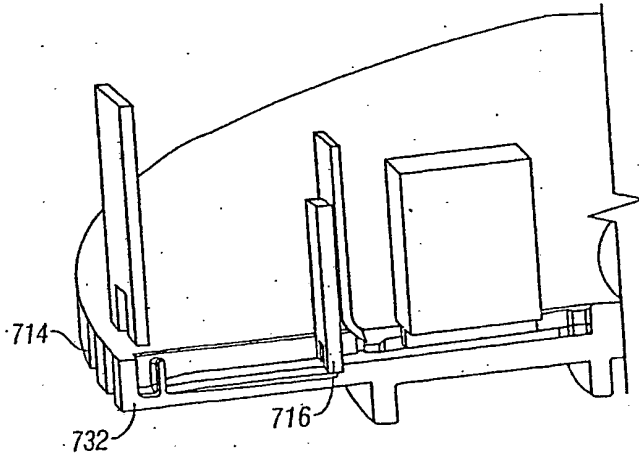


FIG. 69J

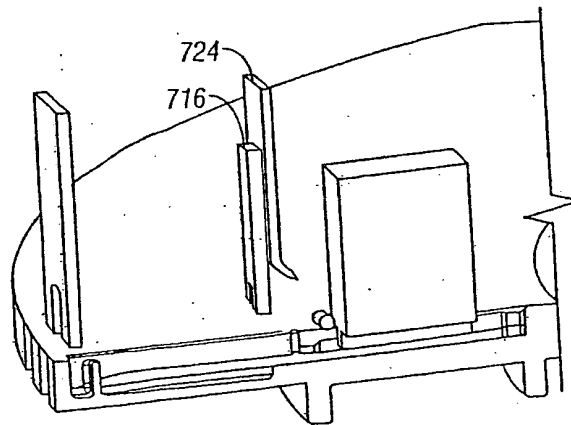


FIG. 69K

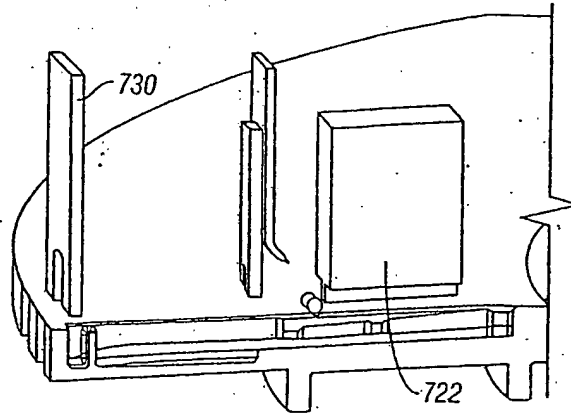


FIG. 69L

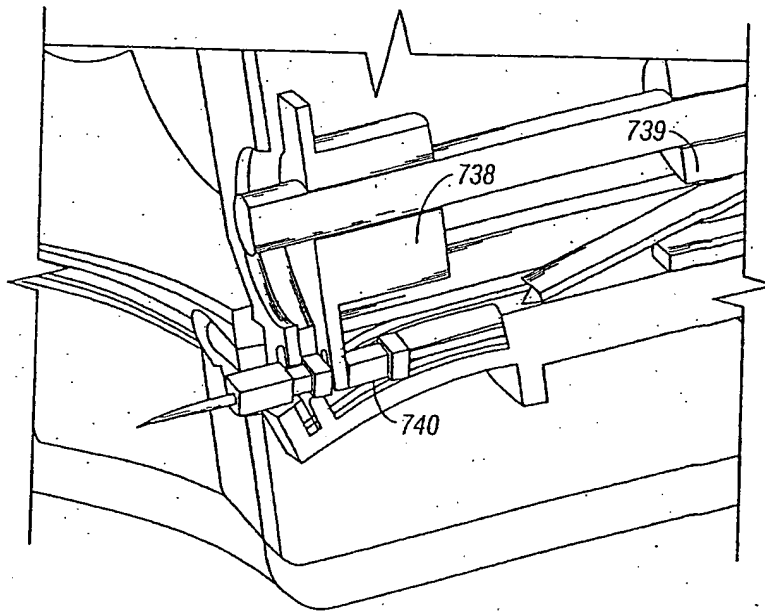


FIG. 70

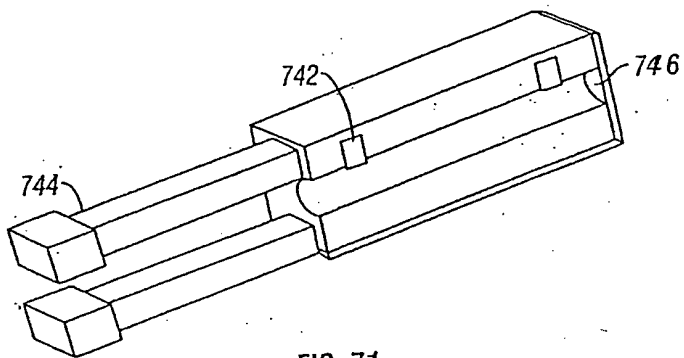


FIG. 71

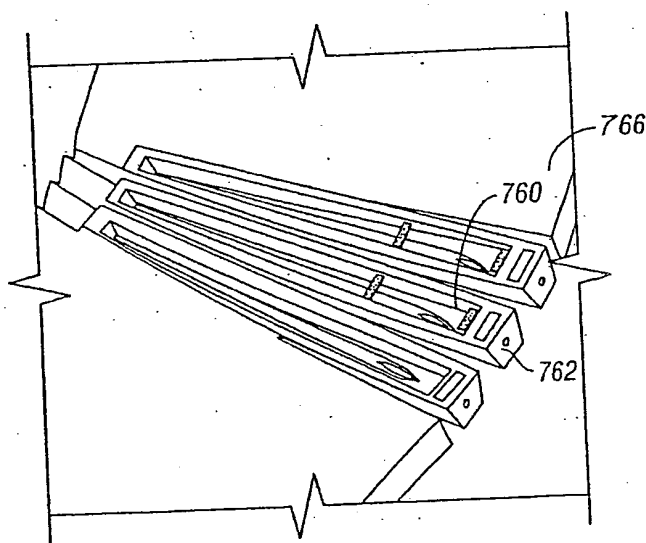


FIG. 72

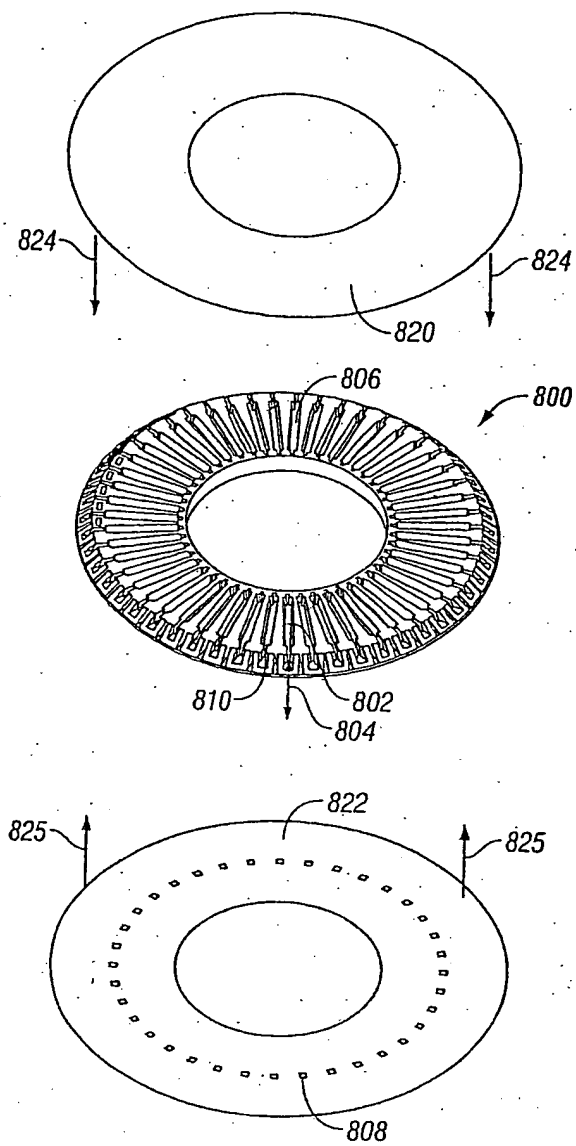


FIG. 73

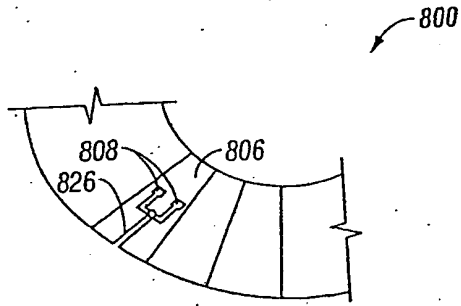


FIG. 74

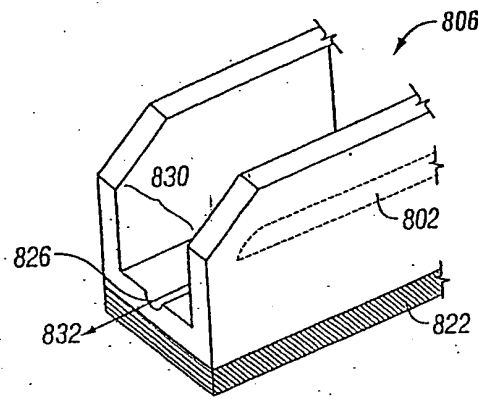


FIG. 75

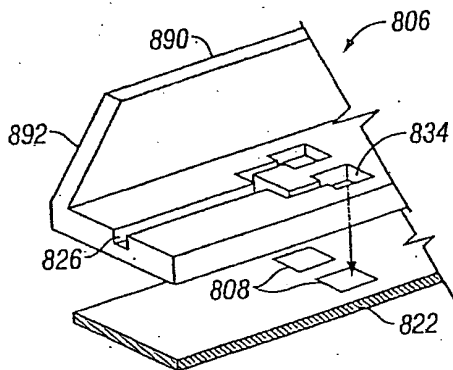


FIG. 76

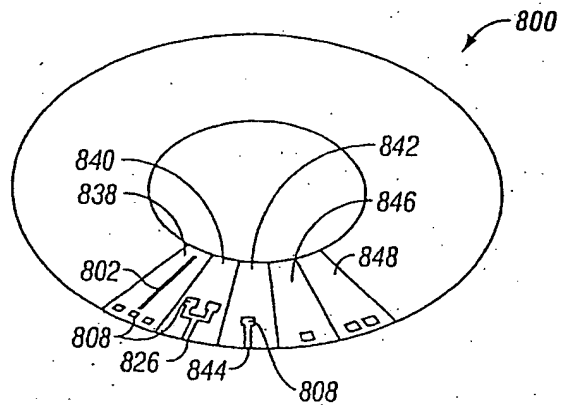


FIG. 77

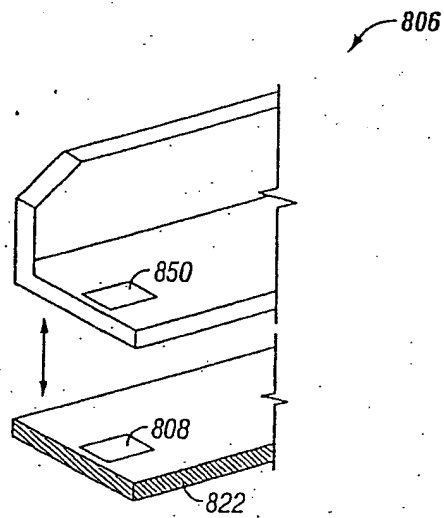


FIG. 78

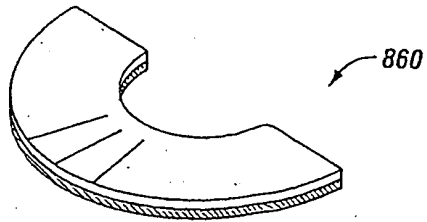


FIG. 79

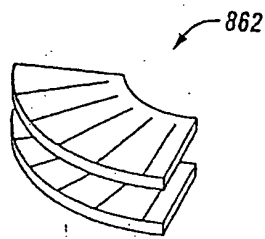


FIG. 80

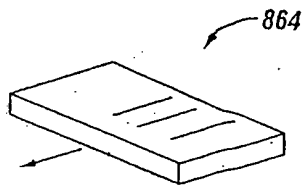


FIG. 81

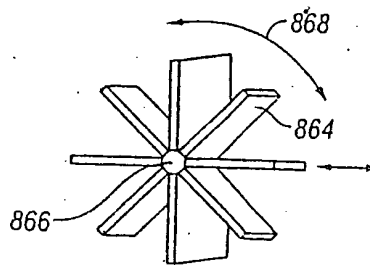


FIG. 82

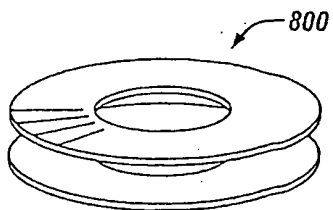


FIG. 83

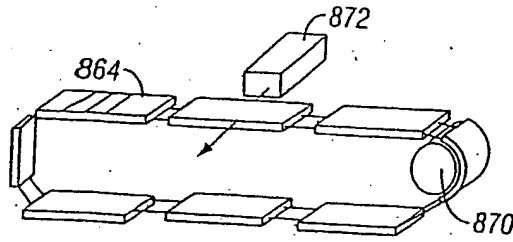


FIG. 84

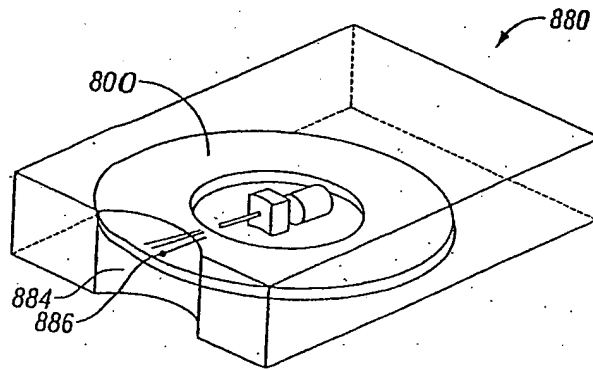


FIG. 85

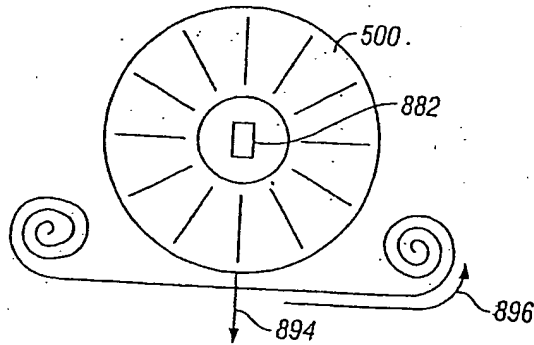


FIG. 86

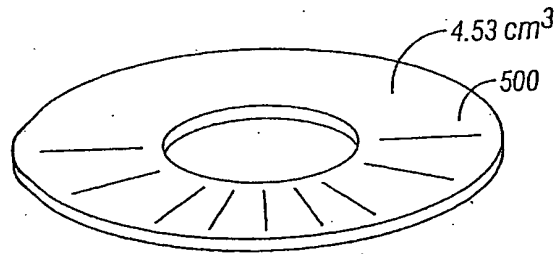


FIG. 87A

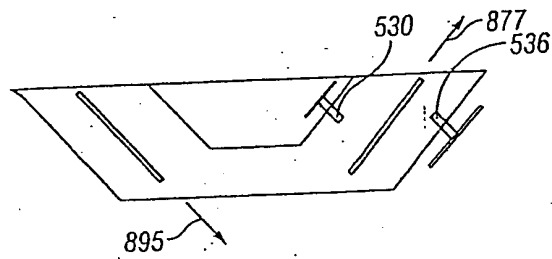


FIG. 87B

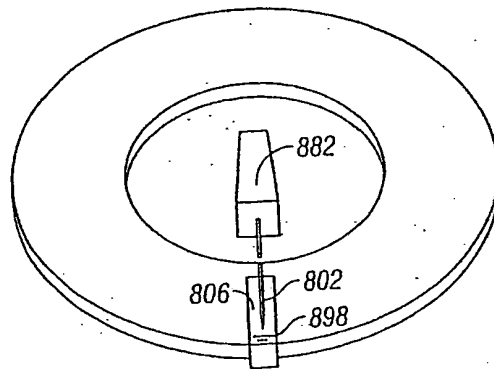


FIG. 88

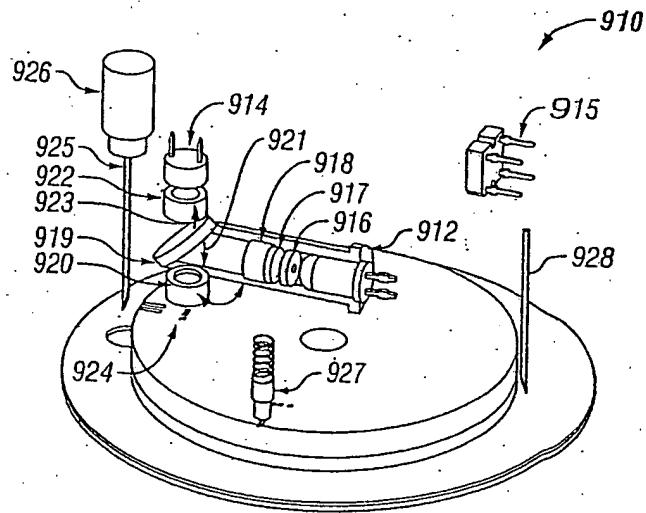


FIG. 89

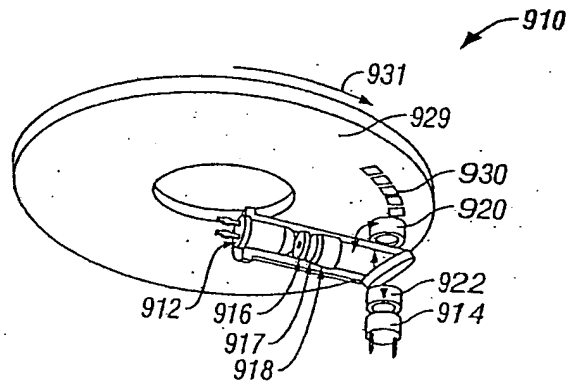


FIG. 90

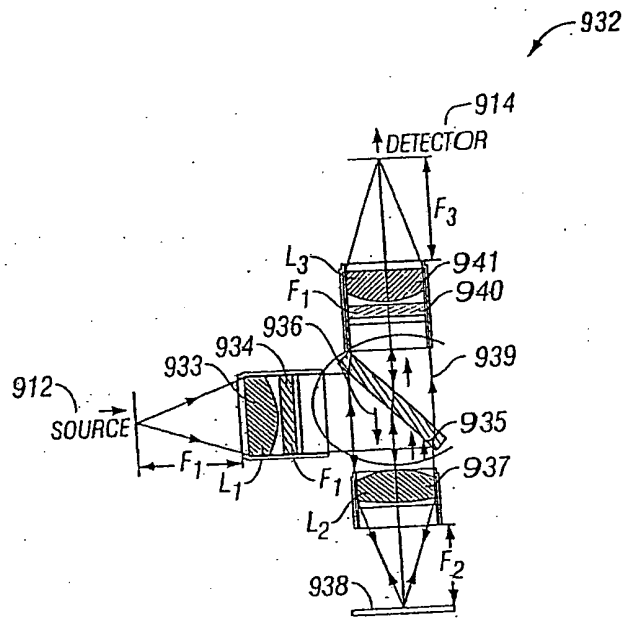


FIG. 91

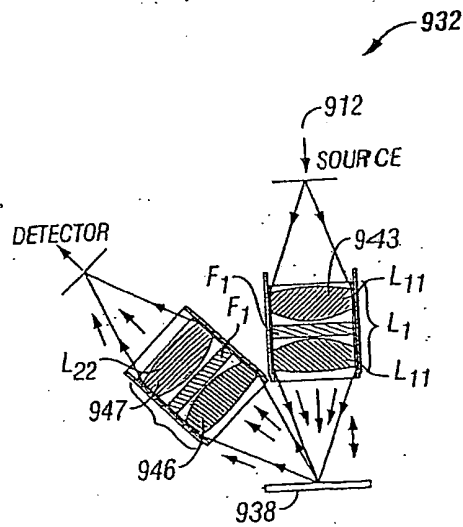


FIG. 92

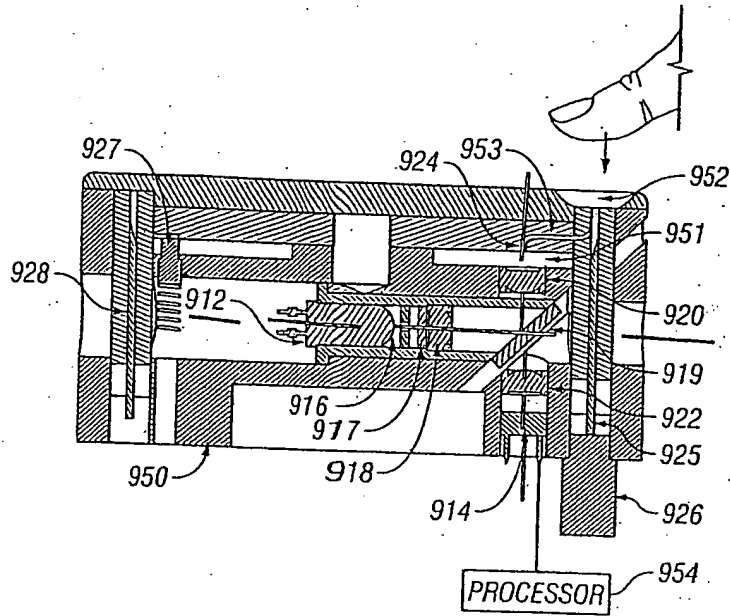


FIG. 93

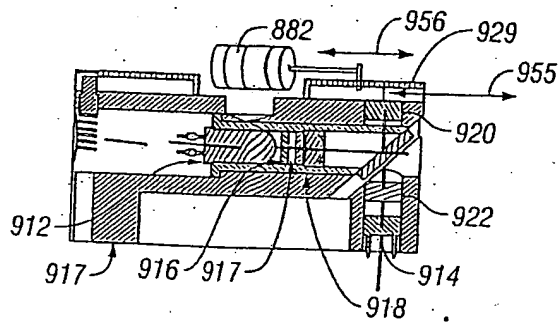


FIG. 94

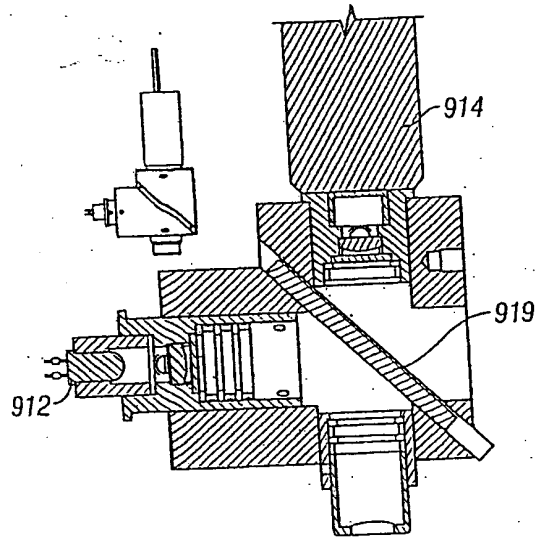


FIG. 95

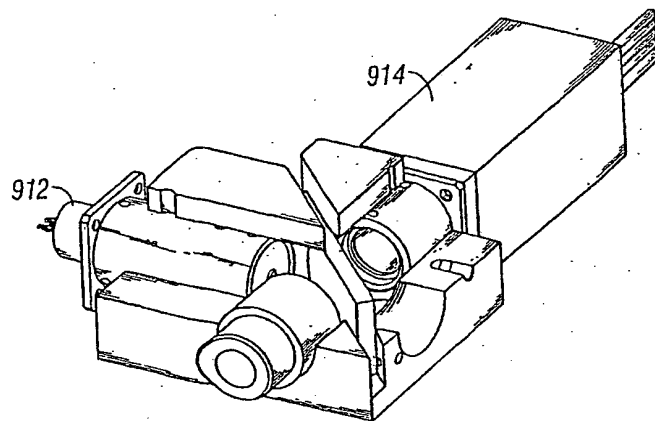


FIG. 96

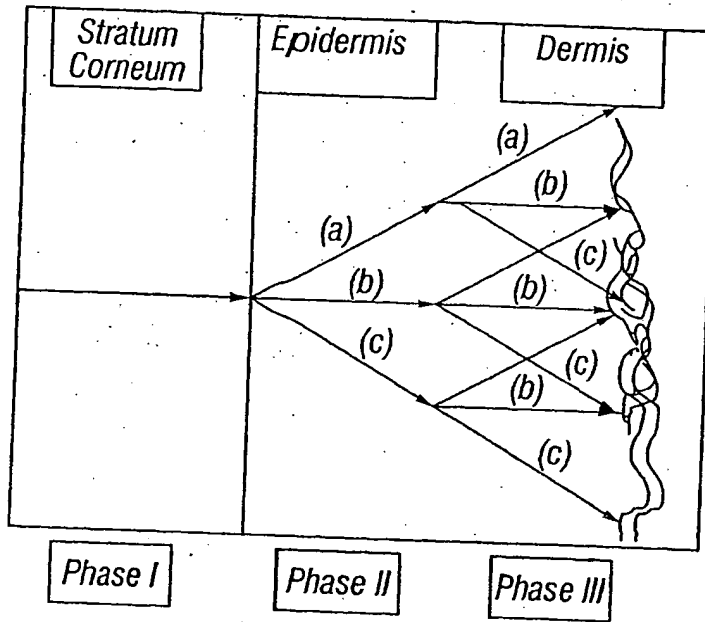


FIG. 97

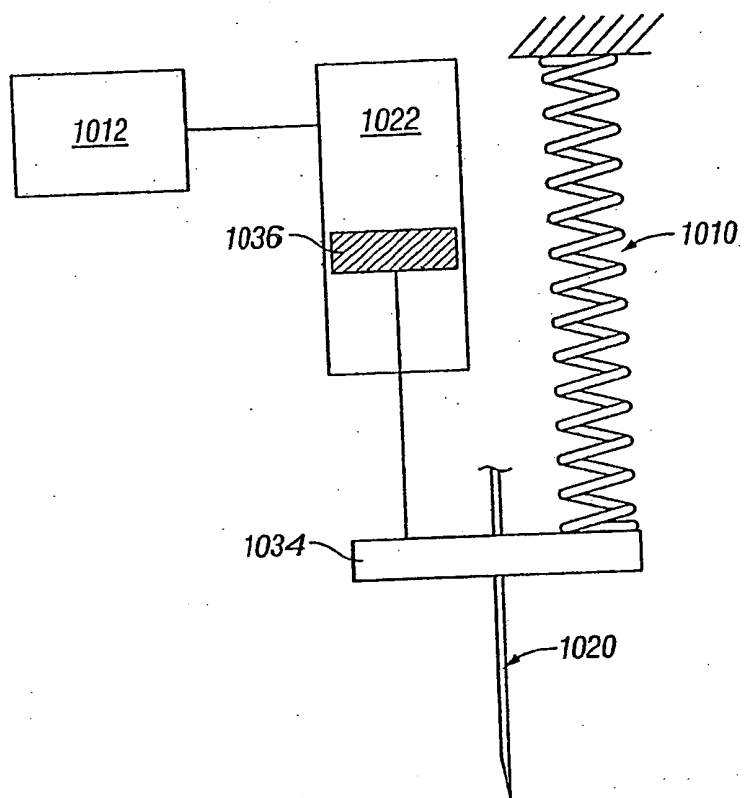


FIG. 98

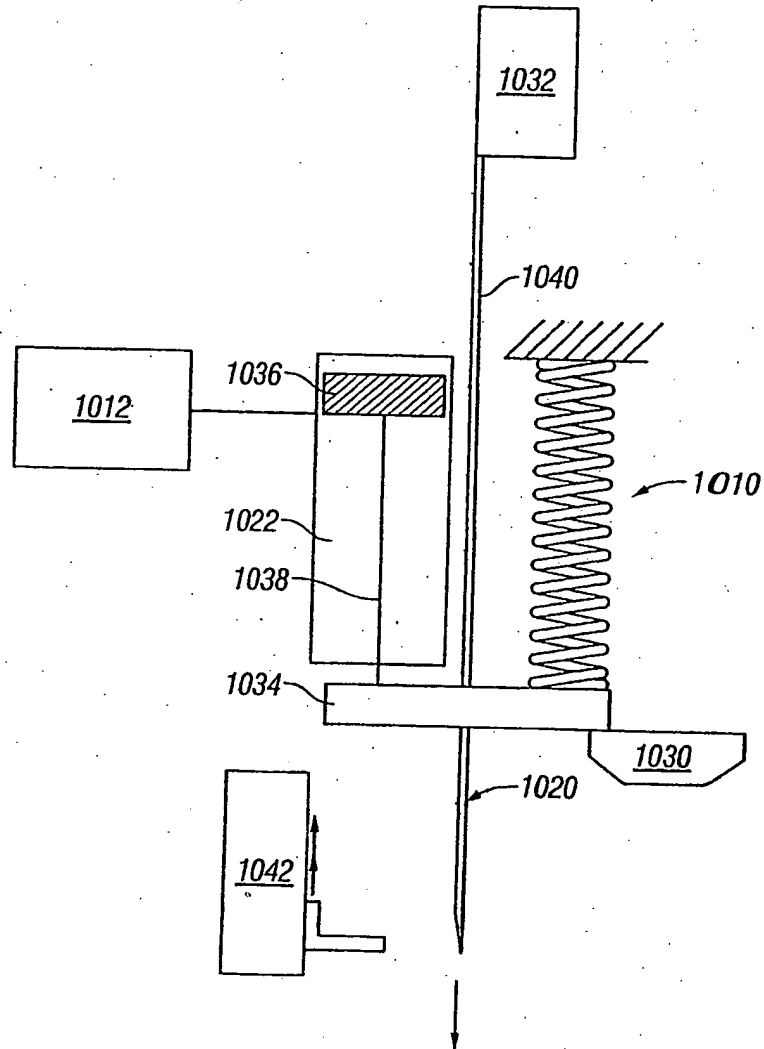


FIG. 99

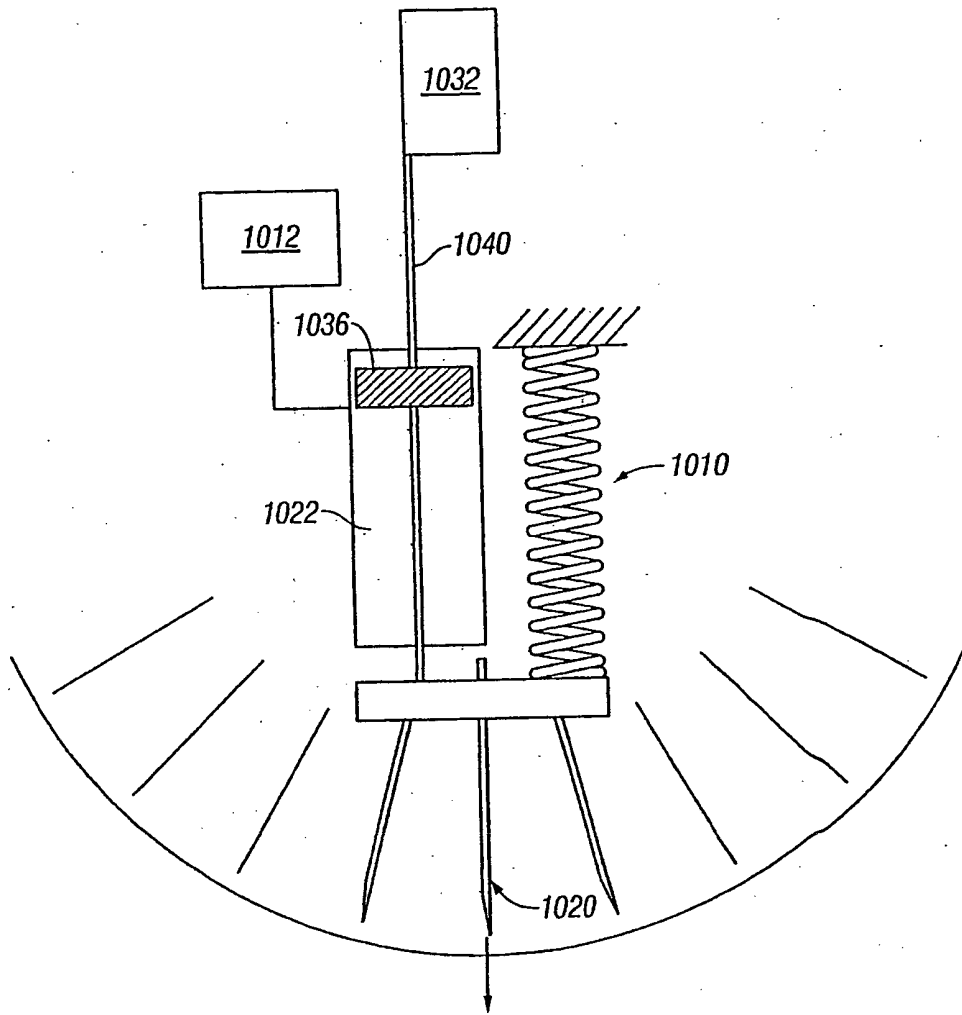


FIG. 100

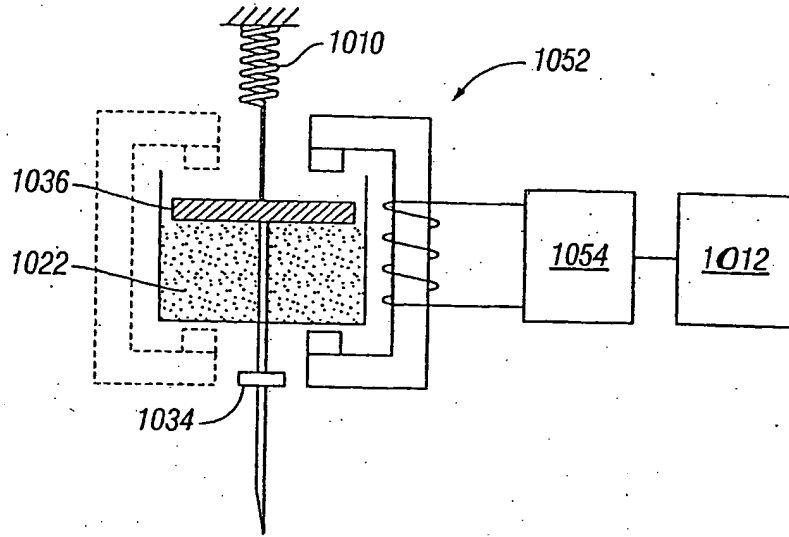


FIG. 101

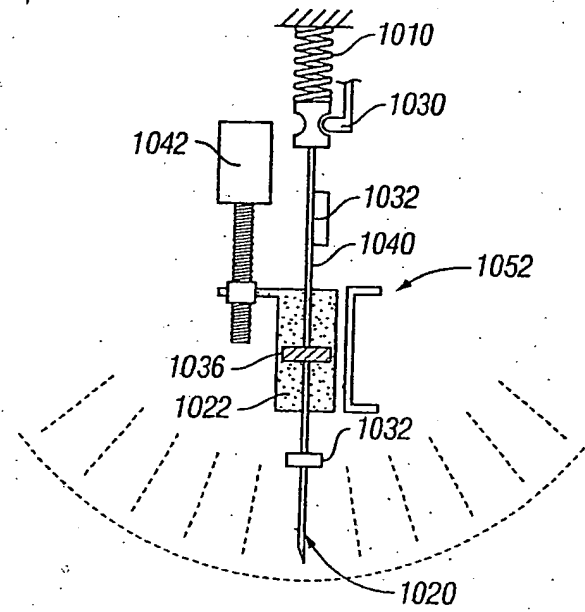


FIG. 102

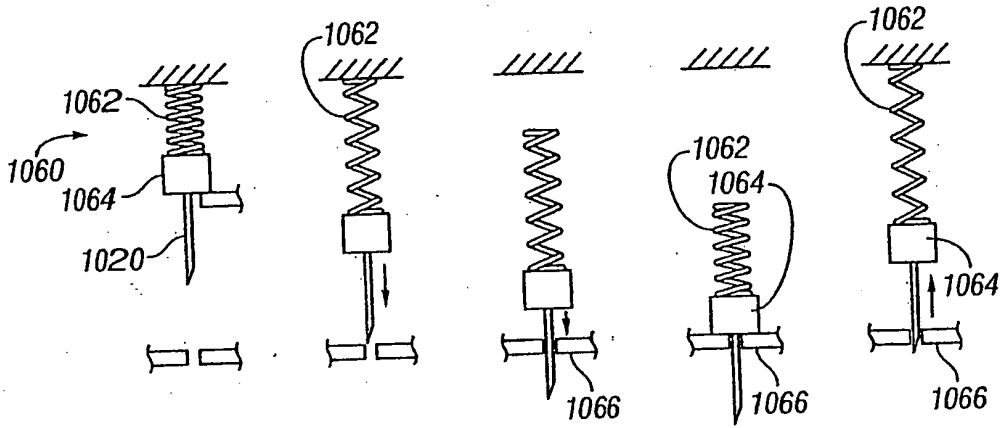


FIG. 103A

FIG. 103B

FIG. 103C

FIG. 103D

FIG. 103E

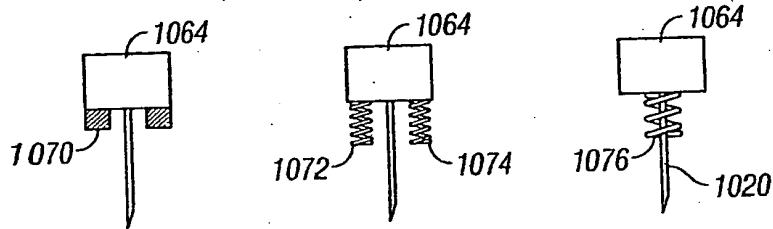


FIG. 104A

FIG. 104B

FIG. 104C

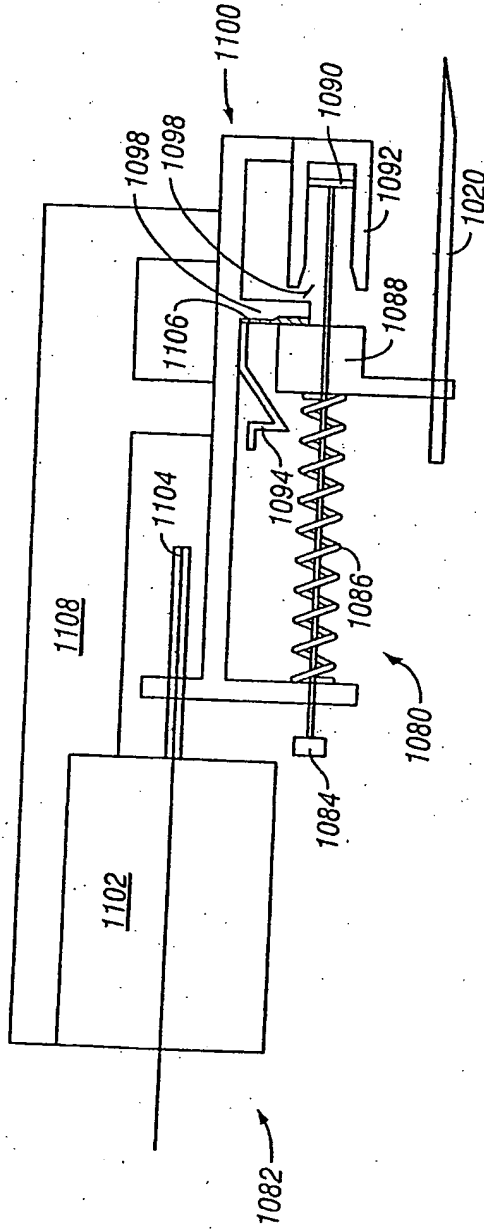


FIG. 105

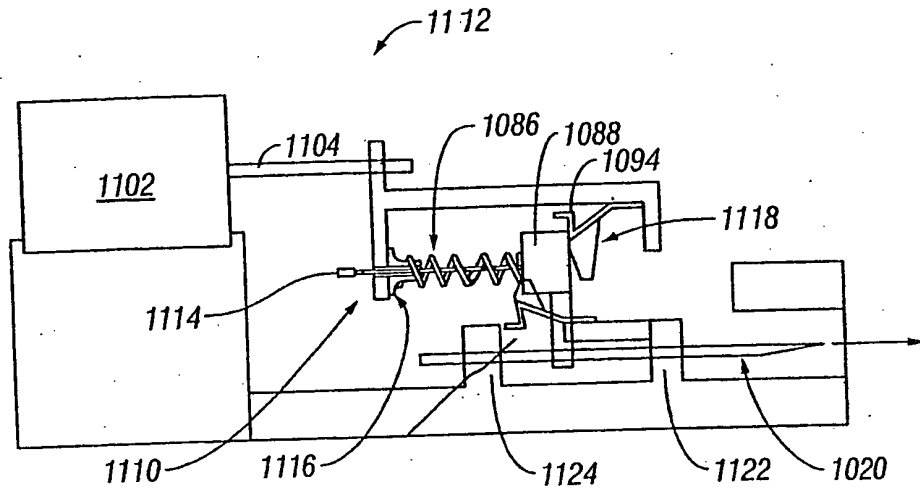


FIG. 106

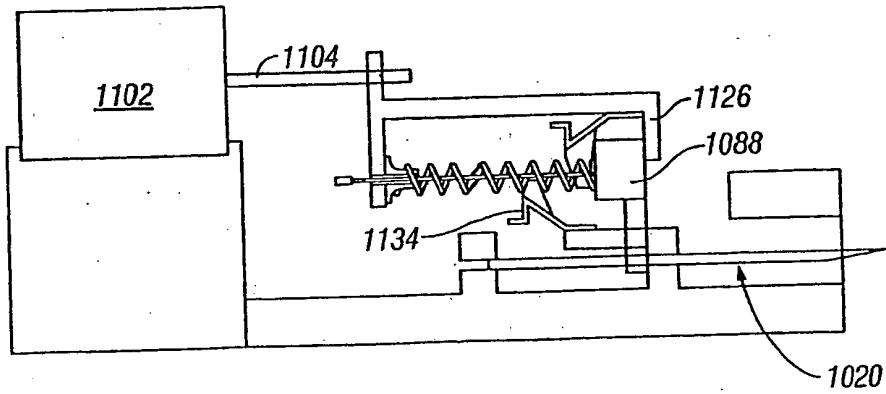


FIG. 107

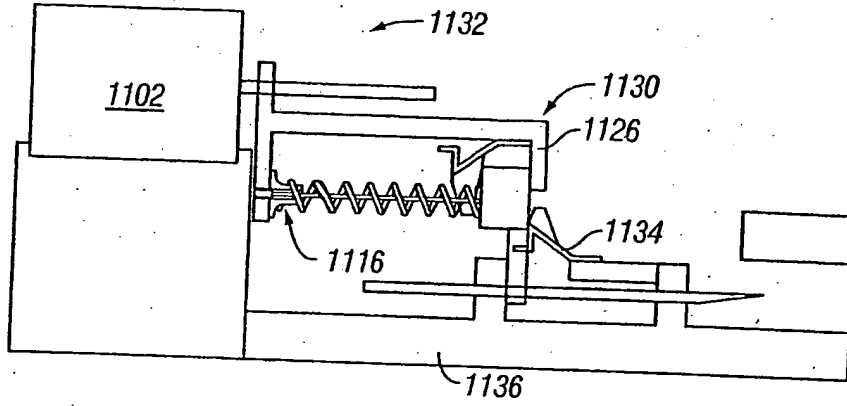


FIG. 108

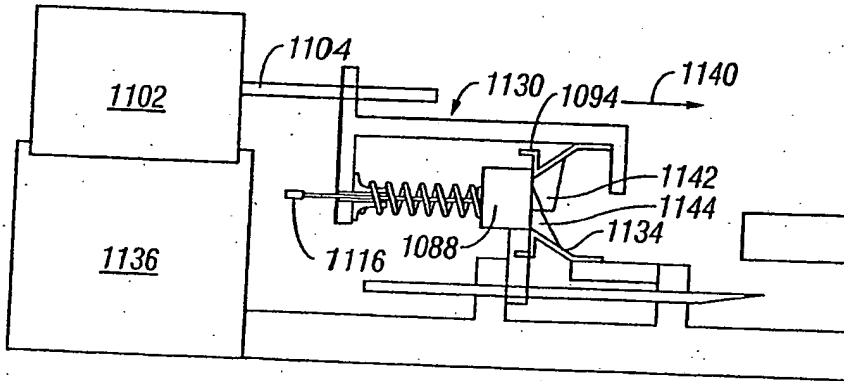


FIG. 109

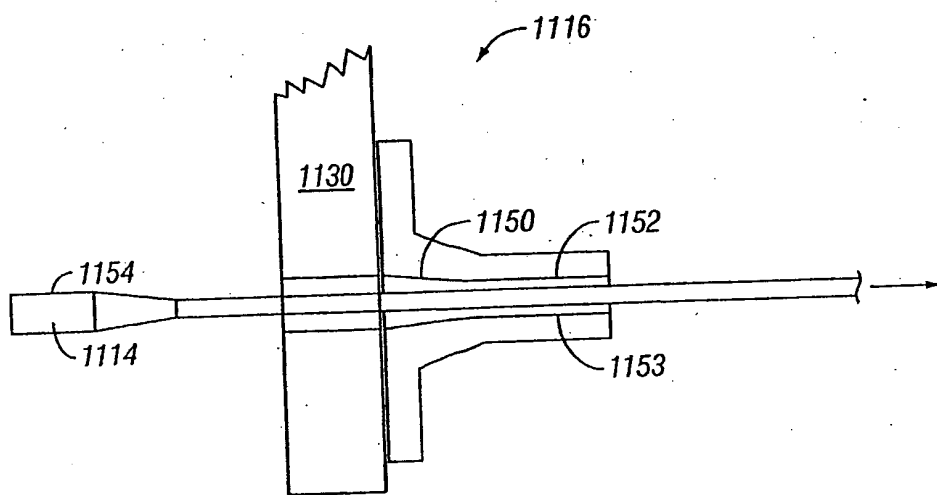


FIG. 110

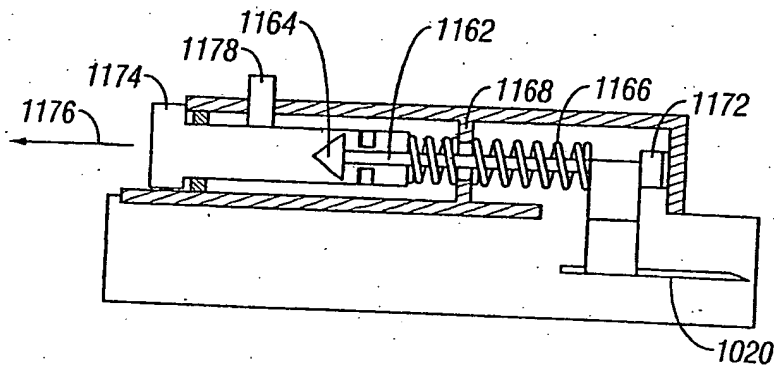


FIG. 111

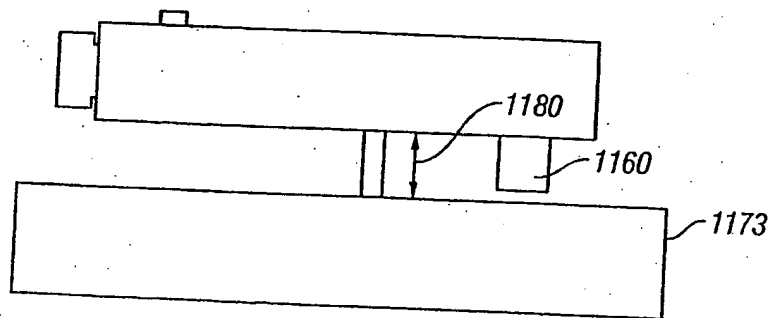


FIG. 112

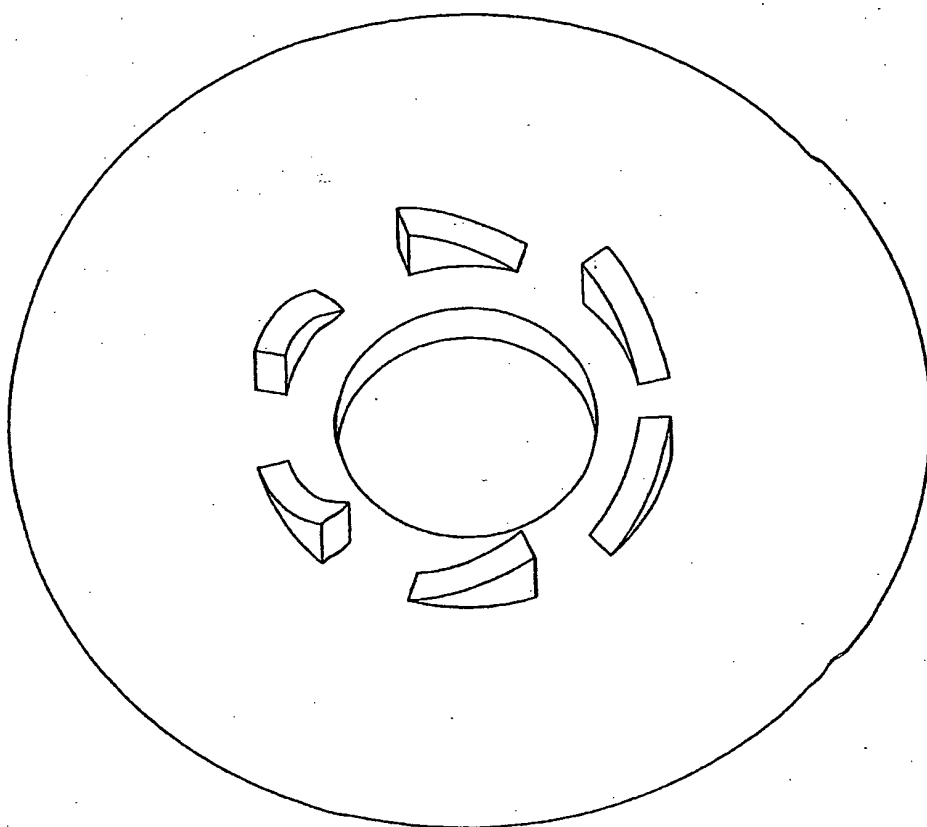


FIG. 112B

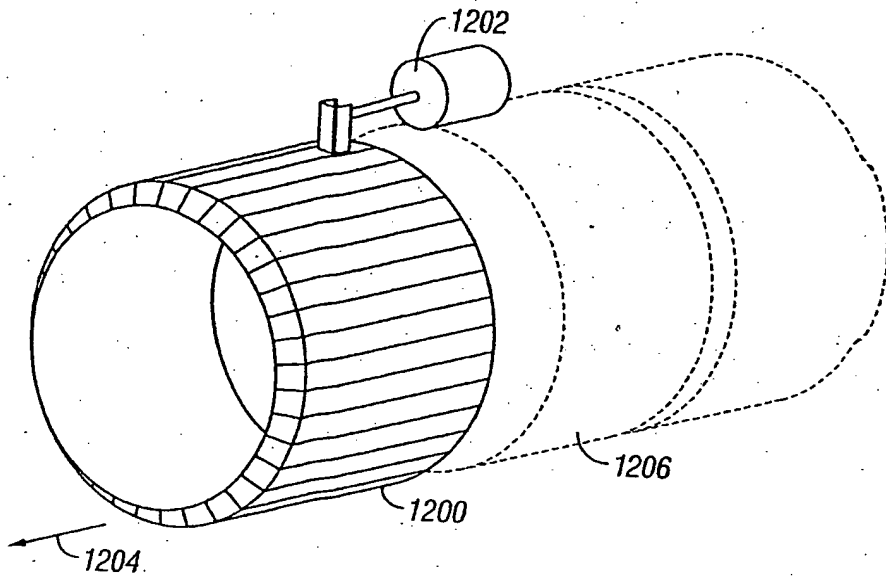


FIG. 113

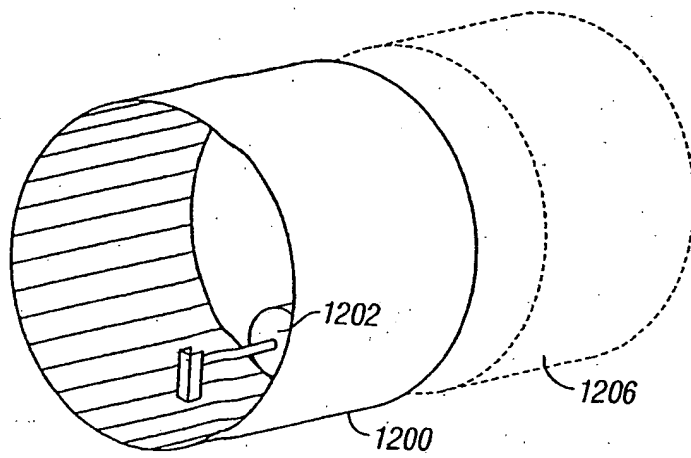


FIG. 114

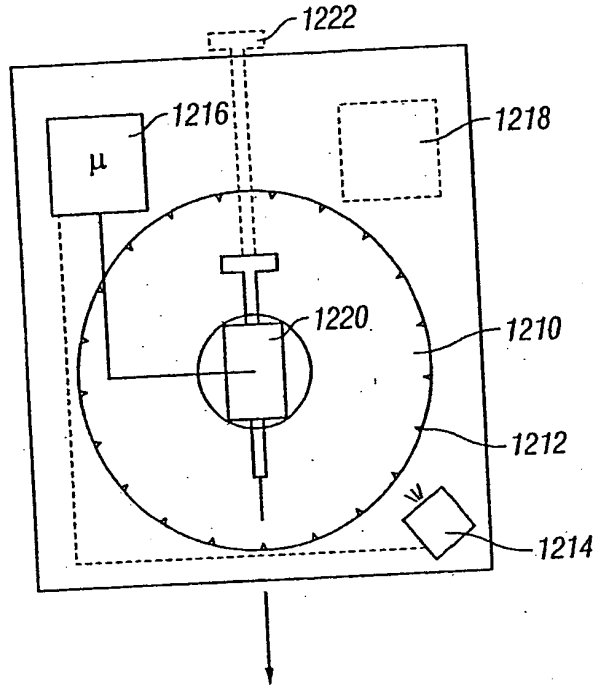


FIG. 115

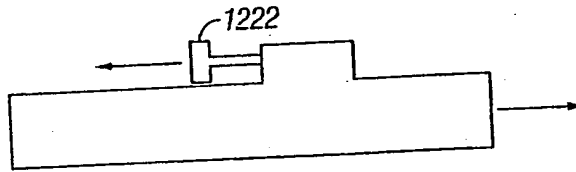


FIG. 116

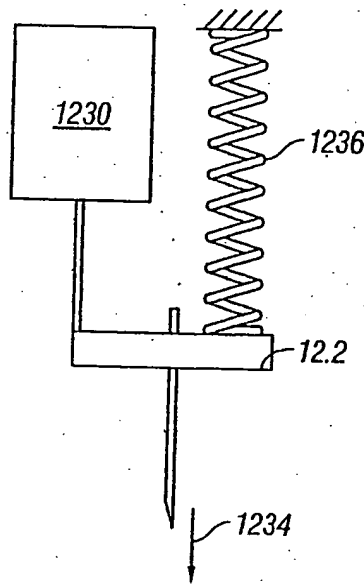


FIG. 117

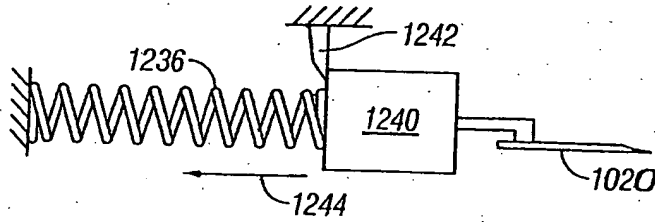


FIG. 118

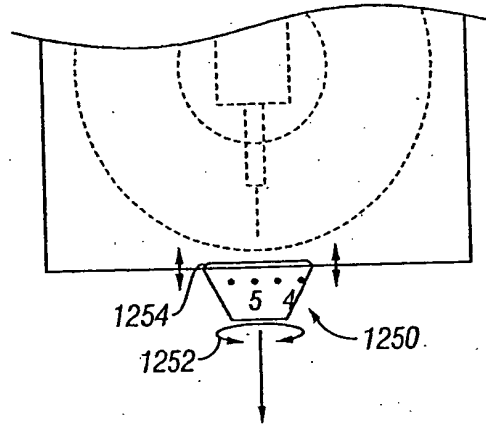


FIG. 119

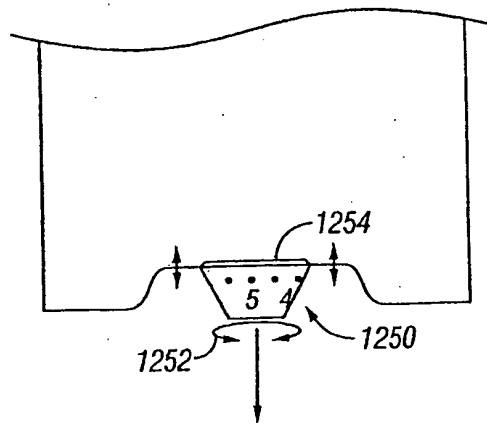


FIG. 120

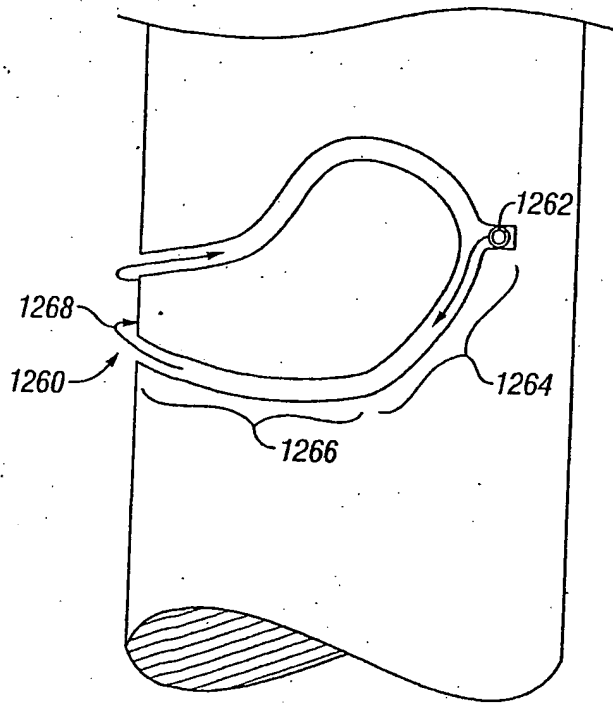


FIG. 121

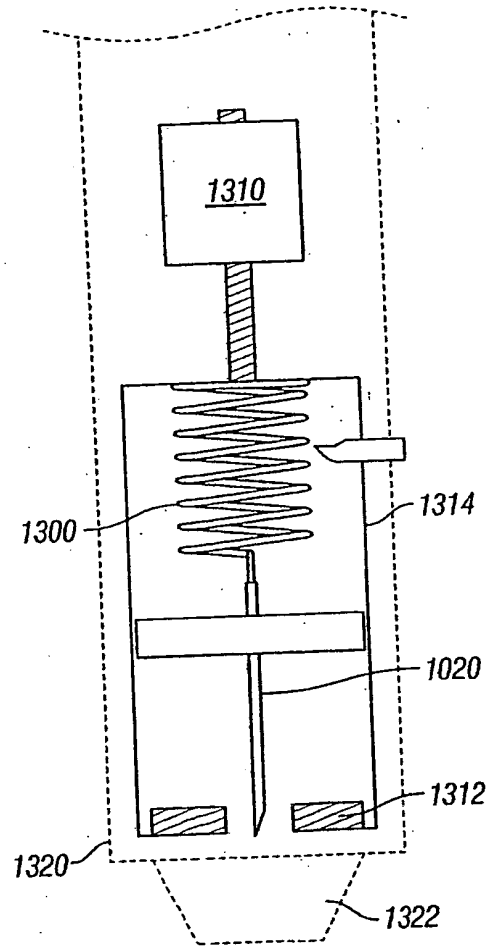


FIG. 122

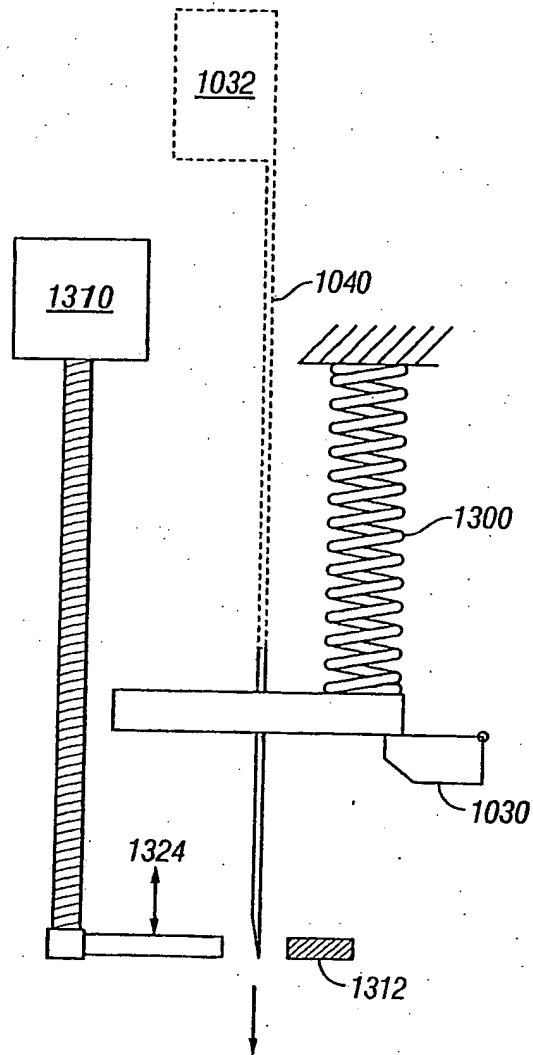


FIG. 123

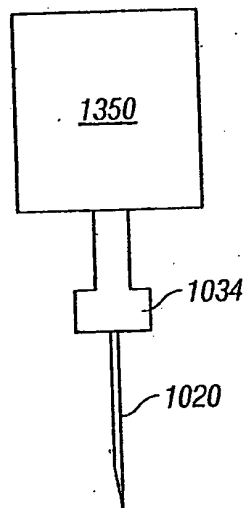


FIG. 124

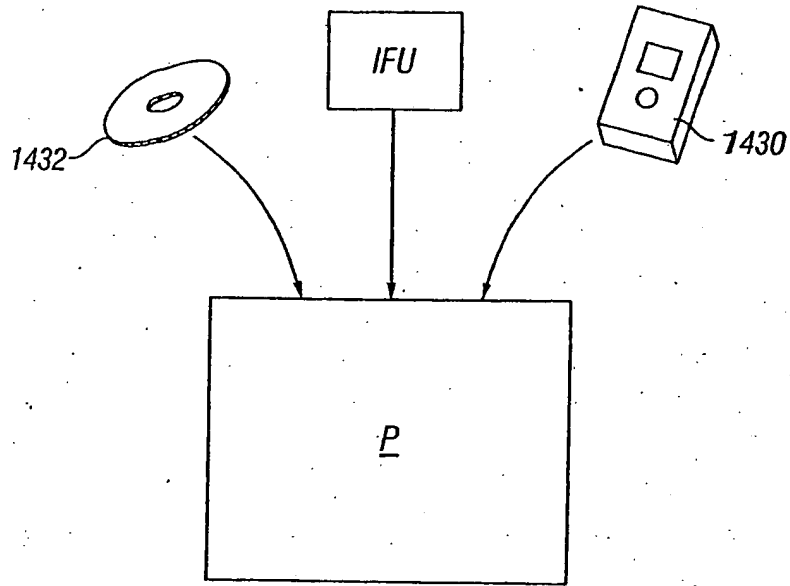


FIG. 125

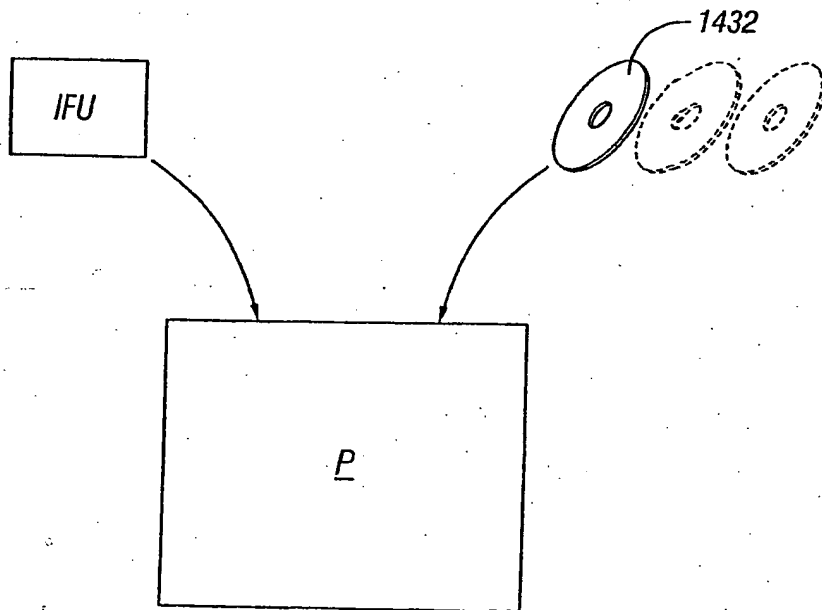


FIG. 126

1448

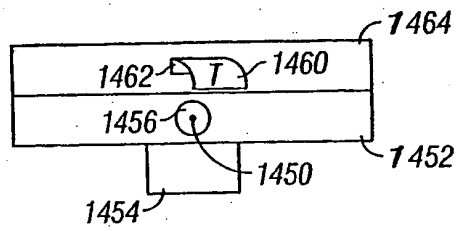


FIG. 126

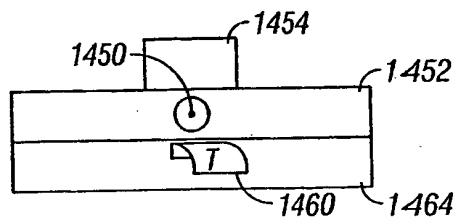


FIG. 127

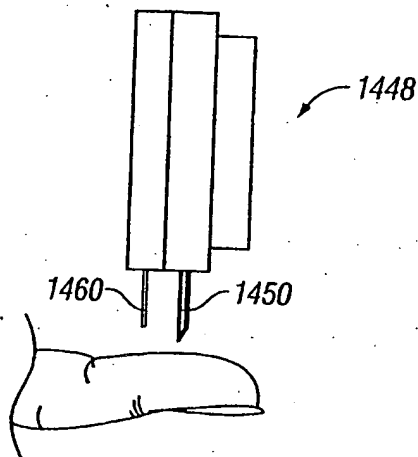


FIG. 128

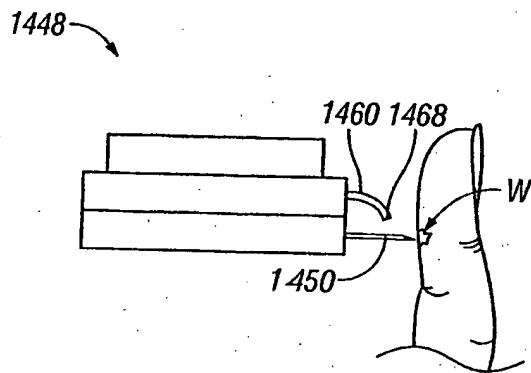


FIG. 129

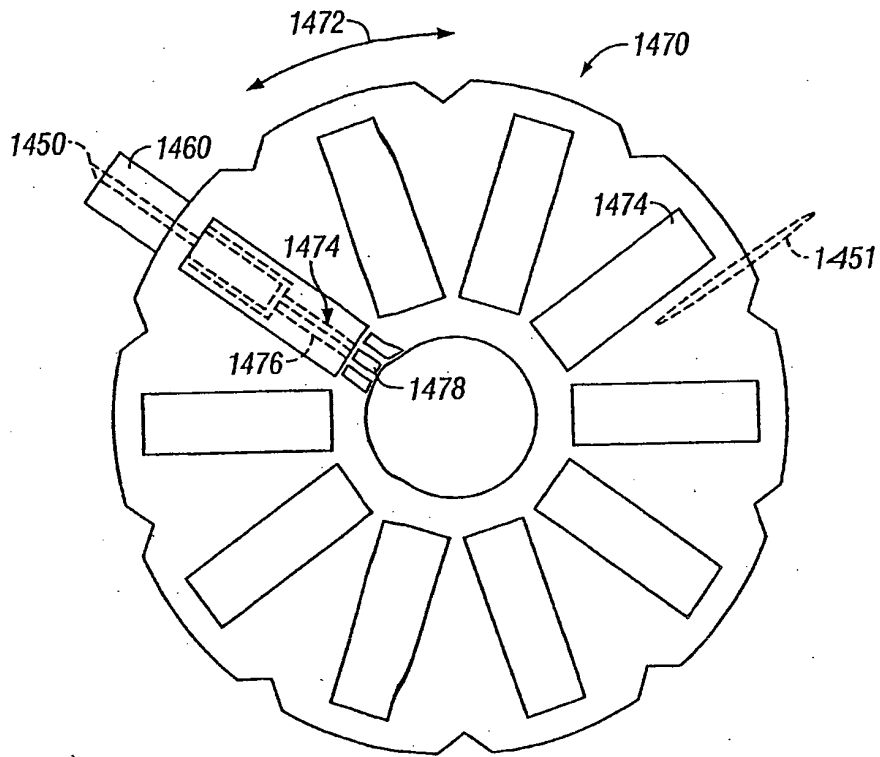


FIG. 130

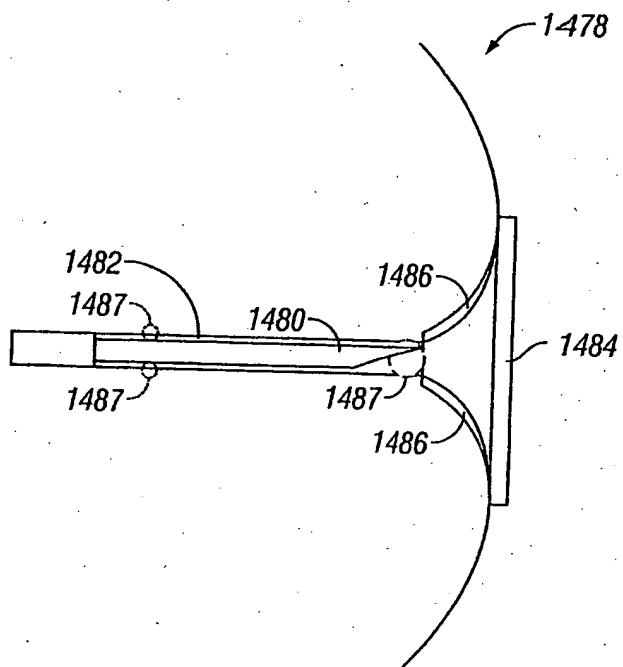


FIG. 131

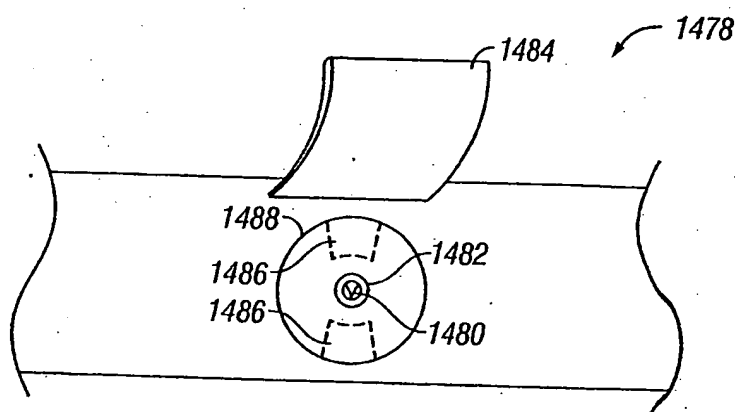


FIG. 132

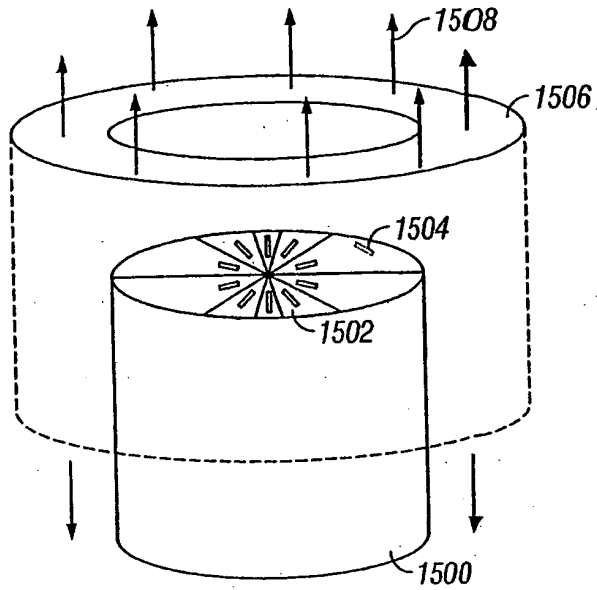


FIG. 133

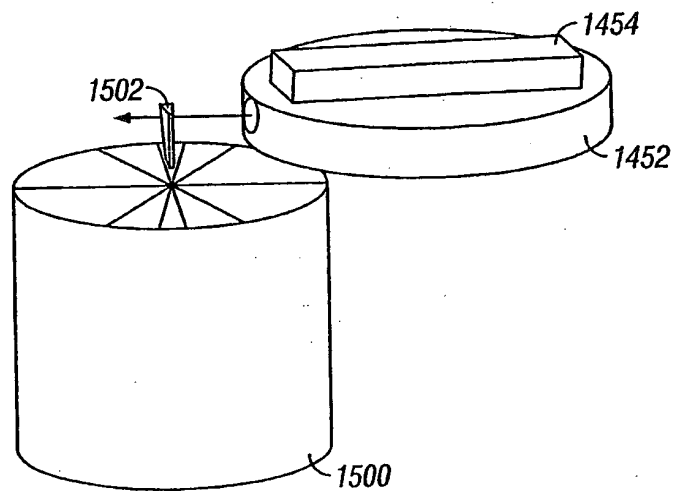


FIG. 134

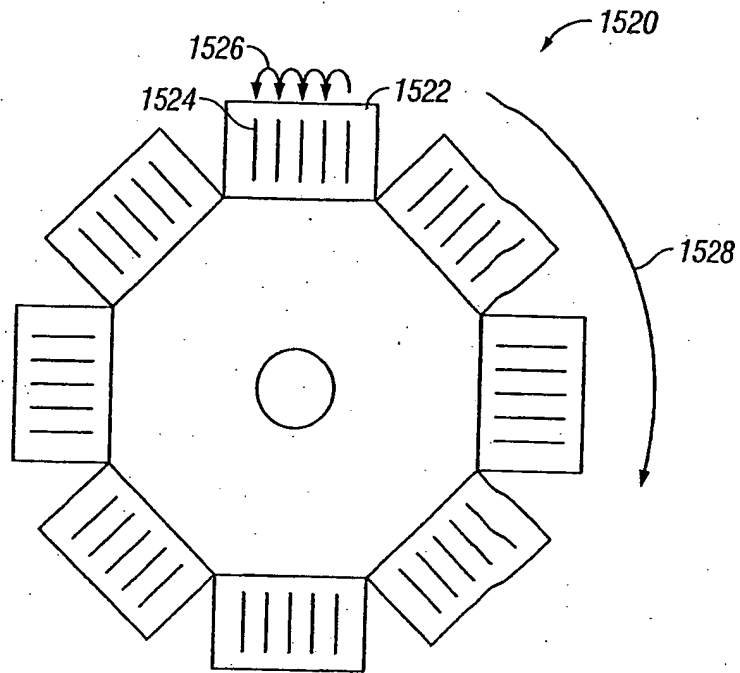


FIG. 135

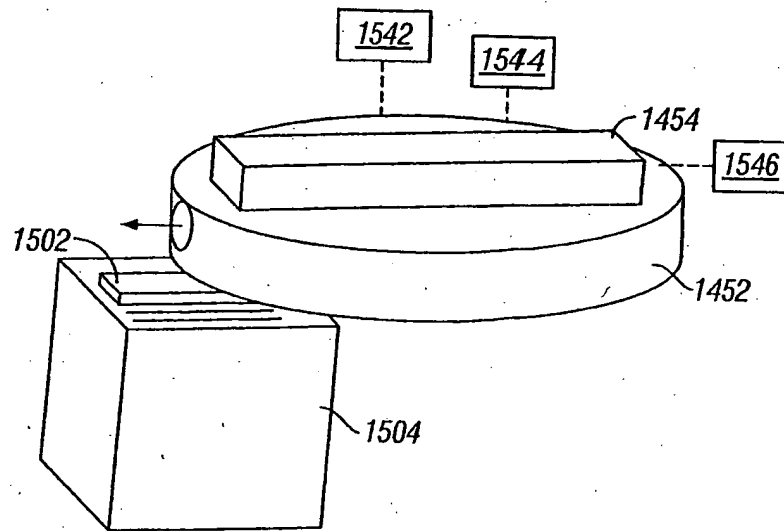


FIG. 136

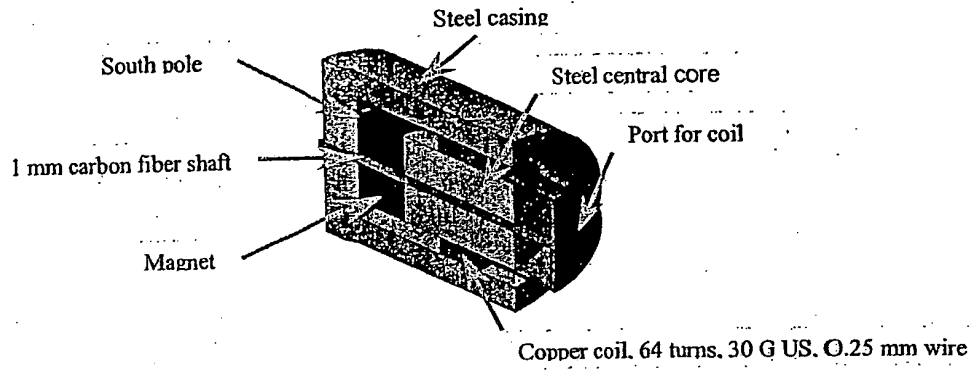


FIG-137

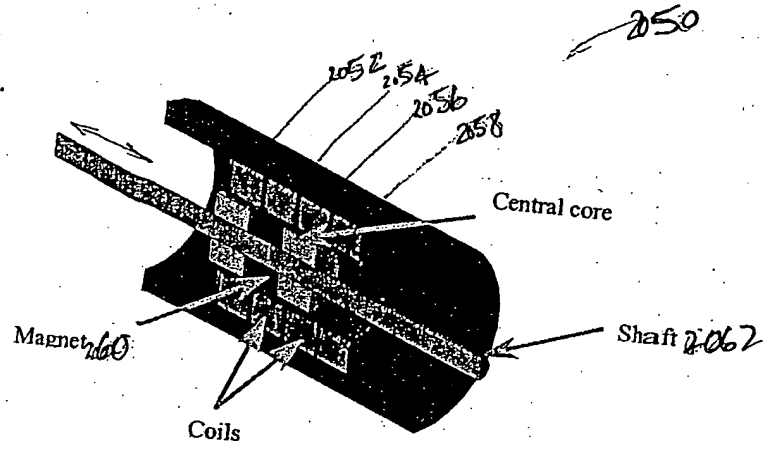


FIG-138

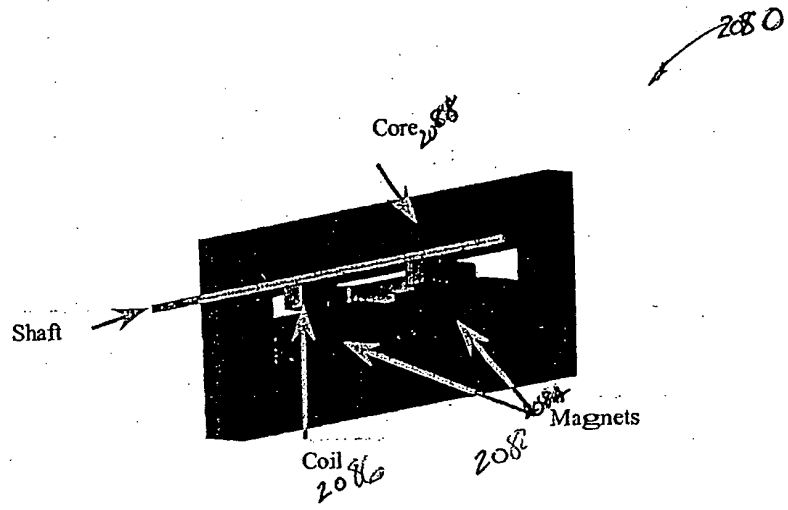


Fig 139

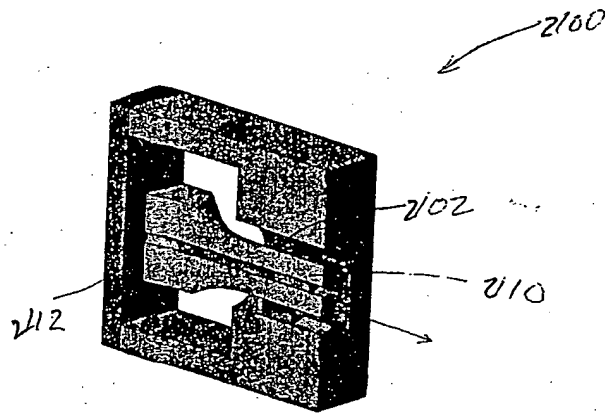


FIG. 140

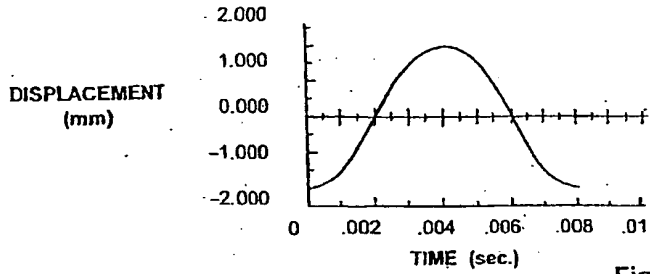


Fig. 141

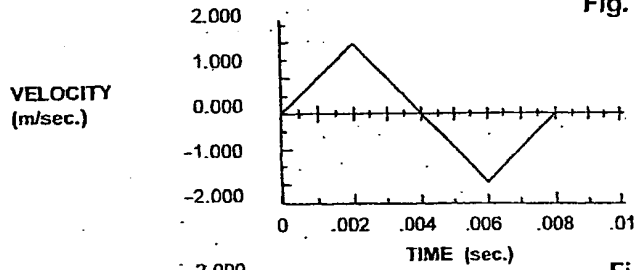


Fig. 142

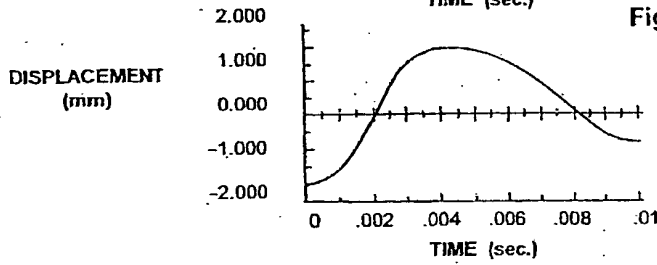


Fig. 143

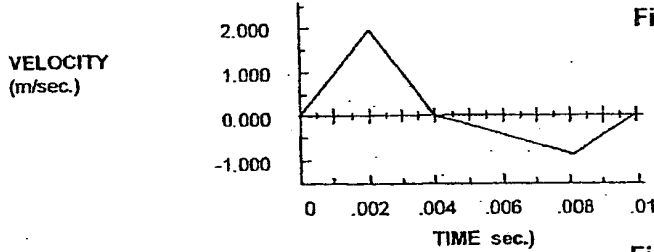


Fig. 144

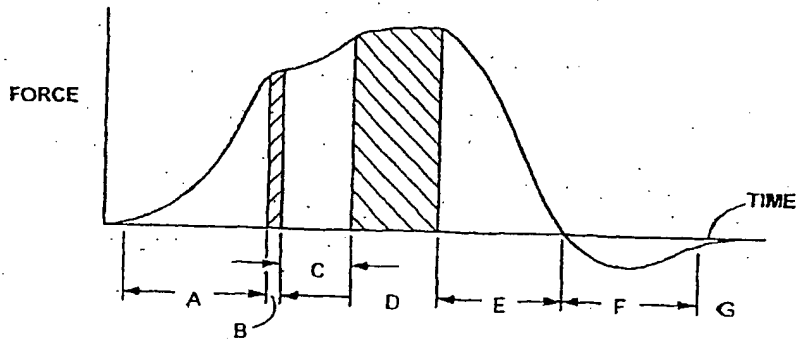


Fig. 145

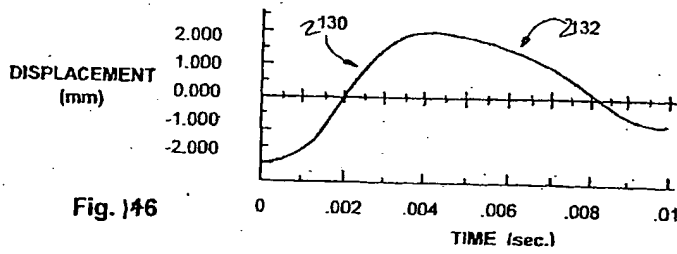


Fig. 146

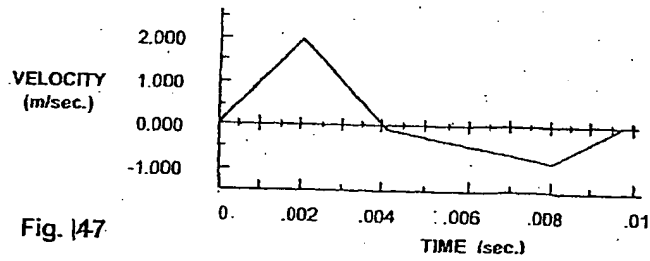


Fig. 147

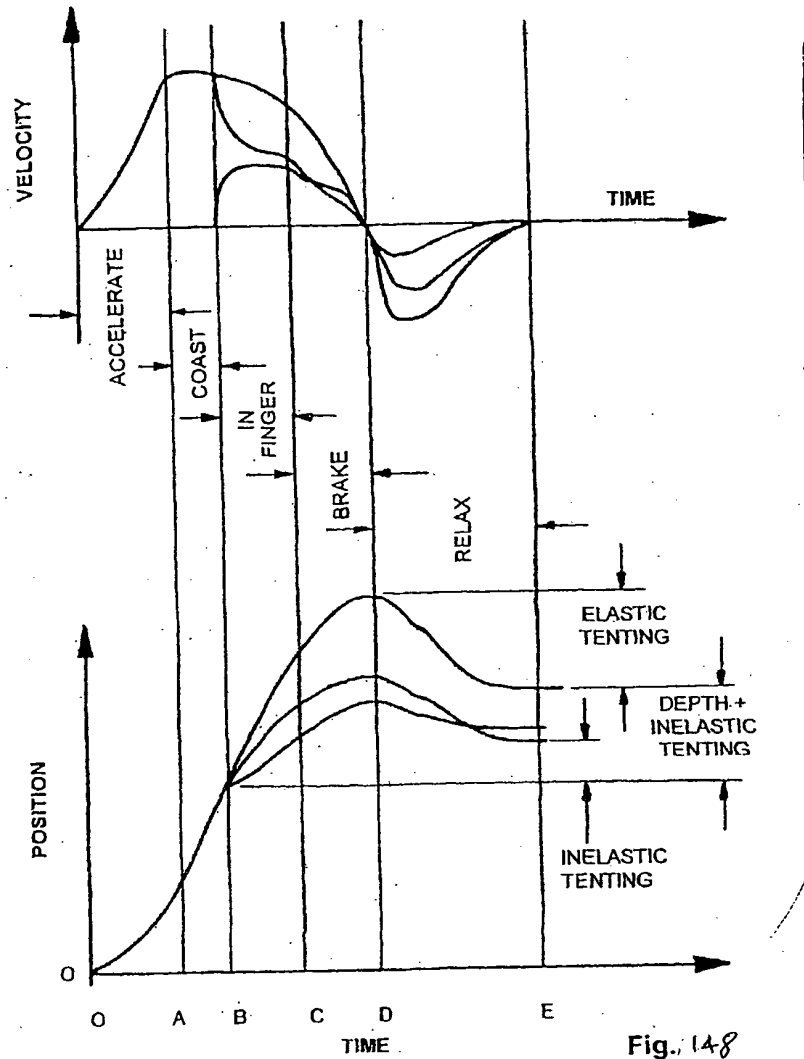


Fig. 148

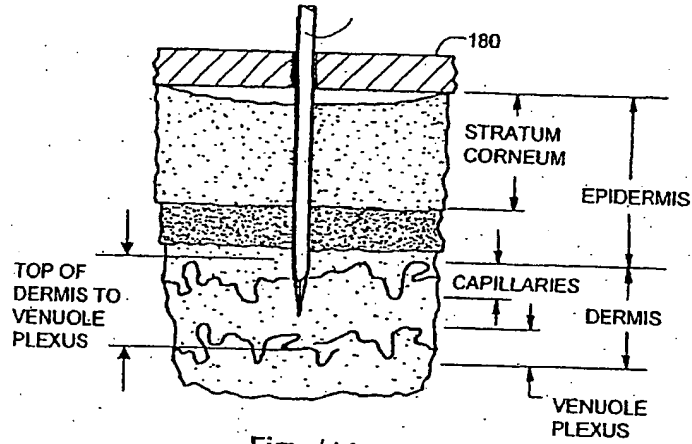


Fig. 149

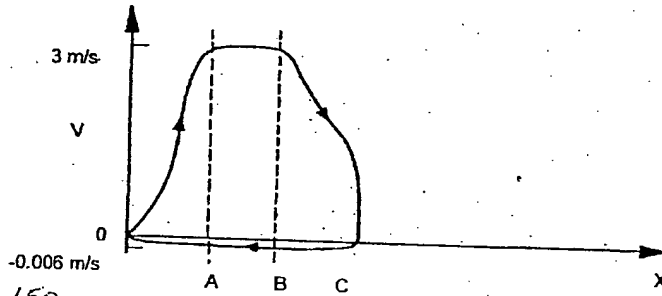


Fig. 150

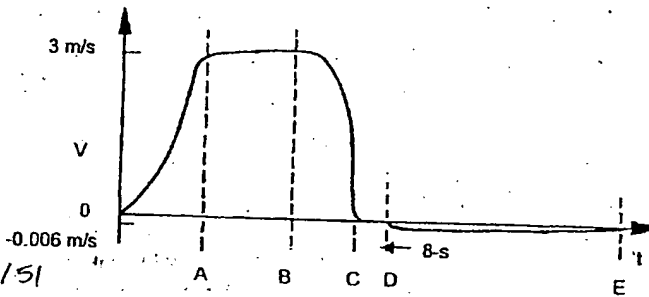


Fig. 151

BLANK PAGE